

CTCDRH74CF Series

From 10 μ H to 1000 μ H

ENGINEERING KIT #38F



CHARACTERISTICS

- Description:** SMD (shielded) power inductor.
- Applications:** Power supplies for OA equipment, LCD televisions, PC notebooks, portable communication equipment, DC/DC converters, etc.
- Operating Temperature:** -40°C to +85°C
- Inductance Tolerance:** $\pm 20\%$
- Testing:** Inductance is tested on an HP4284A at 1.0KHz, 0.25V.
- Packaging:** Tape & Reel.
- Marking:** Parts are marked with inductance code.
- Miscellaneous:** Magnetically shielded.
- Miscellaneous:** **RoHS Compliant.**
- Additional Information:** Additional electrical & physical information available upon request.
- Samples available. See website for ordering information.**

SPECIFICATIONS

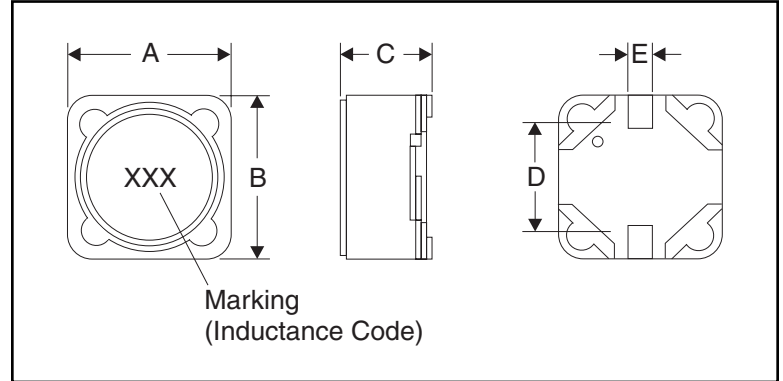
Parts are available in $\pm 20\%$ tolerance only.

*Indicates the current when the inductance decreases to 75% over it's nominal value of DC current when the temperature rising $\Delta T=40^\circ\text{C}$ lower, whichever is lower.

| Part Number | Inductance (μ H) | L Test Freq. (KHz) | DCR Max. (Ω) | *IDC Max. (A) |
|-----------------|-----------------------|--------------------|-----------------------|---------------|
| CTCDRH74CF-100M | 10 | 1.0 | 0.049 | 1.84 |
| CTCDRH74CF-120M | 12 | 1.0 | 0.058 | 1.71 |
| CTCDRH74CF-150M | 15 | 1.0 | 0.081 | 1.47 |
| CTCDRH74CF-180M | 18 | 1.0 | 0.091 | 1.31 |
| CTCDRH74CF-220M | 22 | 1.0 | 0.11 | 1.23 |
| CTCDRH74CF-270M | 27 | 1.0 | 0.15 | 1.12 |
| CTCDRH74CF-330M | 33 | 1.0 | 0.17 | 0.96 |
| CTCDRH74CF-390M | 39 | 1.0 | 0.23 | 0.91 |
| CTCDRH74CF-470M | 47 | 1.0 | 0.26 | 0.88 |
| CTCDRH74CF-560M | 56 | 1.0 | 0.35 | 0.75 |
| CTCDRH74CF-680M | 68 | 1.0 | 0.38 | 0.69 |
| CTCDRH74CF-820M | 82 | 1.0 | 0.43 | 0.61 |
| CTCDRH74CF-101M | 100 | 1.0 | 0.61 | 0.60 |
| CTCDRH74CF-121M | 120 | 1.0 | 0.66 | 0.52 |
| CTCDRH74CF-151M | 150 | 1.0 | 0.88 | 0.46 |
| CTCDRH74CF-181M | 180 | 1.0 | 0.98 | 0.42 |
| CTCDRH74CF-221M | 220 | 1.0 | 1.17 | 0.36 |
| CTCDRH74CF-271M | 270 | 1.0 | 1.64 | 0.34 |
| CTCDRH74CF-331M | 330 | 1.0 | 1.86 | 0.32 |
| CTCDRH74CF-391M | 390 | 1.0 | 2.85 | 0.29 |
| CTCDRH74CF-471M | 470 | 1.0 | 3.01 | 0.26 |
| CTCDRH74CF-561M | 560 | 1.0 | 3.62 | 0.23 |
| CTCDRH74CF-681M | 680 | 1.0 | 4.63 | 0.22 |
| CTCDRH74CF-821M | 820 | 1.0 | 5.20 | 0.20 |
| CTCDRH74CF-102M | 1000 | 1.0 | 6.00 | 0.18 |

PHYSICAL DIMENSIONS

| Size | A Max. | B Max. | C Max. | D | E |
|--------|--------|--------|--------|------------------|------------------|
| mm | 7.8 | 7.8 | 4.5 | 4.4 \pm 0.5 | 1.5 \pm 0.5 |
| inches | 0.31 | 0.31 | 0.18 | 0.173 \pm 0.02 | 0.059 \pm 0.02 |



PAD LAYOUT

