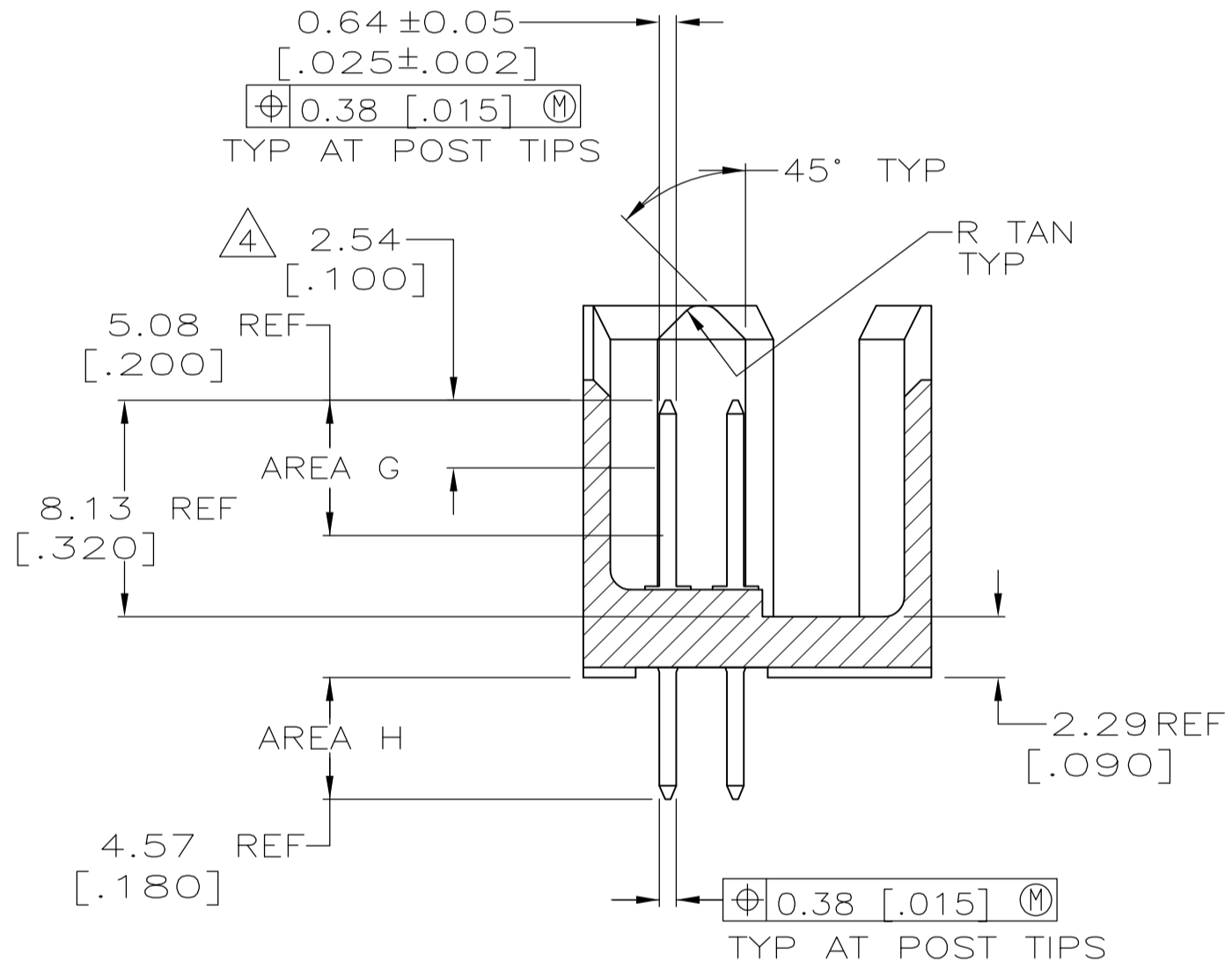
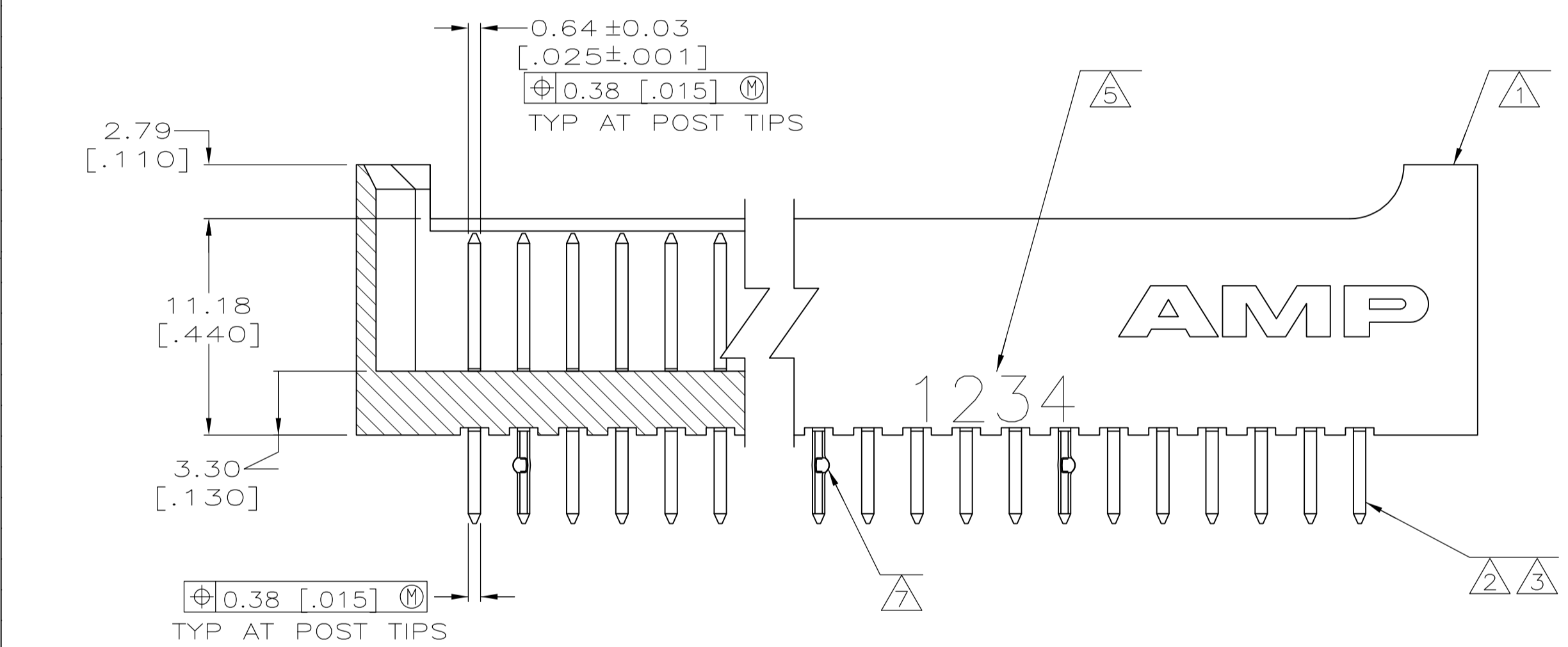
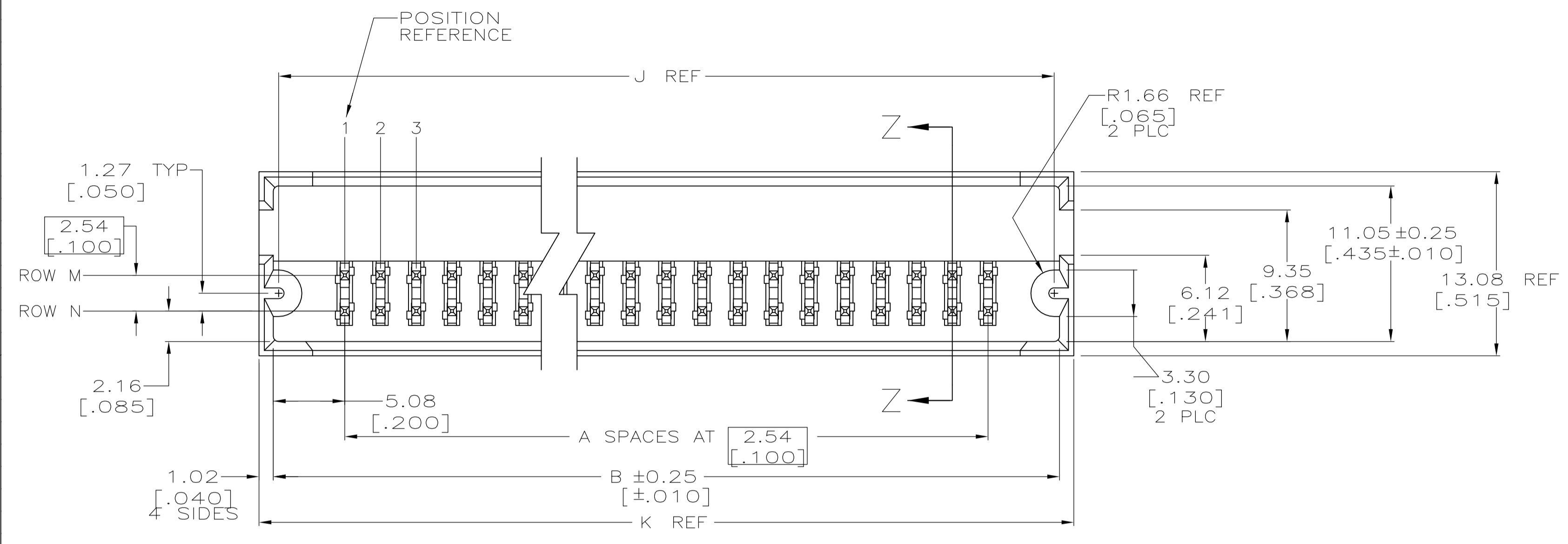
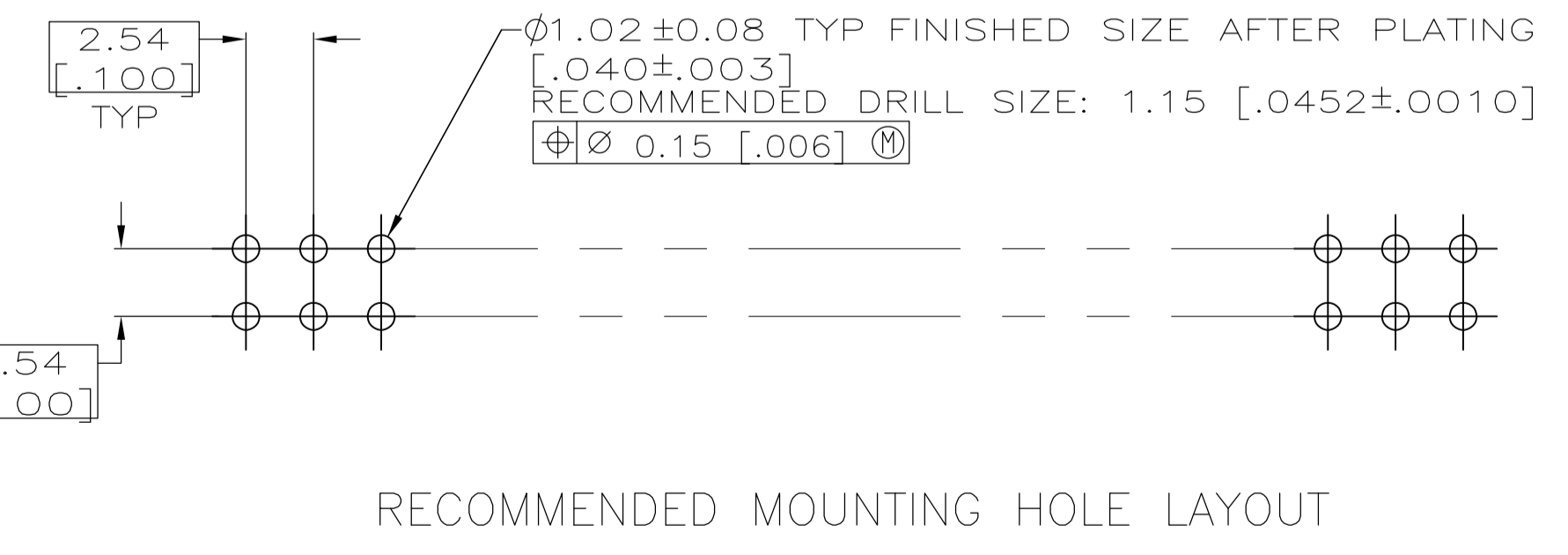


LOC		DIST		REVISIONS			
AD	39	REV	DESCRIPTION	DATE	BY	APPV	
		N2	ECO-07-016583	11DEC07	MB	JO	
		N3	REVISED PER ECO-10-000443	12JAN10	KK	AEG	



SECTION Z-Z
ROTATED 90° CW



- 1 HOUSING: FLAME RETARDANT THERMOPLASTIC; COLOR: BLACK.
- 2 POST: COPPER ALLOY.
- 3 POST FINISH: 0.00038 [0.00015] GOLD IN AREA G, 0.00254-0.00508 [0.00100-0.00200] BRIGHT TIN-LEAD IN AREA H, ALL OVER 0.00127 [0.00050] NICKEL.
- 4 POINT OF MEASUREMENT FOR PLATING THICKNESS.
- 5 RECESSED DATE CODE.
- 6 CSA LOGO RECESS STAMPED ON HOUSING.
- 7 BOARD RETENTION FEATURE WHERE INDICATED.
- 8 POST FINISH: 0.00038 [0.00015] GOLD IN AREA G, 0.00254-0.00508 [0.00100-0.00200] MATTE TIN IN AREA H, ALL OVER 0.00127 [0.00050] NICKEL.
- 9 ROHS 2002/95/EC COMPLIANT
- 10 OBSOLETE PARTS: OBSOLETE CIS STREAMLINING PER D.RENAUD/D.SINISI

REV	DESCRIPTION	DATE	BY	APPV	REV	DESCRIPTION	DATE	BY	APPV	
10	OBSOLETE	2,23,67,99	2,23,67,99	263.65	260.86	261.62	99	200	9	6-534257-9
10	OBSOLETE	1,2,5,6	1,2,5,6	10.380	10.270	10.300	5	12	9	6-534257-8
10	OBSOLETE	1,2,6,7,11,12	1,2,6,7,11,12	40.13	37.34	38.10	11	24	9	6-534257-7
10	OBSOLETE	1,2,12,13,24,25	1,2,12,13,24,25	1.580	1.470	1.500	24	50	9	6-534257-6
10	OBSOLETE	8, 13, 18	8, 13, 18	2.880	2.770	2.800	24	50	9	6-534257-5
10	OBSOLETE	3, 4, 5	3, 4, 5	2.880	2.770	2.800	7	16	9	6-534257-4
10	OBSOLETE	2, 24, 47	2, 24, 47	131.57	128.78	129.54	47	96	9	6-534257-3
10	OBSOLETE	2, 18, 34	2, 18, 34	98.55	95.76	96.52	34	70	9	6-534257-2
10	OBSOLETE	2, 15, 29	2, 15, 29	85.85	83.06	83.82	29	60	9	6-534257-1
10	OBSOLETE	5, 10, 15	5, 10, 15	60.45	57.66	58.42	19	40	9	6-534257-0
10	OBSOLETE	4, 9, 14	4, 9, 14	55.37	52.58	53.34	17	36	9	6-534257-9
10	OBSOLETE	3, 8, 13	3, 8, 13	47.75	44.96	45.72	14	30	9	6-534257-8
10	OBSOLETE	5, 6, 7	5, 6, 7	40.13	37.34	38.10	11	24	9	6-534257-7
10	OBSOLETE	4, 5, 6	4, 5, 6	35.05	32.26	33.02	9	20	9	6-534257-6
10	OBSOLETE	2, 3, 4	2, 3, 4	24.89	22.10	22.86	5	12	9	6-534257-5
10	OBSOLETE	2, 27, 53, 79	2, 27, 53, 79	212.85	210.06	210.82	79	160	9	6-534257-4
10	OBSOLETE	2, 20, 40, 59	2, 20, 40, 59	162.05	159.26	160.02	59	120	9	6-534257-3
10	OBSOLETE	2, 17, 33, 49	2, 17, 33, 49	136.65	133.86	134.62	49	100	9	6-534257-2
10	OBSOLETE	2, 20, 39	2, 20, 39	111.25	108.46	109.22	39	80	9	6-534257-1
10	OBSOLETE	2,23,67,99	2,23,67,99	10.380	10.270	10.300	99	200	1	534257-9
10	OBSOLETE	1,2,5,6	1,2,5,6	9.801	9.701	9.901	5	12	1	534257-8
10	OBSOLETE	1,2,6,7,11,12	1,2,6,7,11,12	40.13	37.34	38.10	11	24	1	534257-7
10	OBSOLETE	1,2,12,13,24,25	1,2,12,13,24,25	1.580	1.470	1.500	24	50	1	534257-6
10	OBSOLETE	8, 13, 18	8, 13, 18	2.880	2.770	2.800	24	50	1	534257-5
10	OBSOLETE	3, 4, 5	3, 4, 5	2.880	2.770	2.800	7	16	1	534257-4
10	OBSOLETE	2, 24, 47	2, 24, 47	131.57	128.78	129.54	47	96	1	534257-3
10	OBSOLETE	2, 18, 34	2, 18, 34	98.55	95.76	96.52	34	70	1	534257-2
10	OBSOLETE	2, 15, 29	2, 15, 29	85.85	83.06	83.82	29	60	1	534257-1
10	OBSOLETE	5, 10, 15	5, 10, 15	60.45	57.66	58.42	19	40	1	534257-0
10	OBSOLETE	4, 9, 14	4, 9, 14	55.37	52.58	53.34	17	36	1	534257-9
10	OBSOLETE	3, 8, 13	3, 8, 13	47.75	44.96	45.72	14	30	1	534257-8
10	OBSOLETE	5, 6, 7	5, 6, 7	40.13	37.34	38.10	11	24	1	534257-7
10	OBSOLETE	4, 5, 6	4, 5, 6	35.05	32.26	33.02	9	20	1	534257-6
10	OBSOLETE	2, 3, 4	2, 3, 4	24.89	22.10	22.86	5	12	1	534257-5
10	OBSOLETE	2, 27, 53, 79	2, 27, 53, 79	212.85	210.06	210.82	79	160	1	534257-4
10	OBSOLETE	2, 20, 40, 59	2, 20, 40, 59	162.05	159.26	160.02	59	120	1	534257-3
10	OBSOLETE	2, 17, 33, 49	2, 17, 33, 49	136.65	133.86	134.62	49	100	1	534257-2
10	OBSOLETE	2, 20, 39	2, 20, 39	111.25	108.46	109.22	39	80	1	534257-1

THIS DRAWING IS A CONTROLLED DOCUMENT.		DIN K.L.CLOUSER/UTA 4/8/91		Tyco Electronics Corporation	
DIMENSIONS: INCHES		TOLERANCES UNLESS OTHERWISE SPECIFIED:		Harrisburg, PA 17105-3608	
0 PLC	± .001	1 PLC	± .002	PRODUCT SPEC	
2 PLC	± .003	3 PLC	± .005	APPLICATION SPEC	
4 PLC	± .007	ANGLES	± .001	SIZE	
MATERIAL		FINISH		WEIGHT	
SEE TABLE		SEE TABLE		SCALE	
CUSTOMER DRAWING		DRAWING NO.		SHEET	
A1		00779		1 of 1	
REV		DATE		REV	
N3		4/8/91		N3	