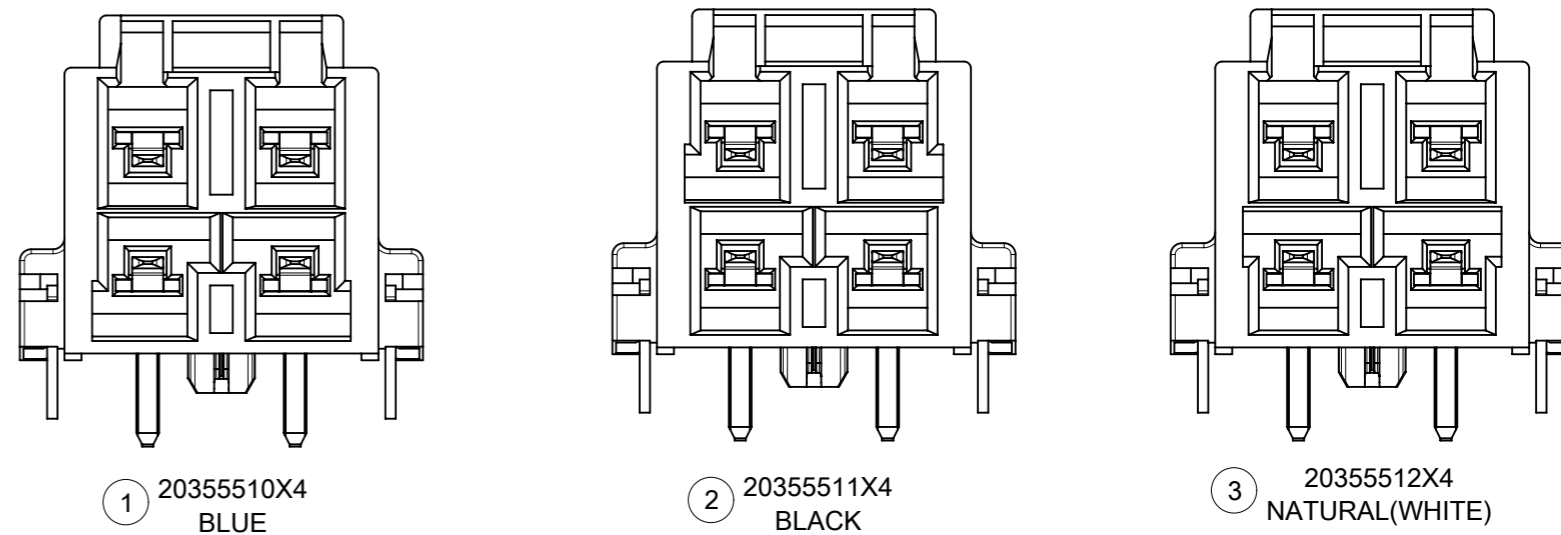
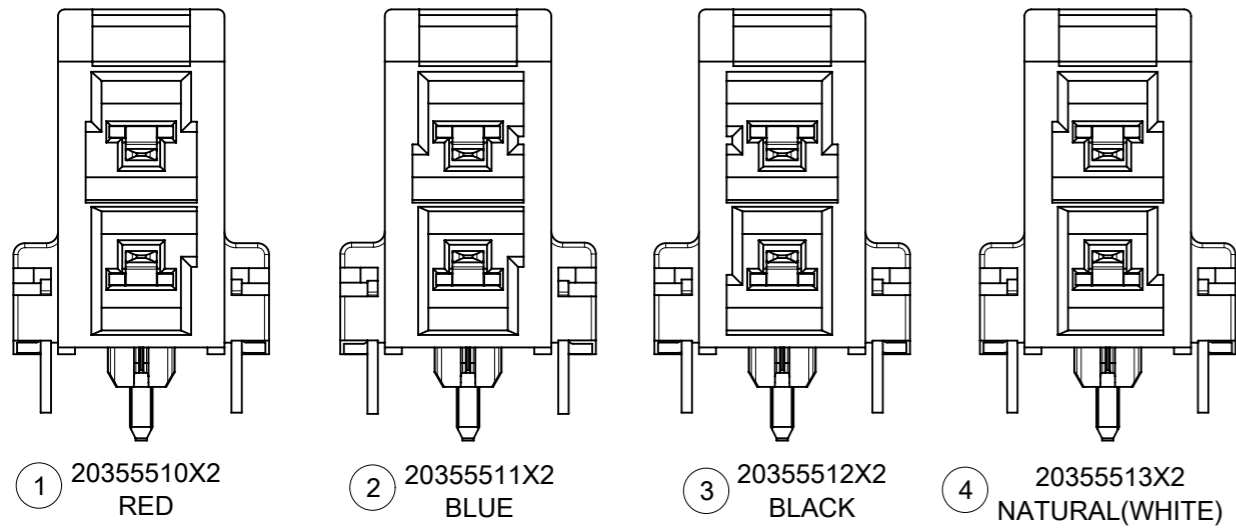
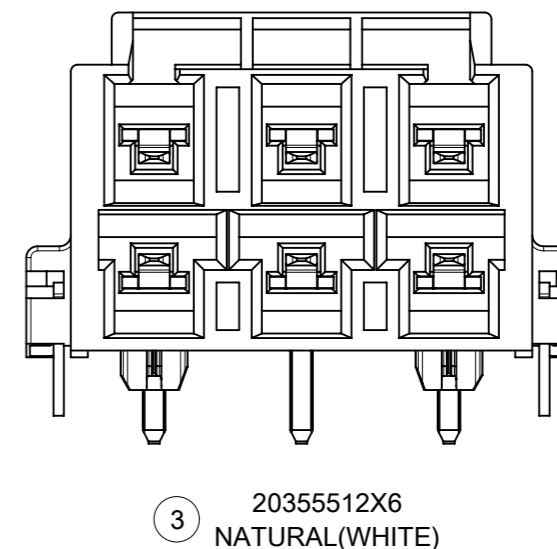
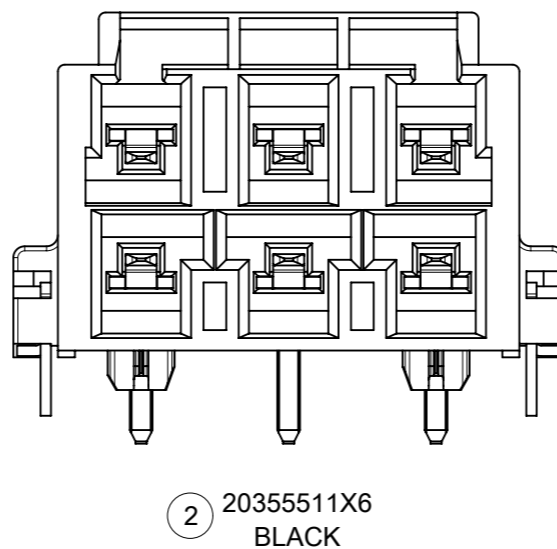
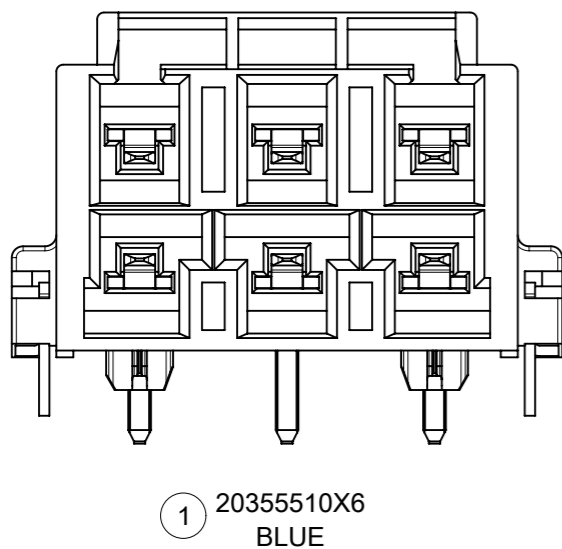


HEADER ASSEMBLY WITH POLARIZATION FEATURES AND COLORS 2 CIRCUIT

HEADER ASSEMBLY WITH POLARIZATION FEATURES AND COLORS 4 CIRCUIT



HEADER ASSEMBLY WITH POLARIZATION FEATURES AND COLORS 6 CIRCUIT



LEGEND

203555 X X X X

- CKT SIZE
- PACKAGING SPEC(TUBE=1/TAPE & REEL=2)
- COLOR (POLARIZATION)
- THRU HOLE=1 / SMT=2
- CP6.5 R/A HEADER ASSY

NUMBER	COLOR	
	2 CKT	4 & 6 CKT
0	RED	BLUE
1	BLUE	BLACK
2	BLACK	NATURAL (WHITE)
3	NATURAL (WHITE)	---

SYMBOLS	THIS DRAWING CONTAINS INFORMATION THAT IS PROPRIETARY TO MOLEX ELECTRONIC TECHNOLOGIES, LLC AND SHOULD NOT BE USED WITHOUT WRITTEN PERMISSION			
	DIMENSION UNITS	SCALE		
▽ = 0	mm	4:1	EC NO: 611981	CP6.5 R/A HEADER ASSY THRU HOLE WIRE TO BOARD CONNECTOR PRODUCT CUSTOMER DRAWING
▽ = 0	GENERAL TOLERANCES (UNLESS SPECIFIED)		DRWN: SMAHAJANSHET 2019/03/27	
▽ = 0	ANGULAR TOL ± 3.0°		CHK'D: NCSR 2019/04/26	
▽ = 0	4 PLACES ±		APPR: NCSR 2019/04/26	DOCUMENT NUMBER
▽ = 0	3 PLACES ±		INITIAL REVISION:	2035551000-SD
▽ = 0	2 PLACES ± 0.2		DRWN: SMAHAJANSHET 2019/02/08	DOC TYPE
▽ = 0	1 PLACE ±		APPR: NCSR 2019/02/26	PSD
▽ = 0	0 PLACES ±			000
☒ = 0	DRAFT WHERE APPLICABLE MUST REMAIN WITHIN DIMENSIONS		THIRD ANGLE PROJECTION	SHEET NUMBER
▽ = 0			DRAWING	A1
			SERIES	3 OF 3
			MATERIAL NUMBER	
			CUSTOMER	
			SEE TABLE	
			GENERAL MARKET	