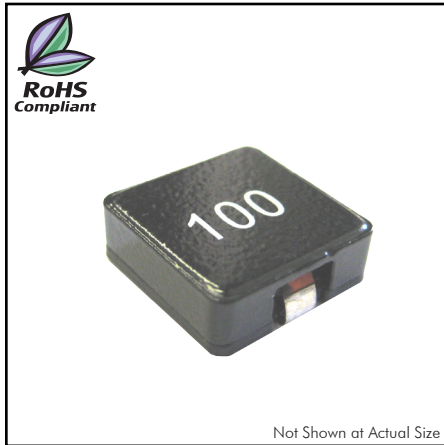


CTSFW1350F Series

From .19 μ H to 10 μ H



CHARACTERISTICS

Description: SMD flat wire high current power inductors

Features:

- Magnetic shielded structure, excellent resistance to electromagnetic interference
- Flat wire winding, achieve a low DC resistance
- Lightweight design, save space, suitable for high density SMT
- **Applications:** Low loss, high efficiency, wide application frequency, and application scope

Operating Temperature: -55°C to +150°C

Inductance Tolerance: $\pm 20\%$

Testing: Inductance at 100kHz, 0.1V

Packaging: Tape & Reel

Miscellaneous: RoHS Compliant

Additional Information: Additional electrical & physical information available upon request

Samples available. See website for ordering information.

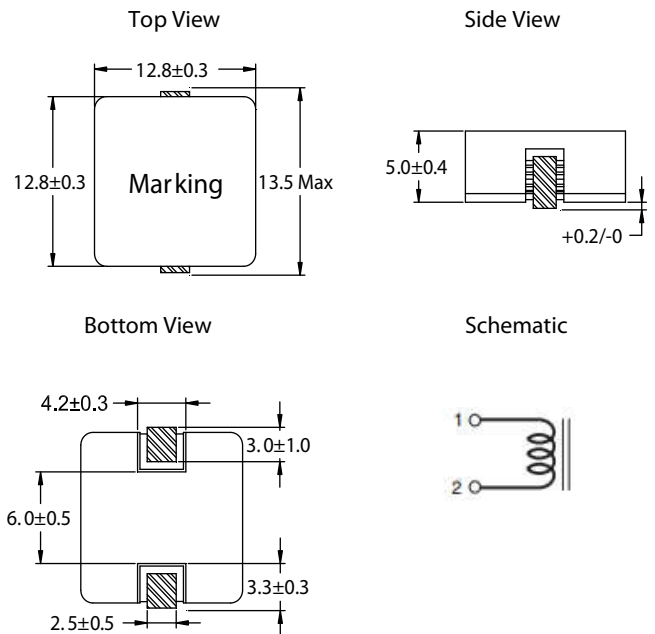
SPECIFICATIONS

*Isat: Value of inductance decrease within 30%
 **Irms: A rise in temperature of core surface is within 50°C

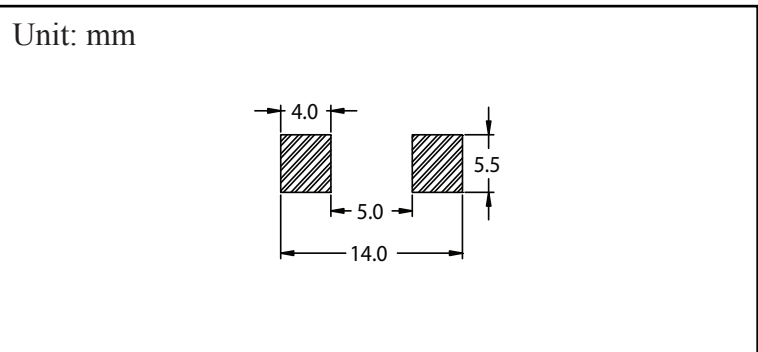
Part Number	Inductance $\pm 20\%$ (μ H)	DCR Nom.(Max.) (m Ω)	Isat(A) Drop $\leq 30\%$	Irms(A) Rise $\leq 50^\circ$ C
CTSFW1350F-R19M	0.19	0.50(0.55)	60.00	29.00
CTSFW1350F-R47M	0.47	0.90(0.99)	50.00	26.00
CTSFW1350F-R90M	0.90	1.60(1.76)	28.00	24.00
CTSFW1350F-1R4M	1.40	2.40(2.64)	26.00	22.00
CTSFW1350F-2R3M	2.30	3.70(4.07)	17.00	17.50
CTSFW1350F-3R2M	3.20	5.30(5.83)	15.00	16.00
CTSFW1350F-4R8M	4.80	10.50(11.55)	13.00	11.00
CTSFW1350F-6R0M	6.00	13.50(14.85)	11.50	9.50
CTSFW1350F-8R2M	8.20	11.60(12.76)	11.00	10.00
CTSFW1350F-100M	10.00	14.10(15.51)	10.00	8.50

PHYSICAL DIMENSIONS

Unit: mm

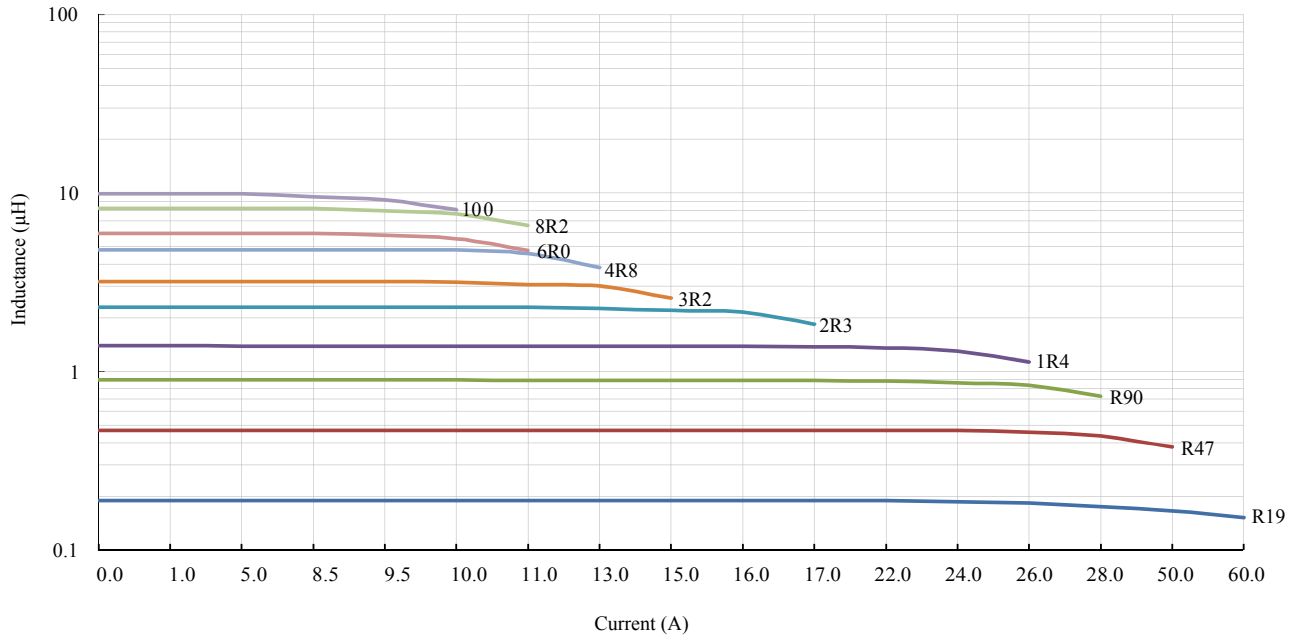


PAD LAYOUT



CTSFW1350F Series

Typical Inductance vs Current Characteristics



Typical Temperature Rise vs Current Characteristics

