

SPECIFICATIONS:

MATERIALS:

SHELL: NICKEL PLATED STEEL
 INSULATOR: PA6T, UL94 V-0
 PROCESS TEMP: 260°C
 CONTACTS: GOLD PLATED BRASS

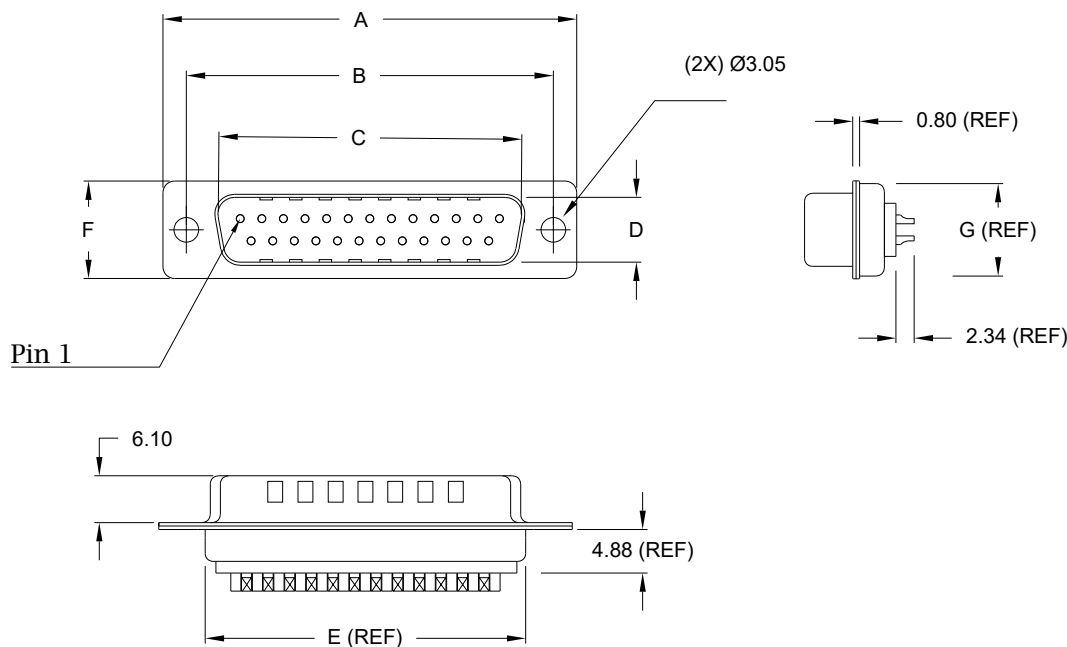
ELECTRICAL:

RATED CURRENT: 5A
 VOLTAGE: 500VAC FOR 1 MINUTE
 INSULATION RESISTANCE: 1000 MOhms MIN.
 CONTACT RESISTANCE: 15 mOhms MAX.

ENVIRONMENT:

OPERATING TEMPERATURE: -50°C TO +100°C

DIMENSIONS(mm)							
SIZE	A±.36	B±.10	C±.15	D±.15	E±.38	F±.25	G (REF)
9	30.80	24.99	17.00	8.40	19.20	12.60	10.75
15	39.15	33.32	25.30	8.40	27.70	12.60	10.75
25	53.04	47.04	39.00	8.40	41.10	12.60	10.75
37	69.32	63.50	55.40	8.40	57.30	12.60	10.75
50	66.93	61.11	52.80	11.10	55.10	15.20	13.30



172-YYY-103RYY1

SERIES _____
 POSITIONS _____
 009
 015
 025
 037
 050
 GENDER _____
 1 = MALE
 TERMINATION _____
 0 = SOLDER CUP
 SHELL PLATING _____
 3 = NICKEL (GROUND INDENTS)
 HARDWARE OPTIONS _____
 00 = NO HARDWARE
 01 = .098" CLINCH NUT (SOLDER SIDE)
 02 = .236" CLINCH NUT (SOLDER SIDE)
 03 = .236" CLINCH NUT (MATING SIDE)
 05 = .237" 4-40 BOARD LOCK
 91 = .237" 4-40 SPACER/ BOARD LOCK
 PLATING OPTIONS _____
 1 = GOLD FLASH
 2 = 30MICRO-INCH GOLD

WILL ACCEPT 26-20 AWG WIRE

RoHS COMPLIANT

UNITS = mm

DO NOT SCALE FROM DRAWING



THESE DRAWINGS AND SPECIFICATIONS ARE THE PROPERTY OF NorComp AND SHALL NOT BE REPRODUCED, COPIED OR USED AS THE BASIS FOR THE MANUFACTURE OR SALE OF APPARATUS WITHOUT WRITTEN PERMISSION.

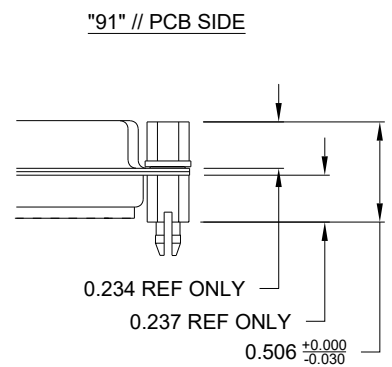
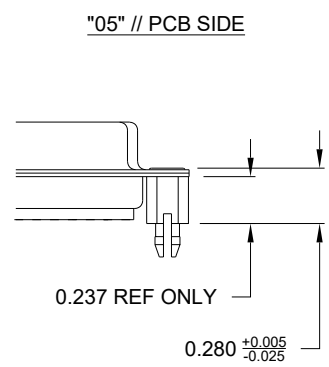
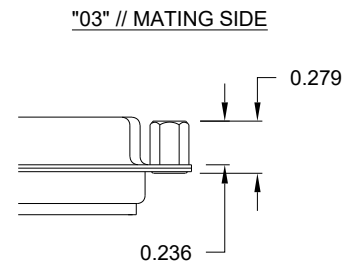
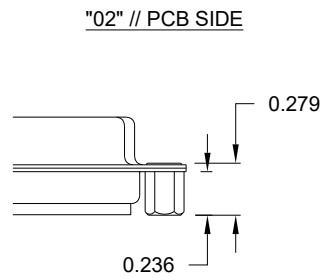
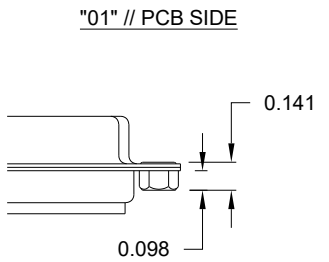
DRAWN: P. JENKINS
 DATE: 08/24/1998

NorComp

SCALE: NTS
 SHEET 1 OF 2
 REV 16
 DWG NO. 172-YYY-103RYY1

TOLERANCE:
 ALL DIMENSIONS ARE ± 0.010
 UNLESS OTHERWISE
 SPECIFIED

ALL CLINCH-NUTS ARE 4-40 INTERNAL THREADS



NOTE: 4-40 FEMALE SCREW LOCK IS REMOVABLE

50 in-oz
 Max Torque

RoHS COMPLIANT

UNITS = inch

DO NOT SCALE FROM DRAWING



THESE DRAWINGS AND SPECIFICATIONS ARE THE PROPERTY OF NorComp AND SHALL NOT BE REPRODUCED, COPIED OR USED AS THE BASIS FOR THE MANUFACTURE OR SALE OF APPARATUS WITHOUT WRITTEN PERMISSION.

DRAWN:
 P. JENKINS
 DATE:
 08/24/1998

NorComp

SCALE: NTS	SHEET 2	OF 2	REV 16
DWG NO. 172-YYY-103RYY1			