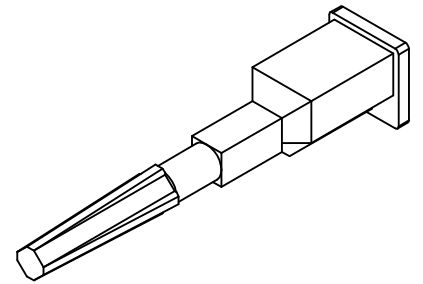


PART NO.	ENG. NO.	MATERIAL (SEE NOTE 1)	COLOR (SEE NOTE 1)
15-04-0211	42232-BA	B	A

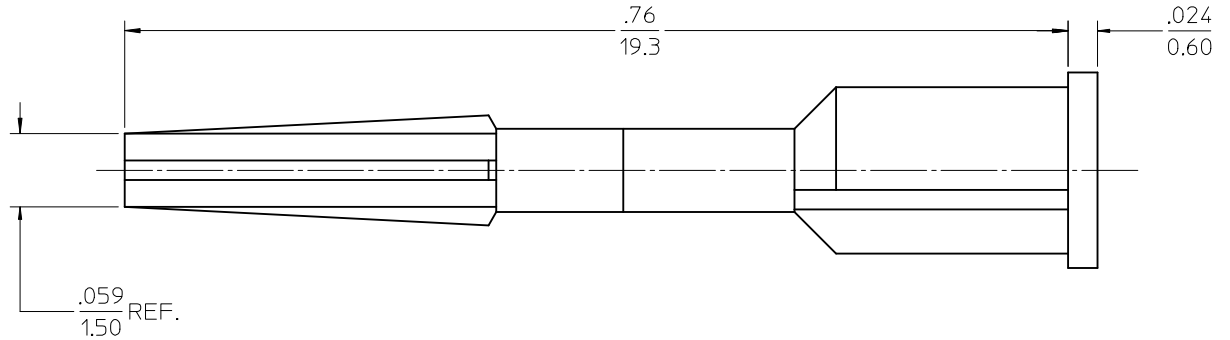
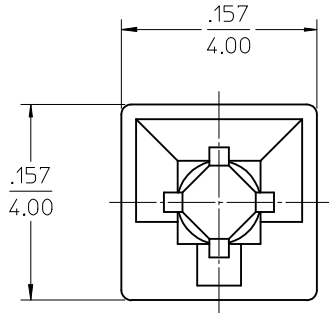
LEGEND

42232-***

BASE NO. _____
 MATERIAL _____
 COLOR _____



ISO VIEW
SCALE 5:1



NOTES:

1. MATERIAL: "B"=NYLON 6/6, UL 94V-0; COLOR: "A"=NATURAL
2. FINISH: NONE
3. PRODUCT SPECIFICATION: NONE
4. PACKAGING: PK-42232-001.
5. THIS PART FOR USE WITH MOLEX RECEPTACLE NO. 5557, 30067, 42474 AND 44516.
6. KEY TO BE INSERTED FROM WIRE ENTRY SIDE OF RECEPTACLE HOUSING.
7. PART CONFORMS TO CLASS "B" REQUIREMENTS OF COSMETIC SPECIFICATION PS-45499-002.
8. TEXT ON PART IS FOR REFERENCE ONLY. TEXT AND TEXT LOCATION MAY VARY DEPENDING ON PART NUMBER AND/OR TOOL.

REV NOTE 5 & ADD NOTE 8 EC NO: UCP2017-2828 DRWN: JQUILES 2017/07/13 CHKD: JBELL 2017/07/13 APPR: FSMITH 2017/07/13 C2	QUALITY SYMBOLS ▽=0 ▽=0	GENERAL TOLERANCES (UNLESS SPECIFIED)		DIMENSION STYLE IN/MM		SCALE 10:1	DESIGN UNITS METRIC	THIRD ANGLE PROJECTION			
		4 PLACES ± --- ± ---	3 PLACES ± --- ± .010	2 PLACES ± 0.25 ± .015	1 PLACE ± 0.38 ± ---	DRAWN BY GEP	DATE 1992/03/31	POLARIZING KEY FOR MINI-FIT JR. SERIES RECEPTACLE			
		ANGULAR ±1/2°				CHECKED BY RJF	DATE 1992/03/31				
		DRAFT WHERE APPLICABLE MUST REMAIN WITHIN DIMENSIONS				APPROVED BY FSMITH	DATE 2010/03/08	MOLEX INCORPORATED		SHEET NO. 1 OF 1	
				MATERIAL NO. SEE CHART		DOCUMENT NO. SD-42232-***		THIS DRAWING CONTAINS INFORMATION THAT IS PROPRIETARY TO MOLEX INCORPORATED AND SHOULD NOT BE USED WITHOUT WRITTEN PERMISSION			