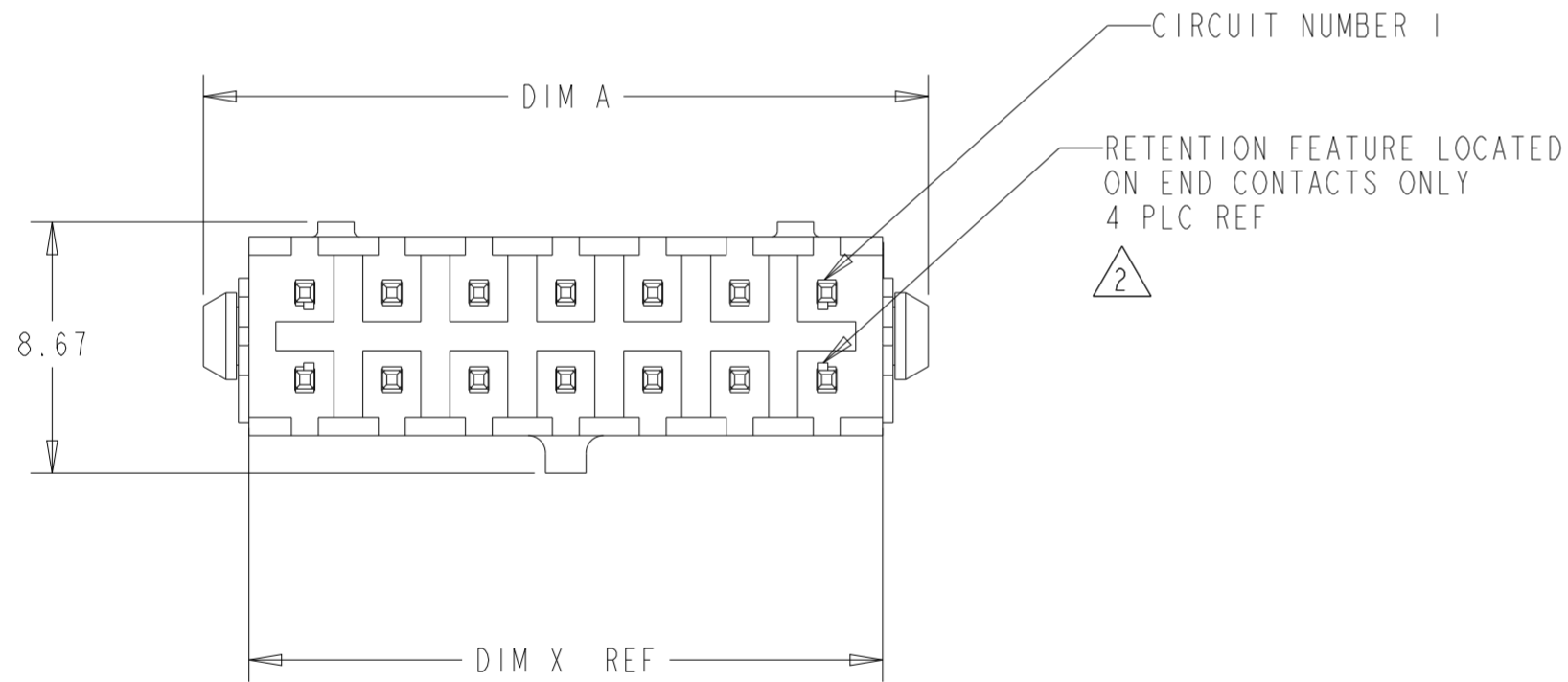
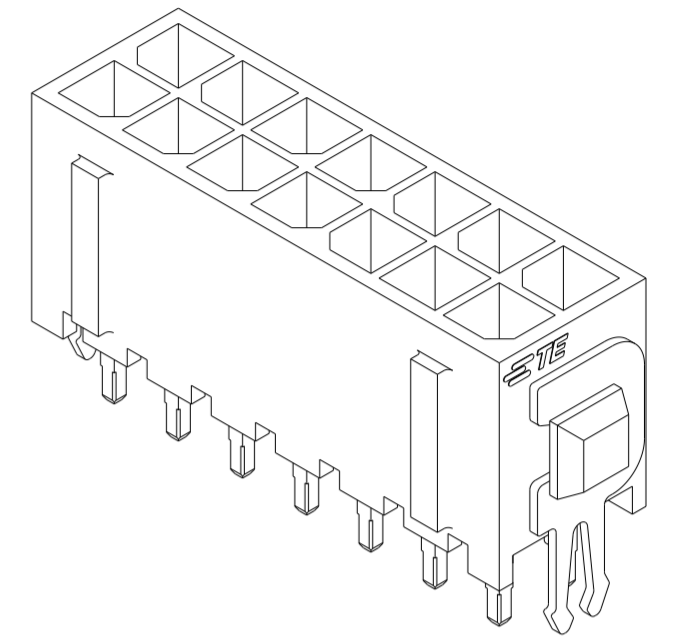
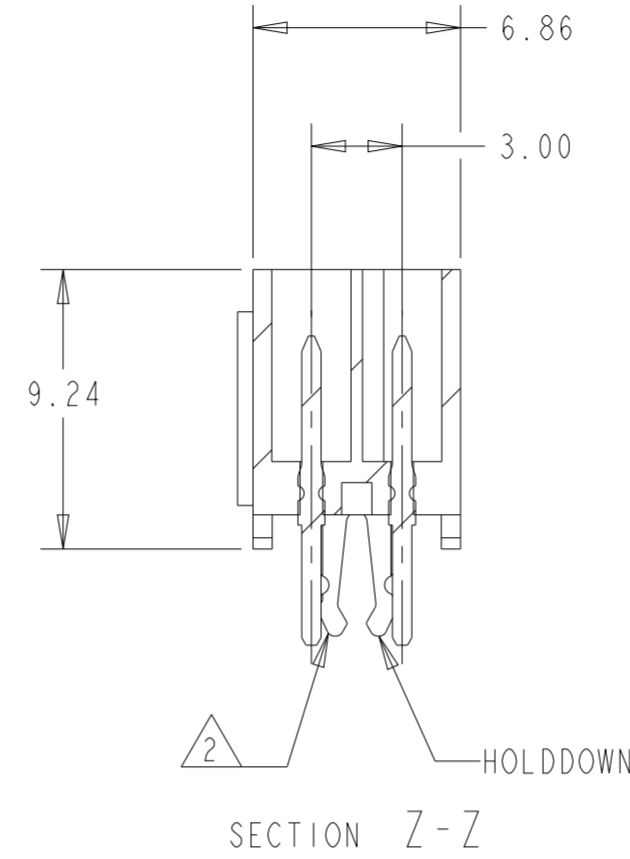
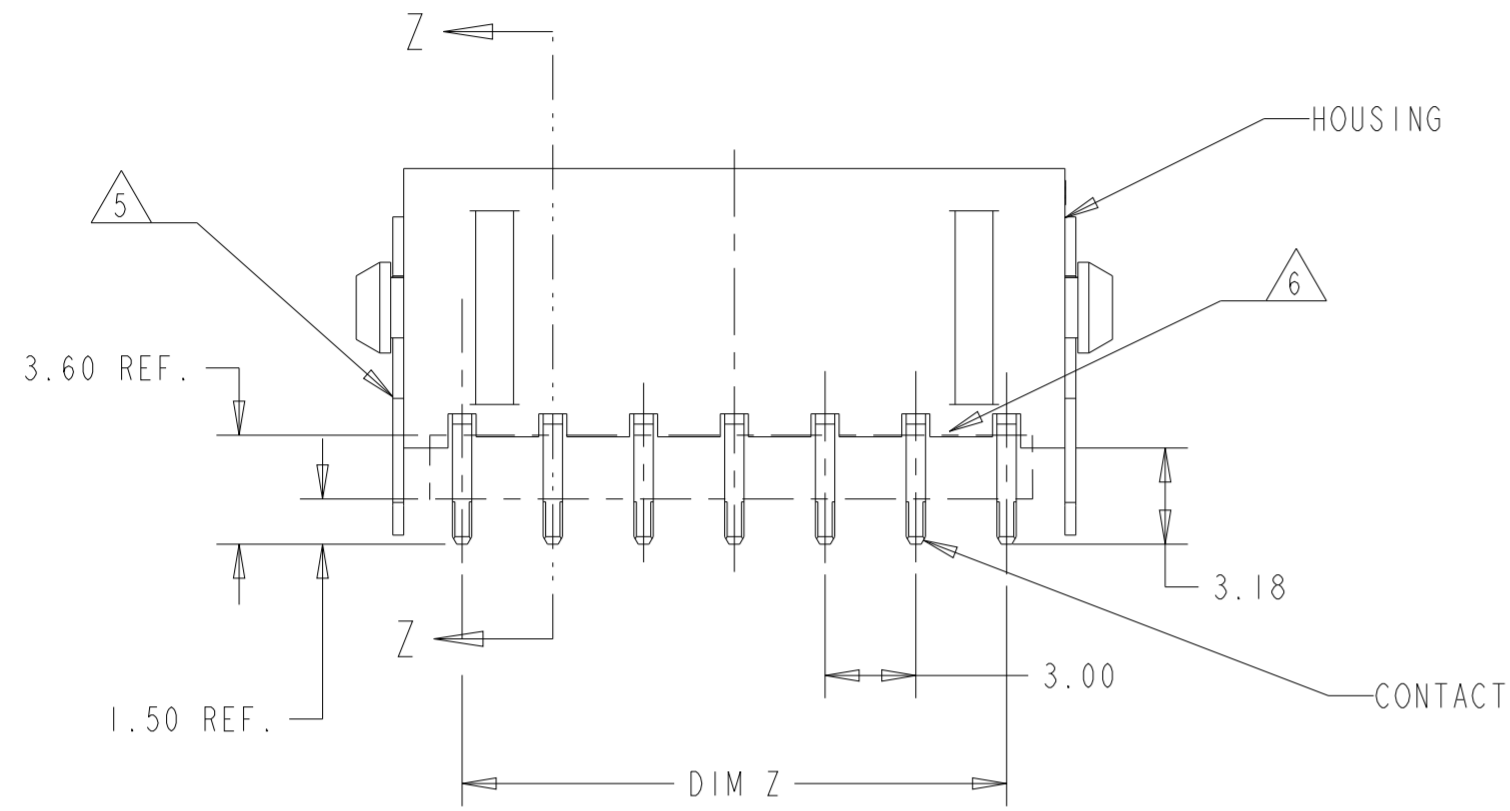


THIS DRAWING IS UNPUBLISHED. RELEASED FOR PUBLICATION 20
 © COPYRIGHT 20 BY - ALL RIGHTS RESERVED.

REVISIONS					
P	LTR	DESCRIPTION	DATE	DWN	APVD
	F5	REVISED PER ECN-22-160768	24JUN2022	WLS	VS



- 1 MATERIAL: HOUSING - UL 94V-0 RATED HIGH TEMP. NYLON, COLOR BLACK.
CONTACT - BRASS.
HOLD DOWNS - PHOSPHOR BRONZE.
- 2 MAXIMUM INSERTION 30 LBS.
- 3 RECOMMENDED BOARD THICKNESS 1.57.
- 4 FINISH: CONTACT - 2.54µm MINIMUM MATTE TIN OVER 1.27µm MINIMUM NICKEL.
HOLDDOWN - 2.54µm MINIMUM MATTE TIN OVER 1.27µm MINIMUM NICKEL.
- 5 ABSENT COMPONENT IN THIS SIDE ONLY.
- 6 CUTTING AREA REGION, NO PLATING IS PRESENT.
- 7 COUNTERPART RECOMMENDED IS PN 794617 (DASH ACCORDING TO NUMBER OF POSITION).
- 8 FOR REELLING DIRECTION AND PACKAGING TYPE, SEE SPECIFICATION 114-13000.

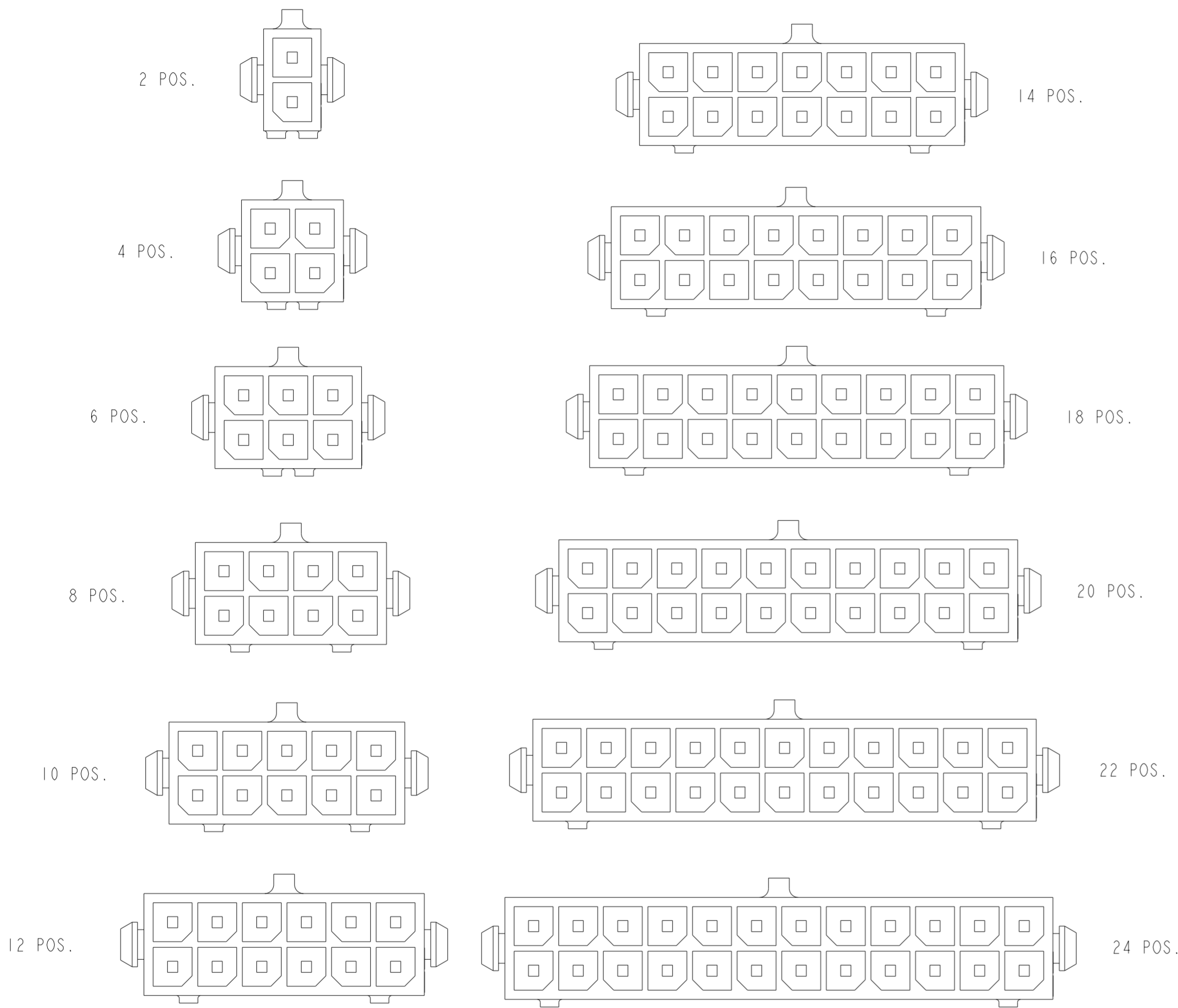
40.00	33.00	37.30	36.86	24	5-794680-4
37.00	30.00	34.30	33.86	22	5-794680-2
34.00	27.00	31.30	30.86	20	5-794680-0
31.00	24.00	28.30	27.86	18	4-794680-8
28.00	21.00	25.30	24.86	16	4-794680-6
25.00	18.00	22.30	21.86	14	4-794680-5
25.00	18.00	22.30	21.86	14	4-794680-4
22.00	15.00	19.30	18.86	12	4-794680-2
19.00	12.00	16.30	15.86	10	4-794680-0
16.00	9.00	13.30	12.86	8	3-794680-8
13.00	6.00	10.30	9.86	6	3-794680-6
10.00	3.00	7.30	6.86	4	3-794680-4
7.00	-	4.30	3.86	2	3-794680-2
DIM A	DIM Z	DIM Y	DIM X	NO. OF POSN.	ASSEMBLY

THIS DRAWING IS A CONTROLLED DOCUMENT.

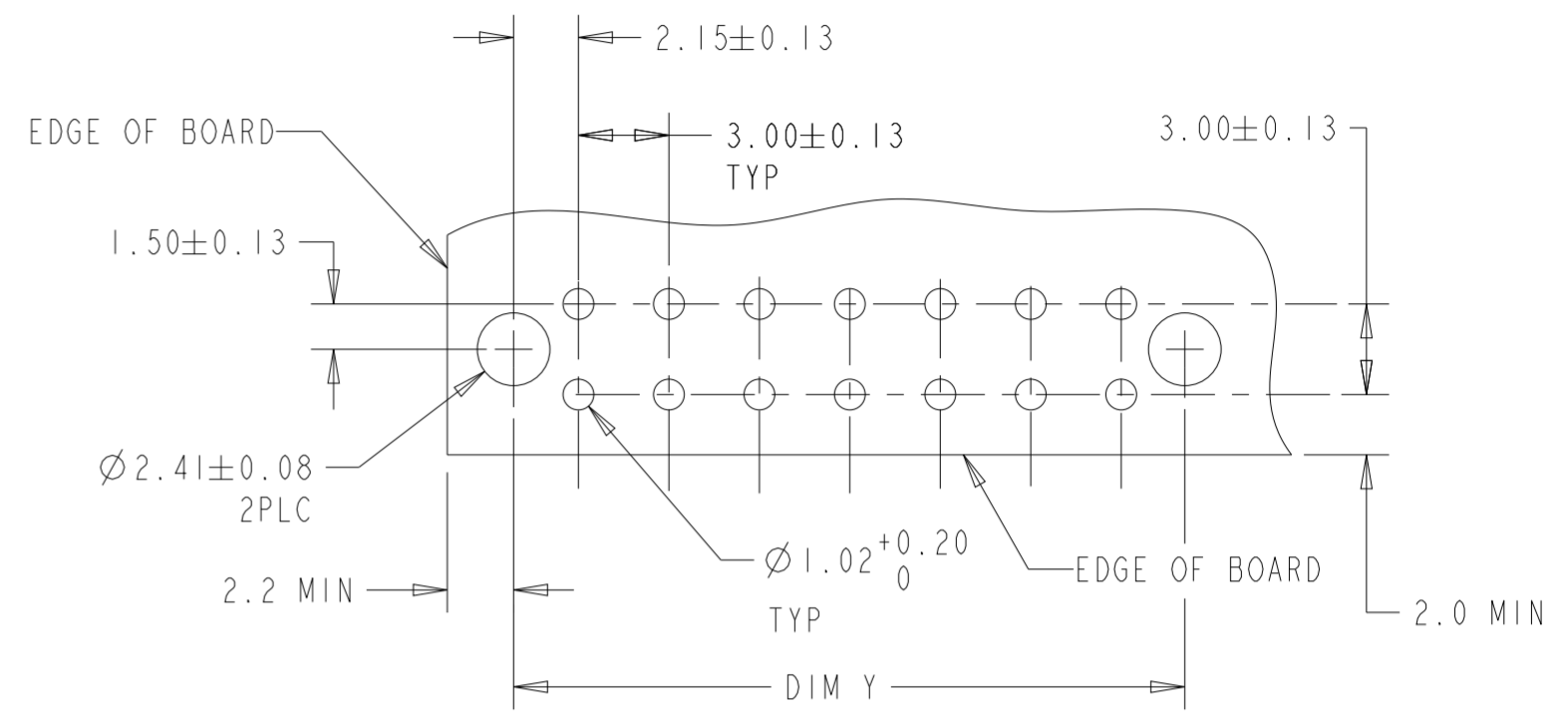
DIMENSIONS: mm	TOLERANCES UNLESS OTHERWISE SPECIFIED:	DWN S. HOOVER 23-MAR-2005	TE Connectivity
	0 PLC ±	CHK C. JONES 23-MAR-2005	
	1 PLC ±	APVD C. JONES 23-MAR-2005	
	2 PLC ±0.20	PRODUCT SPEC 108-1836	
MATERIAL	4 PLC ±	APPLICATION SPEC 114-13000	NAME VERTICAL HEADER ASSEMBLY, THRU HOLE, TIN, DUAL ROW, MICRO MATE-N-LOK(TM) SIZE A2 CAGE CODE 00779 DRAWING NO C-794680 WEIGHT - RESTRICTED TO - CUSTOMER DRAWING SCALE 4:1 SHEET 1 OF 2 REV F5

THIS DRAWING IS UNPUBLISHED. RELEASED FOR PUBLICATION 20
 © COPYRIGHT 20 BY - ALL RIGHTS RESERVED.

REVISIONS				
P	LTR	DESCRIPTION	DATE	APVD
-	-	SEE SHEET 1	-	-



KEYING BY POSITION SIZE



RECOMMENDED MOUNTING HOLE PATTERN

THIS DRAWING IS A CONTROLLED DOCUMENT.		DWN S. HOOVER 23-MAR-2005	TE Connectivity			
		CHK C. JONES 23-MAR-2005				
		APVD C. JONES 23-MAR-2005	NAME VERTICAL HEADER ASSEMBLY, THRU HOLE, TIN, DUAL ROW, MICRO MATE-N-LOK(TM)			
DIMENSIONS: mm		PRODUCT SPEC 108-1836	SIZE A2	CAGE CODE 00779	DRAWING NO. C-794680	RESTRICTED TO -
TOLERANCES UNLESS OTHERWISE SPECIFIED:		APPLICATION SPEC 114-13000	SCALE 4:1		SHEET 2 OF 2	REV F5
MATERIAL -		WEIGHT -	CUSTOMER DRAWING			