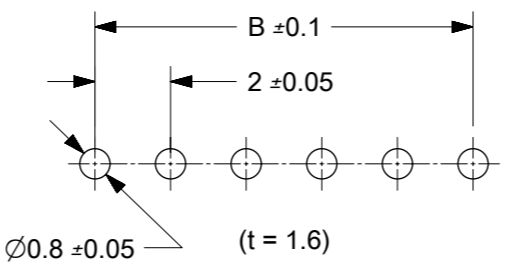
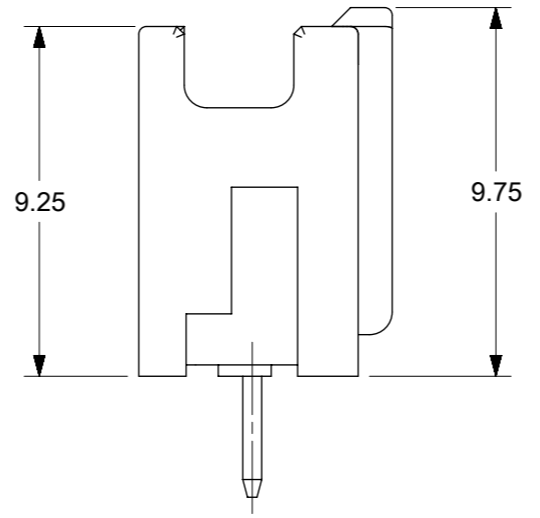
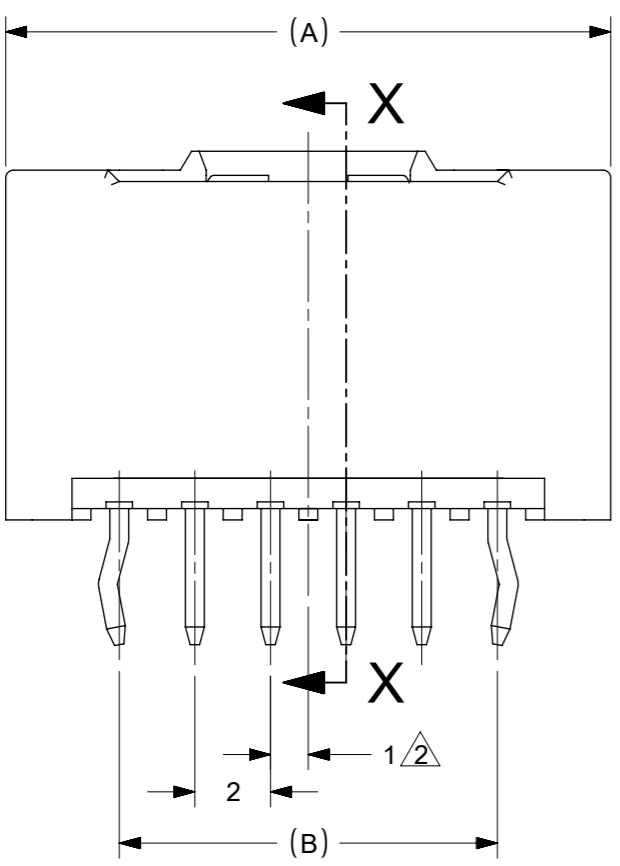


SECTION X-X



- NOTE
- MATE WITH 51382-XXXX
 - APPLY EVEN CIRCUIT PRODUCTS
 - KINK TO BE APPLIED BOTH ENDS
 - MATERIALS
HOUSING : PBT, UL94V-0
PIN : BRASS
 - FINISHES : PIN TERMINAL
PREPLATED TIN 1µm MIN.
NICKEL UNDERPLATE 0.5µm MIN.
 - MATERIAL NO.
55932- X X X X

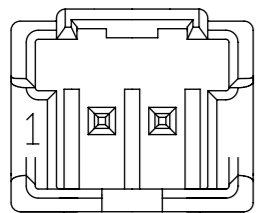
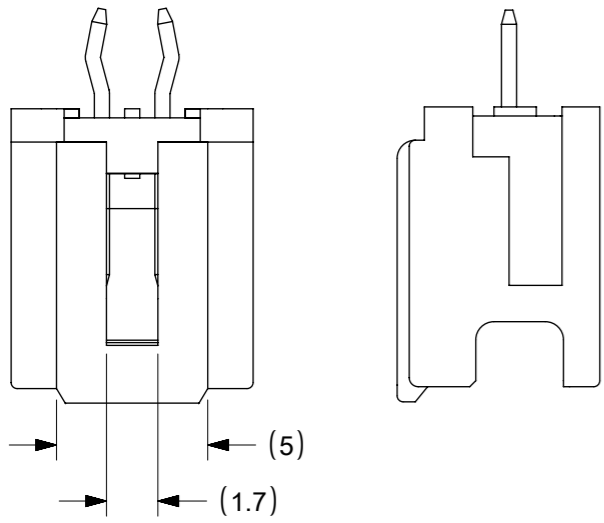
CIRCUIT SIZE5 COLOR

30	NATURAL (WHITE)
31	BLACK
32	RED
33	YELLOW
34	BLUE
35	PINK
36	GREEN
37	BROWN
38	ORANGE
39	VIOLET
51	GRAY
53	FLUORESCENT YELLOW
54	PALE BLUE
55	FLUORESCENT PINK
56	YELLOWISH GREEN
58	FLUORESCENT ORANGE

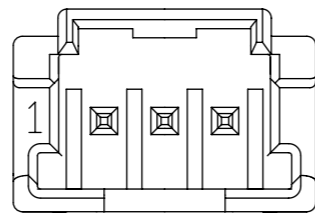
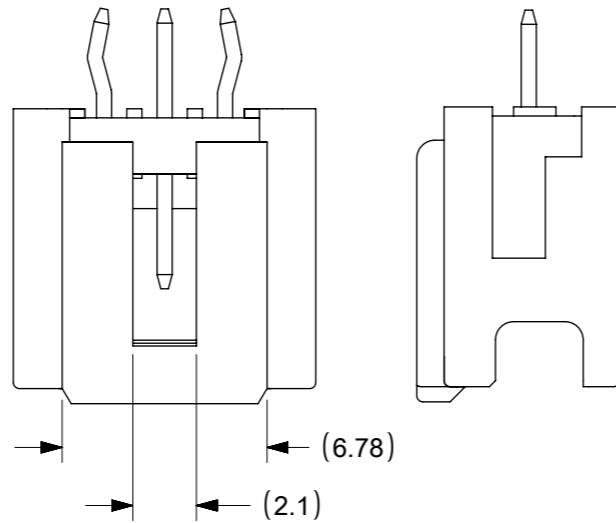
CKT.	△ MATERIAL NO.	A	B	C
2	55932-02XX	8	2	5
3	55932-03XX	10	4	7
4	55932-04XX	12	6	9
5	55932-05XX	14	8	11
6	55932-06XX	16	10	13
7	55932-07XX	18	12	15
8	55932-08XX	20	14	17
9	55932-09XX	22	16	19
10	55932-10XX	24	18	21
11	55932-11XX	26	20	23
12	55932-12XX	28	22	25
13	55932-13XX	30	24	27
14	55932-14XX	32	26	29
15	55932-15XX	34	28	31

MODEL NO. : 55932-****

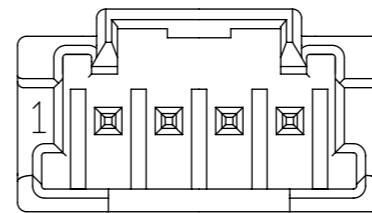
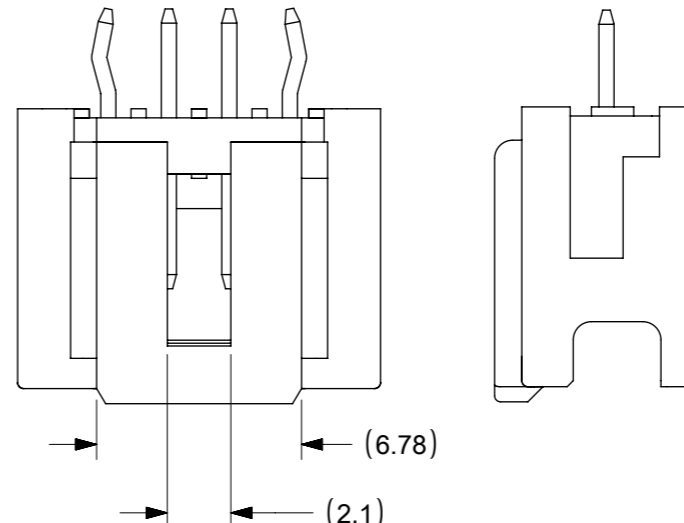
FUNCTIONAL SYMBOLS	THIS DRAWING CONTAINS INFORMATION THAT IS PROPRIETARY TO MOLEX ELECTRONIC TECHNOLOGIES, LLC AND SHOULD NOT BE USED WITHOUT WRITTEN PERMISSION	CURRENT REV DESC: MIGRATED TO ECTR		molex				
	GENERAL TOLERANCES (UNLESS SPECIFIED)	EC NO: 634332						2.0 W/B CONN. PLUG HOUSING ASSY ST -LEAD FREE-
	ANGULAR TOL ± 3.0°	4 PLACES ±	DRWN: SS06	2020/03/02	PRODUCT CUSTOMER DRAWING			
	3 PLACES ±	2 PLACES ± 0.2	CHK'D: SS06	2020/03/19	DOCUMENT NUMBER			
DIVISIONAL SYMBOLS	2 PLACES ± 0.2	APPR: ISHWARG	2020/03/19	SD-55932-006		DOC TYPE	DOC PART	REVISION
1 PLACE ± 0.2	1 PLACE ± 0.2	INITIAL REVISION:	2002/02/18	SEE TABLE		GENERAL MARKET	001	H1
0 PLACES ± 0.2	DRAFT WHERE APPLICABLE MUST REMAIN WITHIN DIMENSIONS	THIRD ANGLE PROJECTION	2002/02/20	SERIES		MATERIAL NUMBER	CUSTOMER	SHEET NUMBER
				A3-SIZE	55932			1 OF 2



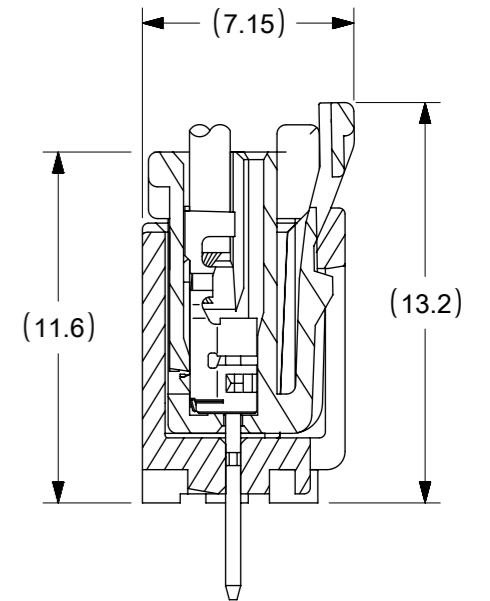
2 CIRCUIT



3 CIRCUIT

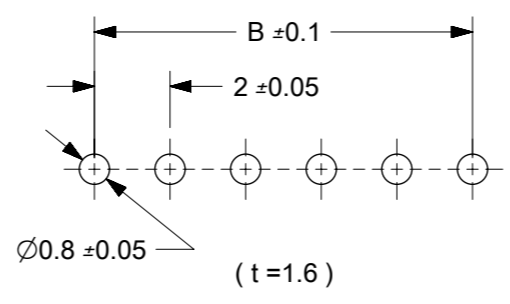
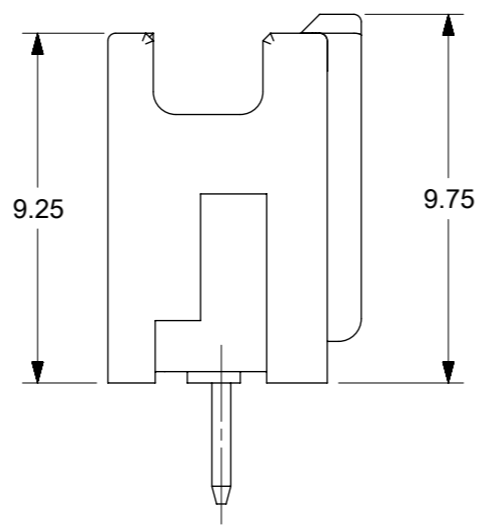
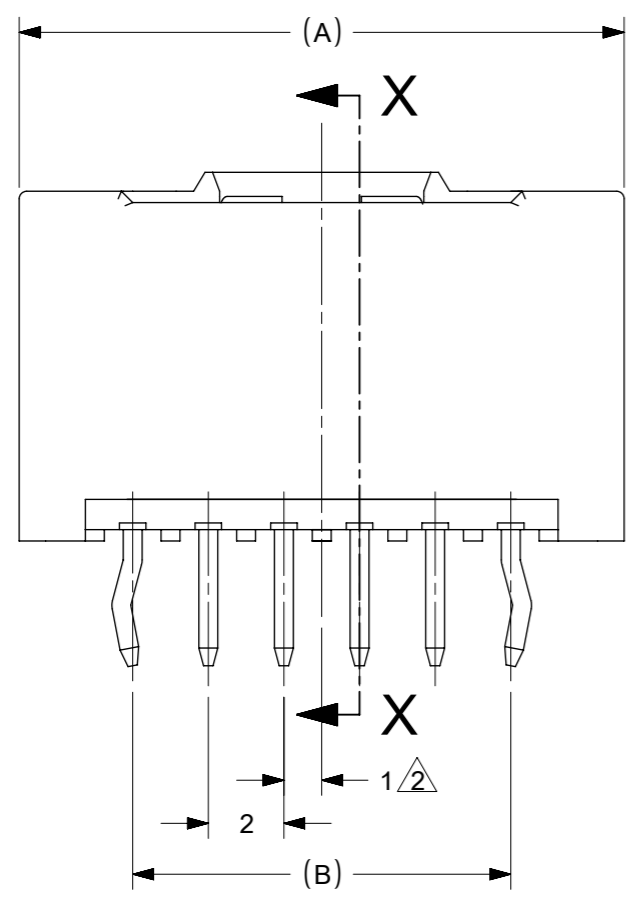
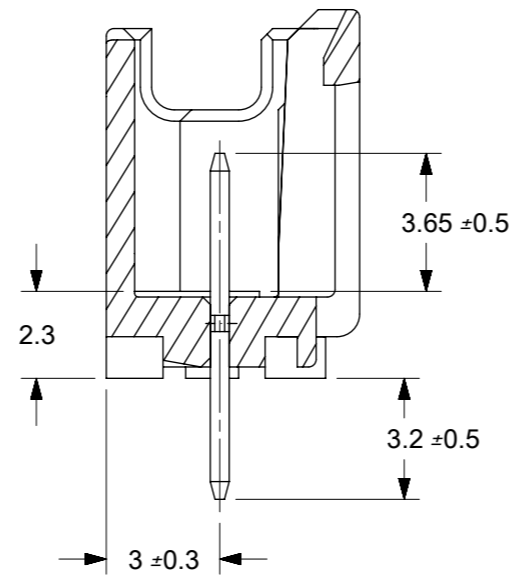
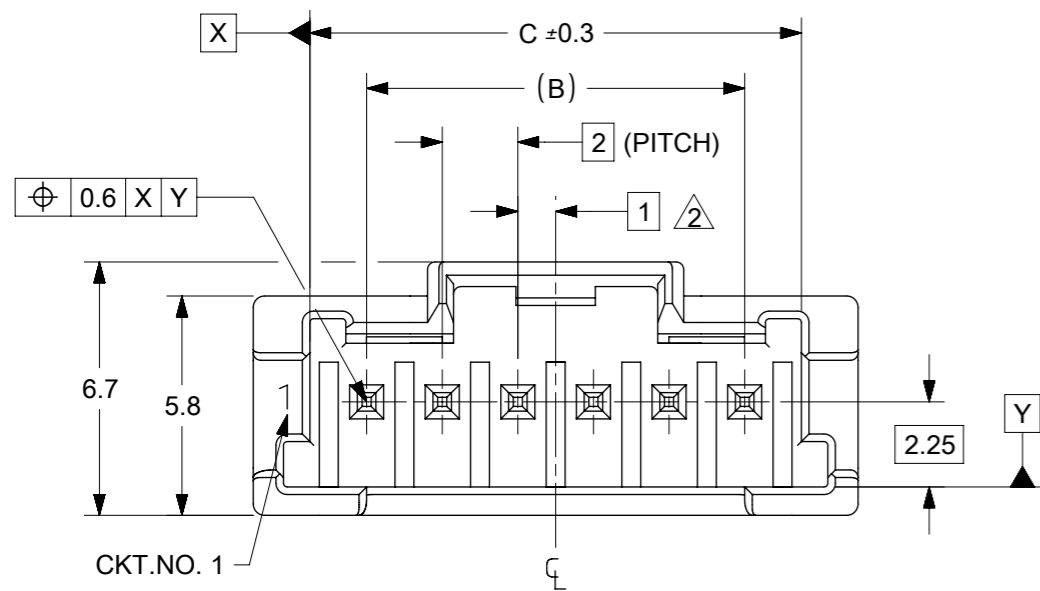


4 CIRCUIT



MATING CROSS SECTION

FUNCTIONAL SYMBOLS	THIS DRAWING CONTAINS INFORMATION THAT IS PROPRIETARY TO MOLEX ELECTRONIC TECHNOLOGIES, LLC AND SHOULD NOT BE USED WITHOUT WRITTEN PERMISSION				
	$\nabla/A = 0$ $\nabla/E = 0$ $\nabla/P = 0$	DIMENSION UNITS: mm SCALE: NTS GENERAL TOLERANCES (UNLESS SPECIFIED) ANGULAR TOL $\pm 3.0^\circ$			
DIVISIONAL SYMBOLS	4 PLACES \pm 3 PLACES \pm 2 PLACES ± 0.2 1 PLACE ± 0.2 0 PLACES ± 0.2	INITIAL REVISION: DRWN: TNIITSU APPR: KASAKAWA	2002/02/18 2002/02/20	DOCUMENT NUMBER: SD-55932-006 DOC TYPE: PSD DOC PART: 001 REVISION: H1	MATERIAL NUMBER: SEE SHEET 1 CUSTOMER: GENERAL MARKET SHEET NUMBER: 2 OF 2
	DRAFT WHERE APPLICABLE MUST REMAIN WITHIN DIMENSIONS	THIRD ANGLE PROJECTION 	DRAWING: A3-SIZE	SERIES: 55932	



NOTE

1. MATE WITH 51382-XXXX
2. APPLY EVEN CIRCUIT PRODUCTS
3. KINK TO BE APPLIED BOTH ENDS
4. MATERIALS
HOUSING : PBT, UL94V-0
PIN : BRASS
5. FINISHES : PIN TERMINAL
PREPLATED TIN 1µm MIN.
NICKEL UNDERPLATE 0.5µm MIN.
6. MATERIAL NO.

55932- X X X X

CIRCUIT SIZE — COLOR

30	NATURAL (WHITE)
31	BLACK
32	RED
33	YELLOW
34	BLUE
35	PINK
36	GREEN
37	BROWN
38	ORANGE
39	VIOLET
51	GRAY
53	FLUORESCENT YELLOW
54	PALE BLUE
55	FLUORESCENT PINK
56	YELLOWISH GREEN
58	FLUORESCENT ORANGE

CKT.	△ MATERIAL NO.	A	B	C
2	55932-02XX	8	2	5
3	55932-03XX	10	4	7
4	55932-04XX	12	6	9
5	55932-05XX	14	8	11
6	55932-06XX	16	10	13
7	55932-07XX	18	12	15
8	55932-08XX	20	14	17
9	55932-09XX	22	16	19
10	55932-10XX	24	18	21
11	55932-11XX	26	20	23
12	55932-12XX	28	22	25
13	55932-13XX	30	24	27
14	55932-14XX	32	26	29
15	55932-15XX	34	28	31

MODEL NO. : 55932- ****

THIS DRAWING CONTAINS INFORMATION THAT IS PROPRIETARY TO MOLEX ELECTRONIC TECHNOLOGIES, LLC AND SHOULD NOT BE USED WITHOUT WRITTEN PERMISSION

FUNCTIONAL SYMBOLS: ∇/\bar{A} = 0, ∇/\bar{E} = 0, ∇/\bar{F} = 0

DIMENSION UNITS: mm, SCALE: NTS

GENERAL TOLERANCES (UNLESS SPECIFIED): ANGULAR TOL ± 3.0°, 4 PLACES ±, 3 PLACES ±, 2 PLACES ± 0.2, 1 PLACE ± 0.2, 0 PLACES ± 0.2

DIVISIONAL SYMBOLS: DRAFT WHERE APPLICABLE MUST REMAIN WITHIN DIMENSIONS

THIRD ANGLE PROJECTION:

DRAWING: A3-SIZE, SERIES: 55932

CURRENT REV DESC: MIGRATED TO ECTR

EC NO: 634332, DRWN: SS06, CHK'D: SS06, APPR: ISHWARG, INITIAL REVISION: DRWN: YMAEDA, APPR: NUKITA

2020/03/02, 2020/03/19, 2020/03/19, 2005/11/08, 2005/11/09

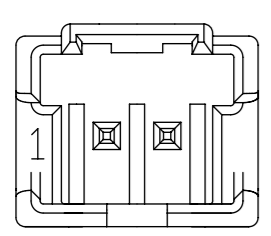
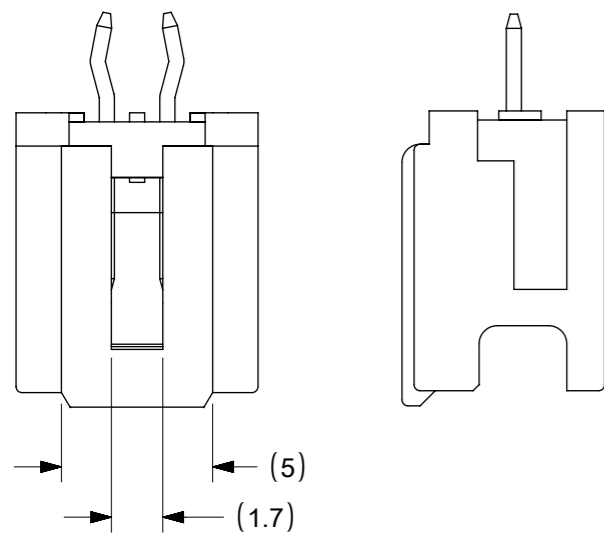
molex

2.0 W/B CONN.PLUG HOUSING ASS'Y WO BOSS -LEAD FREE-

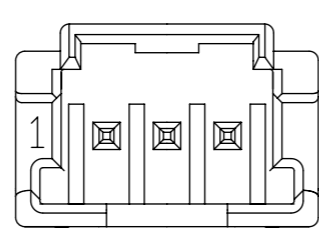
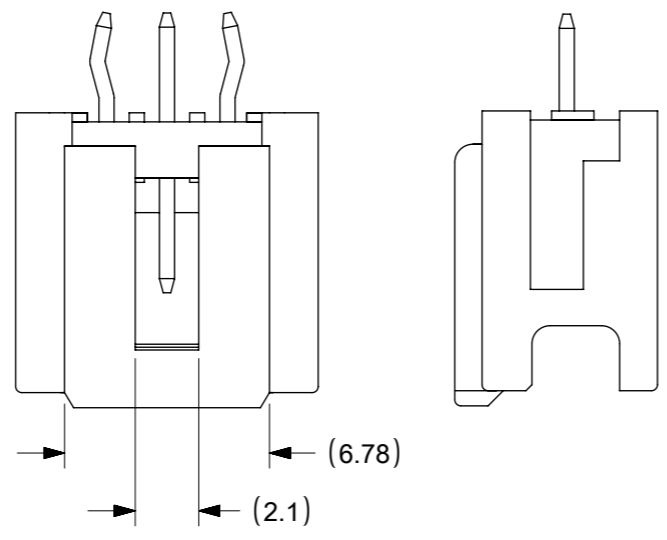
PRODUCT CUSTOMER DRAWING

DOCUMENT NUMBER: SD-55932-007, DOC TYPE: PSD, DOC PART: 001, REVISION: A1

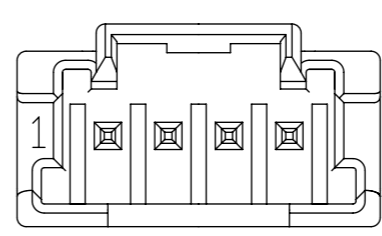
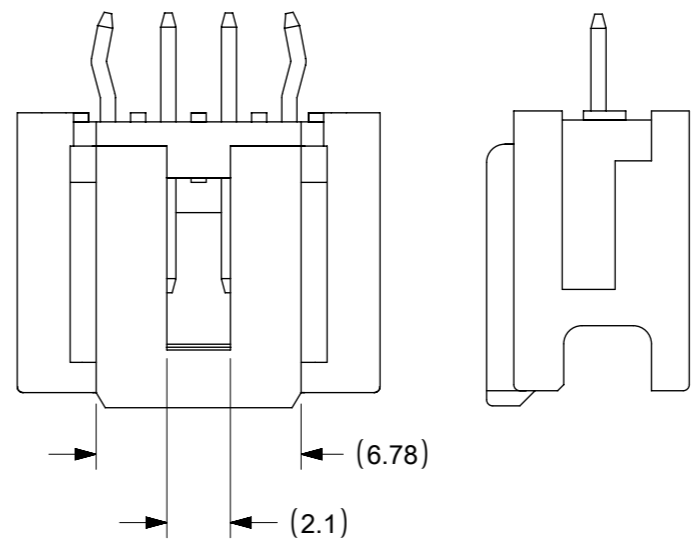
MATERIAL NUMBER: SEE TABLE, CUSTOMER: GENERAL MARKET, SHEET NUMBER: 1 OF 2



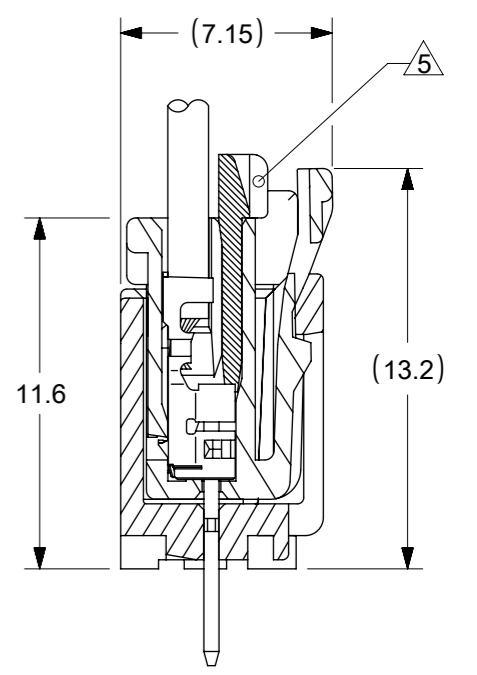
2 CIRCUIT



3 CIRCUIT



4 CIRCUIT



MATING CROSS SECTION

MODEL NO. : 55932-****

FUNCTIONAL SYMBOLS $\nabla_A = 0$ $\nabla_B = 0$ $\nabla_C = 0$	THIS DRAWING CONTAINS INFORMATION THAT IS PROPRIETARY TO MOLEX ELECTRONIC TECHNOLOGIES, LLC AND SHOULD NOT BE USED WITHOUT WRITTEN PERMISSION	CURRENT REV DESC: MIGRATED TO ECTR					
	DIMENSION UNITS	SCALE	2.0 W/B CONN.PLUG HOUSING ASS'Y WO BOSS -LEAD FREE-				
	mm	NTS	PRODUCT CUSTOMER DRAWING				
	GENERAL TOLERANCES (UNLESS SPECIFIED)			EC NO: 634332	2020/03/02	DOCUMENT NUMBER SD-55932-007	
ANGULAR TOL ± 3.0°			DRWN: SS06	2020/03/19			
4 PLACES ±			CHK'D: SS06	2020/03/19	DOC TYPE PSD		
3 PLACES ±			APPR: ISHWARG	2020/03/19	DOC PART 001		
2 PLACES ± 0.2			INITIAL REVISION:	2005/11/08	REVISION A1		
1 PLACE ± 0.2			DRWN: YMAEDA	2005/11/09			
0 PLACES ± 0.2			APPR: NUKITA				
DRAFT WHERE APPLICABLE MUST REMAIN WITHIN DIMENSIONS		THIRD ANGLE PROJECTION	DRAWING	SERIES	MATERIAL NUMBER	CUSTOMER	SHEET NUMBER
			A3-SIZE	55932	SEE SHEET 1	GENERAL MARKET	2 OF 2