

Note:

\* Material :

Insulation:

Nylon 6T UL 94V-0

Color Nature

Contact : Phosphor Bronze

Fixed Tab : Brass with Matte  
Tin Plated

\* Recommended mating part:

Housing : CI44\*\*S0000

Terminal : CI44T011PP0

\* For Lead-Free IR Reflow process

**ORDERING CODE:**

CI44 \*\* M 1 V 00 -NH  
① ② ③ ④ ⑤ ⑥ ⑦

① SERIES NO.:

② NO. OF CIRCUITS: 02 TO 15

③ M= SMT TYPE HEADER

④ PLATING OPTION:

1= Tin over Nickel plated

⑤ TAIL STYLE: V= STRAIGHT

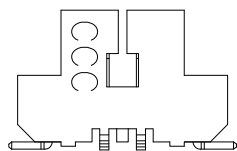
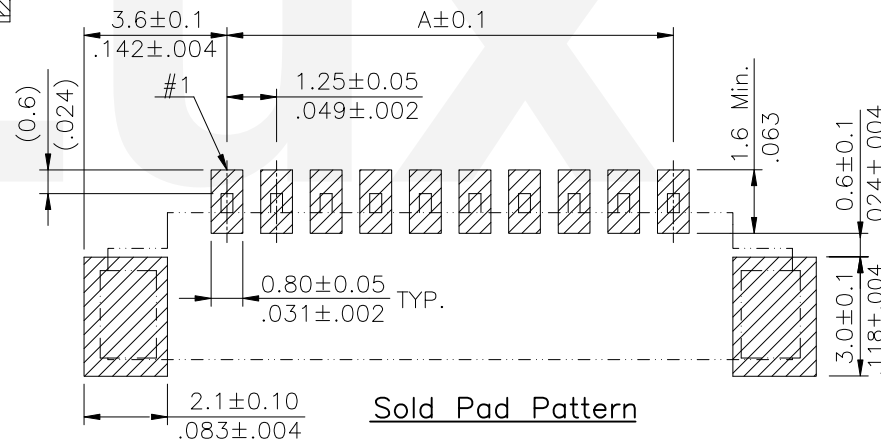
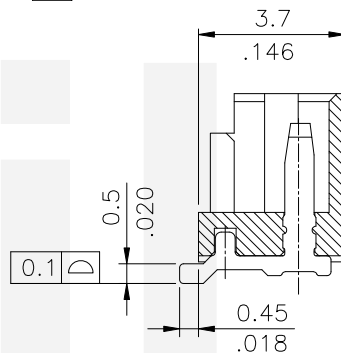
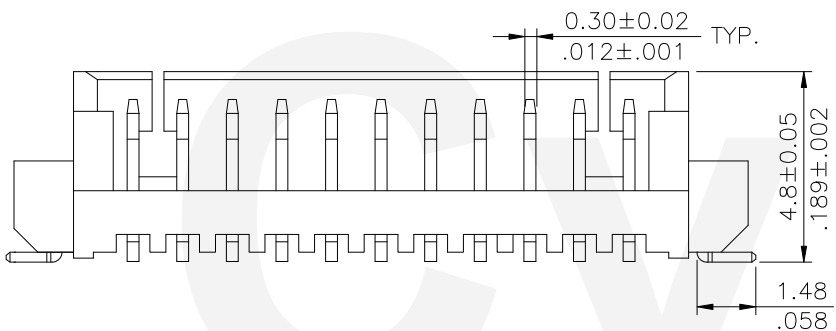
⑥ OPTION:

00= STANDARD(TUBE PACKING)

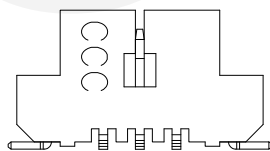
R0= TAPE & REEL PACKING

⑦ OTHER OPTION:

-NH=For Lead Free IR Processes  
and Halogen-Free



FOR 2 Circuits



FOR 3 Circuits

A = 1.25 x No. of Spaces

B = A + 6.1

C = A + 1.9


\* Available in 2 through 15 circuits

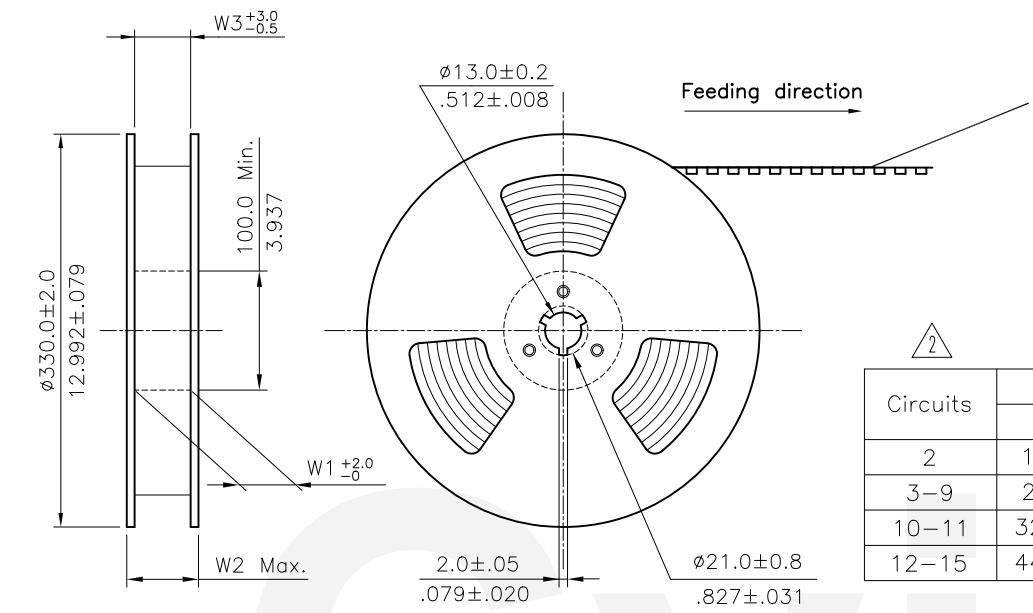
Sold Pad Pattern

Halogen-Free

Lead Free Process

RoHS compliant

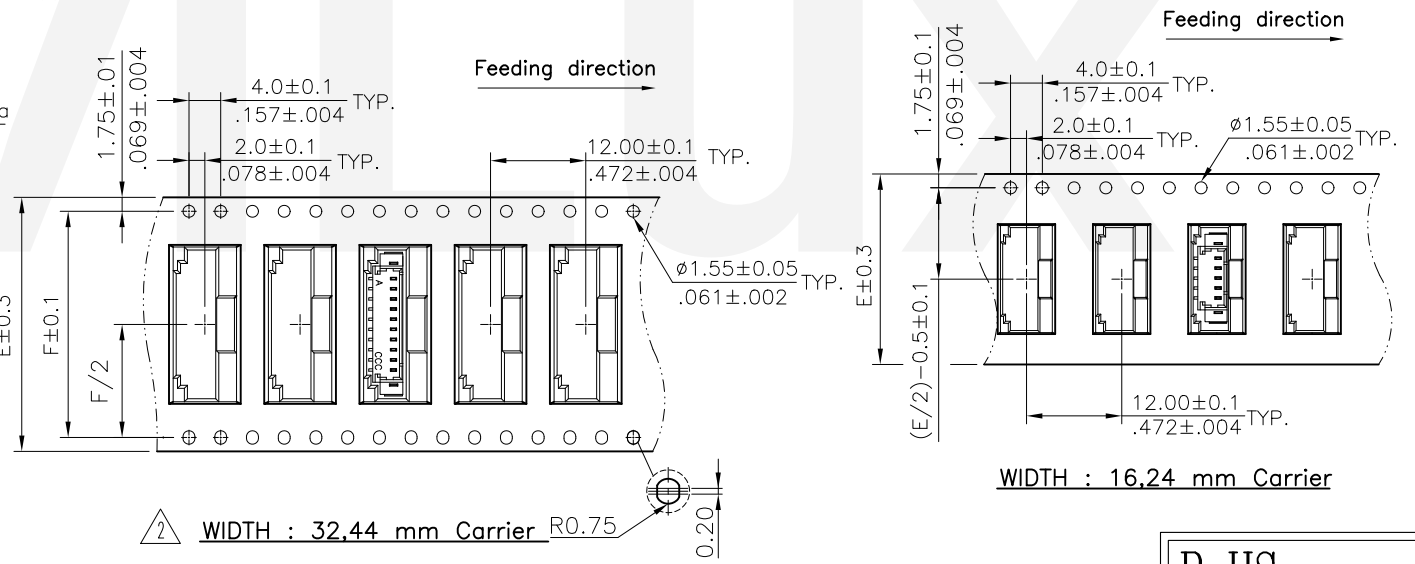
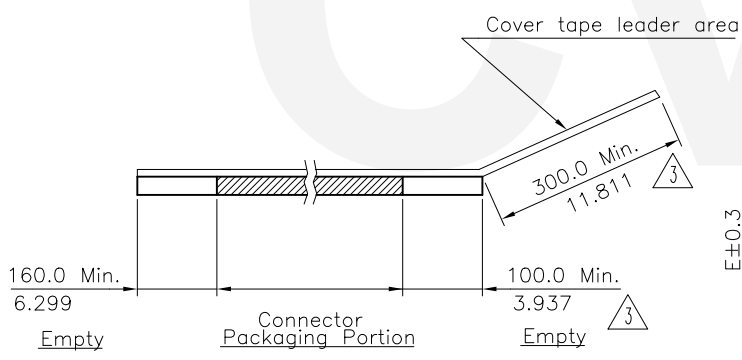
④						DATE	UNIT: mm / inch	TITLE: 1.25MM(.049") STRAIGHT SMT TYPE HEADER	 瀚荃股份有限公司 CviLux Corporation
③	Karen	12/09-14'	ECNT114252/ECRT114090	2015.01.16	DRAWN BY:	Karen	12/25-14'	TOLERANCE UNLESS OTHERWISE SPECIFIED	
②	Enya	7/26-12'	ECN12176-0 /ECR12061-1	ISSUED	ENGINEER:	Sun	12/26-14'	.X ± 0.25/.010 X' ± 1'	
①	Tim	11/09-10'	ECR10145-0/ECN10364		CHECKED BY:	Eisley	12/29-14'	.XX ± 0.15/.006 X' ±	
SYM	NAME	DATE	REVISIONS		APPROVED BY:	Eisley	12/29-14'	.XXX ± 0.08/.003 .XX ±	DRAWING NO. CI4457SD
									PART NO. CI44**M1V**-NH
									SCALE 5 / 1
									SHEET 1 OF 2



NOTE :

- \* Reel Material : CORRUGATED PAPER
- \* Carrier Material : Clear, Conductive Polystyrene Alloy
- \* Cover Tape Material : Polyester
- \* Cover Tape Peel Strength : 0.1N – 1.3N
- \* Carrier camber is within 1mm in 100mm
- \* All dimensions meet EIA-481-2 & EIA-481-3 requirements.
- \* Quantity : 1000 PCS/Reel

Circuits	Dimension					Packing (Reel/Caton)
	E	F	W1	W2	W3	
2	16.0(.630)	---	16.5(.650)	22.5(.886)	16.5(.650)	11
3-9	24.0(.945)	---	24.5(.965)	30.5(1.201)	24.5(.965)	9
10-11	32.0(1.260)	28.40(1.118)	32.5(1.280)	38.5(1.516)	32.5(1.280)	7
12-15	44.0(1.732)	40.40(1.591)	44.5(1.752)	50.5(1.988)	44.5(1.752)	5



RoHS Compliant

4				CIVILUX CORP		DATE	UNIT: mm / inch	TITLE: 1.25MM(.049")	瀚荃股份有限公司 CviLux Corporation
3	Karen	12/09-14'	ECNT114252/ECRT114090	2015.01.16	DRAWN BY: Karen	12/25-14'	TOLERANCE UNLESS OTHERWISE SPECIFIED	STRAIGHT SMT TYPE HEADER	
2	Enya	7/26-12'	ECN12176-0 /ECR12061-1	ISSUED	ENGINEER: Sun	12/26-14'	.X ±	.X' ± 1'	DRAWING NO. <b>CI4457SD</b> PART NO. <b>CI44**M1V**-NH</b>
1	Tim	11/09-10'	ECR10145-0/ECN10364		CHECKED BY: Eisley	12/29-14'	.XX ±	.X' ±	
SYM	NAME	DATE	REVISIONS		APPROVED BY: Eisley	12/29-14'	.XXX ±	.XX' ±	FINISH: SCALE SHEET 2 OF 2