

WG48- X - RM - X - X - X - X

SWITCH FUNCTION CODE	SWITCH FUNCTION DESCRIPTION
1	MECHANICAL, MOMENTARY, SOLDER TERMINAL
2	MECHANICAL, MAINTAINED, SOLDER TERMINAL
A	MECHANICAL, MOMENTARY, WIRELEADS
B	MECHANICAL, MAINTAINED, WIRELEADS

BEZEL CODE	BEZEL DESCRIPTION
RM	ROUND, BLACK MIRROR

ILLUMINATION CODE	LED COLOR DESCRIPTION
N	NONE
R	RED
A	AMBER
Y	YELLOW
G	GREEN
B	BLUE
W	WHITE
RG	RED/BLUE
RB	RED/GREEN

BUTTON CODE (SEE NOTE 3)	BUTTON COLOR DESCRIPTION
(H)BK	BLACK
(H)RD	RED
(H)GR	GREEN
(H)BL	BLUE
(H)YL	YELLOW
(H)OR	ORANGE
(H)WH	WHITE

MOUNTING CODE	MOUNTING STYLE DESCRIPTION
B	BUSHING
F	SNAP FIT

LED VOLTAGE CODE		LED VOLTAGE DESCRIPTION
NON-WIRELEADS	IF BLANK	SEE LED SPEC.
	05	5V (SEE NOTE 4)
WIRELEADS	IF BLANK	SEE LED SPEC.
	05	5V (SEE NOTE 4)
	12	12V
	24	24V

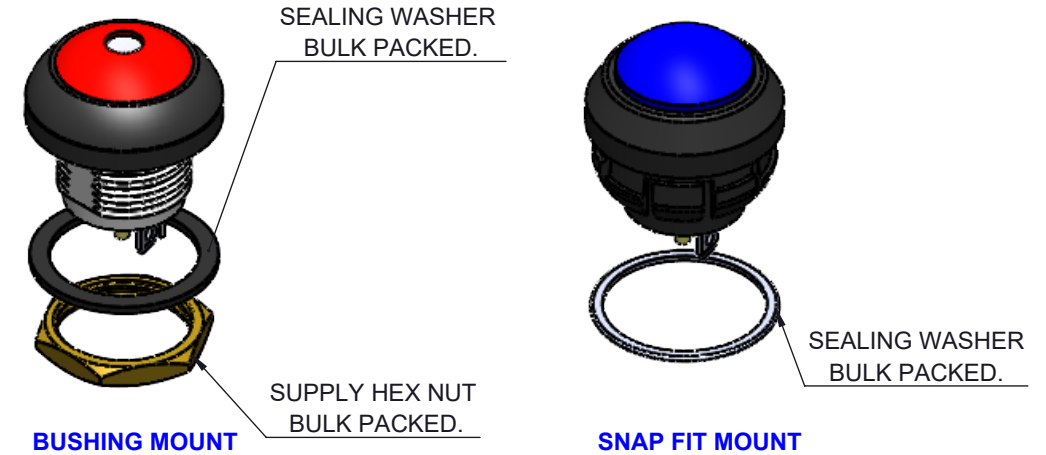
MECHANICAL CHARACTERISTICS:
 SWITCH CIRCUITRY: SPST-NO-DB
 SWITCH ACTION: MOMENTARY AND MAINTAINED (PER CHART)
 BUTTON TRAVEL: 2.3mm NOMINAL
 OPERATING FORCE: 3N [306g] NOMINAL
 PANEL THICKNESS:
 BUSHING MOUNT: 0.5 - 3.0mm
 SNAP MOUNT: 1mm/2mm/3mm ±0.05
 CONTACTS: SILVER
 NUT TORQUE FORCE: MAX 6 kgf-cm[5.2 LB-in]
ENVIRONMENTAL SPECIFICATIONS:
 ACTUATOR INGRESS PROTECTION: IP67
 LIFE(MECHANICAL):
 MOMENTARY: 1,000K CYCLES
 MAINTAINED : 50K CYCLES
OPERATING TEMPERATURE:
 MOMENTARY: -40 C to +85 C
 MAINTAINED:-40 C to +65 C
ELECTRICAL SPECIFICATIONS:
 CURRENT RATINGS:
 2A@24VDC
 MOMENTARY: 40K CYCLES NOMINAL
 MAINTAINED: 20K CYCLES NOMINAL
 DIELECTRIC STRENGTH: 1,000VAC
 INSULATION RESISTANCE: 1G OHM
 CONTACT RESISTANCE:
 50m OHMS MAX INITIAL(NON-WIRELEADS)
 250m OHMS MAX INITIAL(WIRELEADS)
 CABLE: UL1007,AWG26
 NOTE

- CURRENT LIMITING RESISTOR IS REQUIRED TO LIMIT LED FORWARD CURRENT TO 20mA
- SUPPLY HEX NUT AND SEALING WASHER BULK PACKED.
- HIGH-BUTTON OPTION, DENOTED (H), ONLY AVAILABLE FOR ROUND BEZEL AND NON-ILL.TYPE. OMIT (H) FOR STANDARD BUTTON.
- INNER RESISTOR ONLY FOR LED :RED / BLUE / GREEN / WHITE.

LED SPECIFICATION					
LED CODE	LED SINGLE COLOR	Vf(VDC)	If	CIRCUITRY	
		TYP.	(mA)		
R	RED	2.0	20		
A	AMBER	2.0	20		
Y	YELLOW	2.0	20		
G	GREEN	3.0	20		
B	BLUE	3.1	20		
W	WHITE	3.3	20		
LED CODE	BICOLOR LED		Vf(VDC)	If	CIRCUITRY
	COLOR1	COLOR2	TYP.	(mA)	
RB	RED	BLUE	2.0(RED) 3.3(BLUE)	20	
RG	RED	GREEN	2.0(RED) 3.4(GREEN)	20	

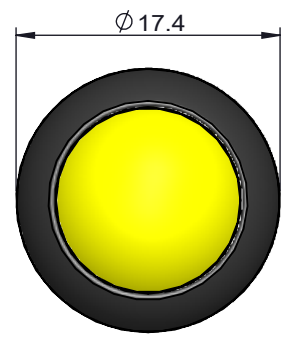
Notes:
 Hand Soldering Temperature (4mm above from Body) : 320°C for 3 seconds

WIRELEADS SPECIFICATION					
WIRELEADS TYPE	WIRELEADS SPECIFICATION	SW TERMINAL		LED	
		/	O	+	-
ILLUMINATION	AWG26 / UL1007	BLUE	BLUE	RED	BLACK
NON-ILLUMINATION		BLUE	BLUE	--	--

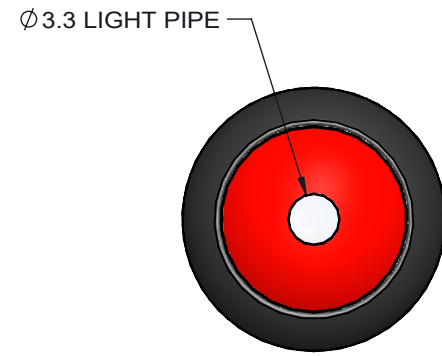


DWG TYPE SALES DRAWING	DRAWN <i>K.Y.</i>	TOLERANCES: UNLESS OTHERWISE NOTED X.X ± 0.5 X.XX ± 0.25 ANGULAR ± 5°	DWG TITLE WG48-RM SERIES ,MECHANICAL MOMENTARY/MAINTAINED						
STATUS RELEASE	REVIEW <i>v.w.</i>	THIRD ANGLE PROJECTION 	DWG NO. WG48-1,2,A,B-RM						
<small>This document is the intellectual property of ITW Electronic Business Asia Co., Limited and may contain confidential, proprietary, privileged information protected by law. Neither this document nor any information it contains can be reproduced, transformed to any other format, or distributed, without written permission by ITW Electronic Business Asia Co., Limited. 本文件為安達通電器股份有限公司之智慧財產，非經許可不得翻取、複製、轉變成其他形式使用或散佈。</small>		DATE 2020/4/17	REF: ---	<input checked="" type="checkbox"/> 管制文件 <input type="checkbox"/> 非管制文件		Unit mm	SCALE 3:2	REV 3	RoHS Compliant

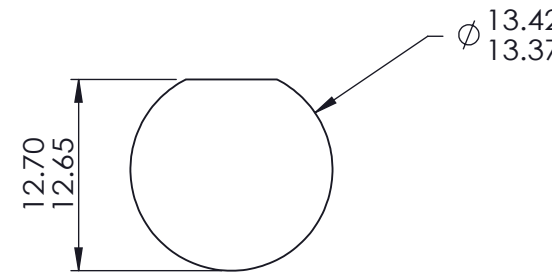
BUSHING MOUNTING



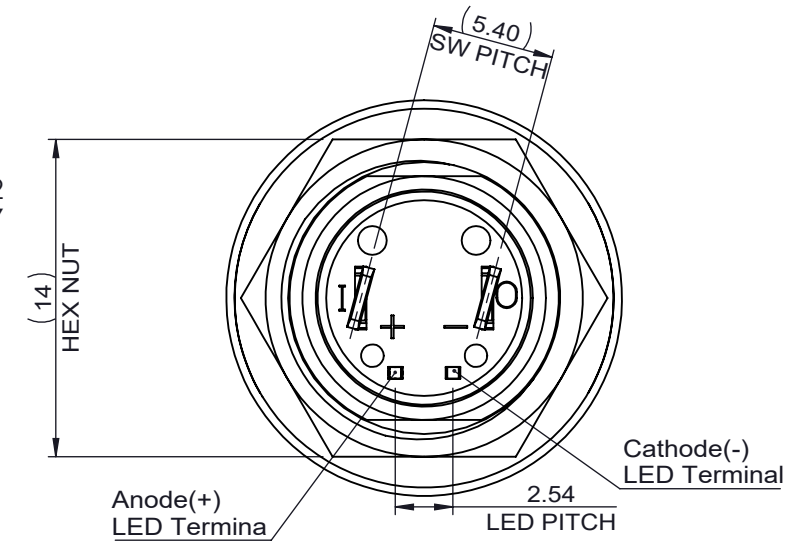
NONE-ILLUMINATION



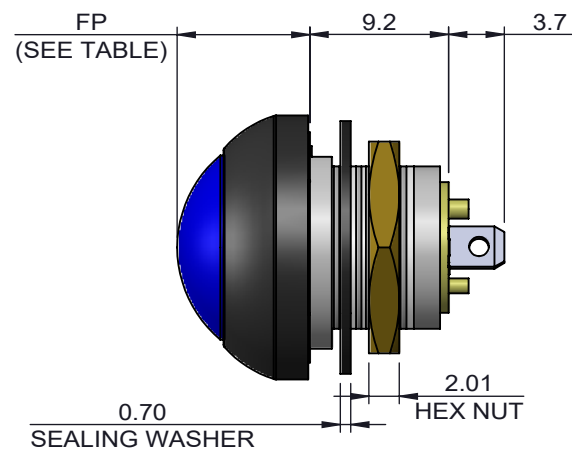
ILLUMINATION



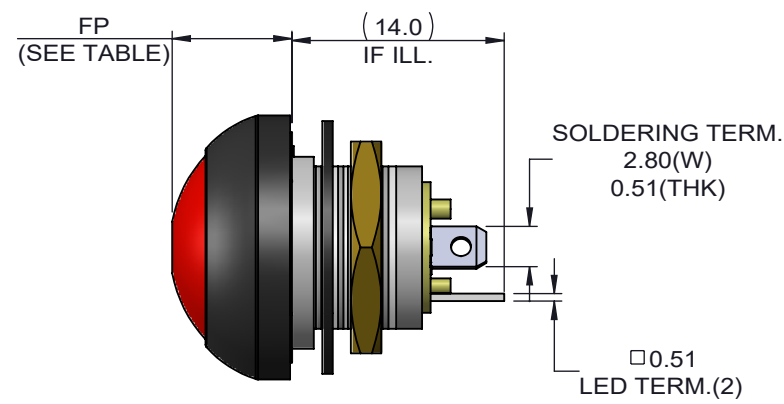
**REFERENCE
PANEL CUT-OUT
BUSHING MOUNT**



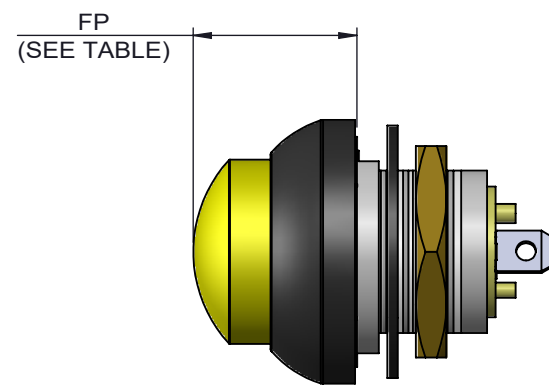
DETAIL FOR TERMINAL POSITION



NONE-ILLUMINATION



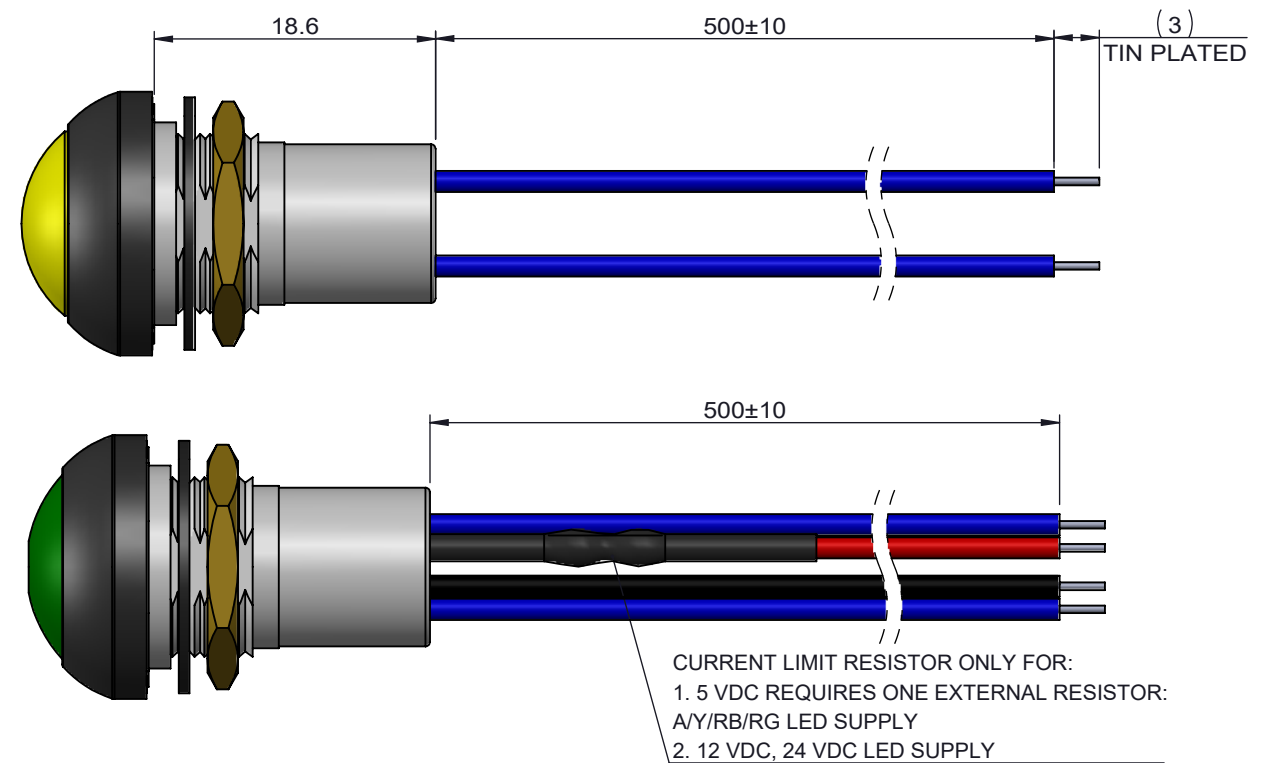
ILLUMINATION



**HIGH BUTTON
(ONLY AVAILABLE FOR ROUND BEZEL AND NON-ILL. TYPE)**

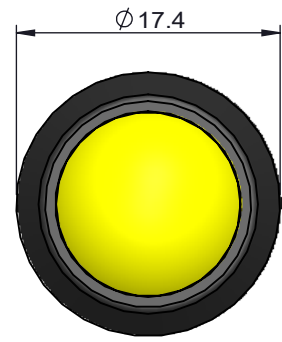
BUTTON TYPE	FP(mm)
NON-ILLUMINATION	8.8±0.5
ILLUMINATION: LIGHT PIPE BUTTON	7.9±0.5
HIGH BUTTON	10.8±0.5

WIRELEADS

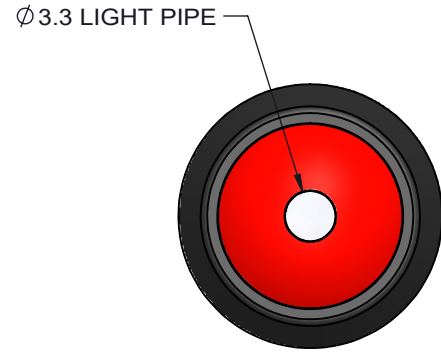


DWG TYPE SALES DRAWING	DRAWN <i>K.Y.</i>	TOLERANCES: UNLESS OTHERWISE NOTED X.X ± 0.5 X.XX ± 0.25 ANGULAR ± 5°	DWG TITLE WG48-RM SERIES ,MECHANICAL MOMENTARY/MAINTAINED							
STATUS RELEASE	REVIEW <i>v.w.</i>	THIRD ANGLE PROJECTION 	DWG NO. WG48-1,2,A,B-RM							
<small>This document is the intellectual property of ITW Electronic Business Asia Co., Limited and may contain confidential, proprietary, privileged information protected by law. Neither this document nor any information it contains can be reproduced, transformed to any other format, or distributed, without written permission by ITW Electronic Business Asia Co., Limited. 本文作為安達維百電股份有限公司之智慧財產，非經許可不得翻取、複製、轉變成其他形式使用或散佈。</small>			DATE 2020/4/17	REF: ---	<input checked="" type="checkbox"/> 管制文件 <input type="checkbox"/> 非管制文件	Unit mm	SCALE 3:2	REV 3	RoHS Compliant	SHEET 2 OF 4

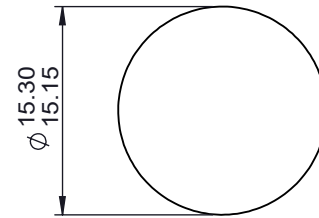
SNAP FIT MOUNTING



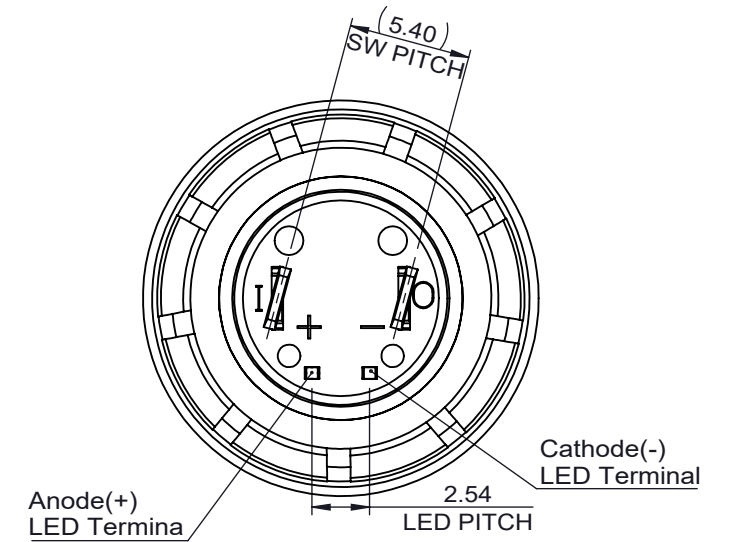
NONE-ILLUMINATION



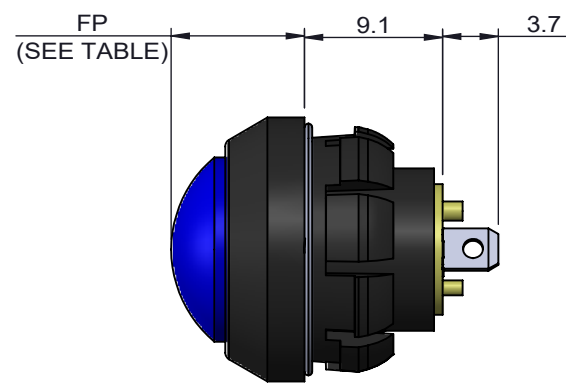
ILLUMINATION



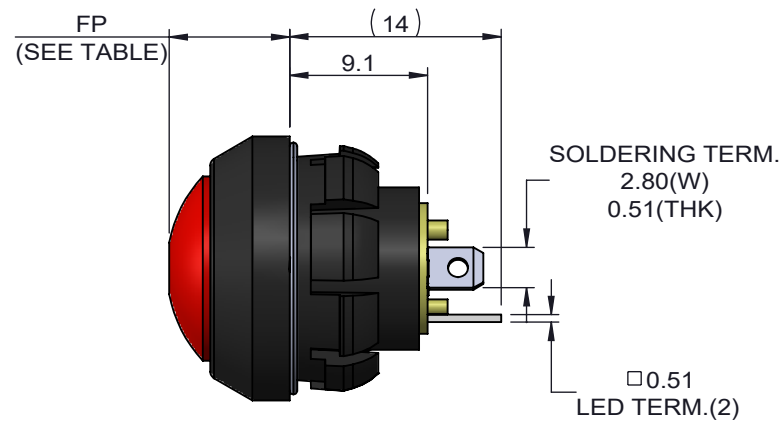
**REFERENCE
PANEL CUT-OUT
SNAP FIT MOUNT
PANEL THICKNESS: 1.0mm , 2.0mm , 3.0mm ±00.5**



DETAIL FOR TERMINAL POSITION

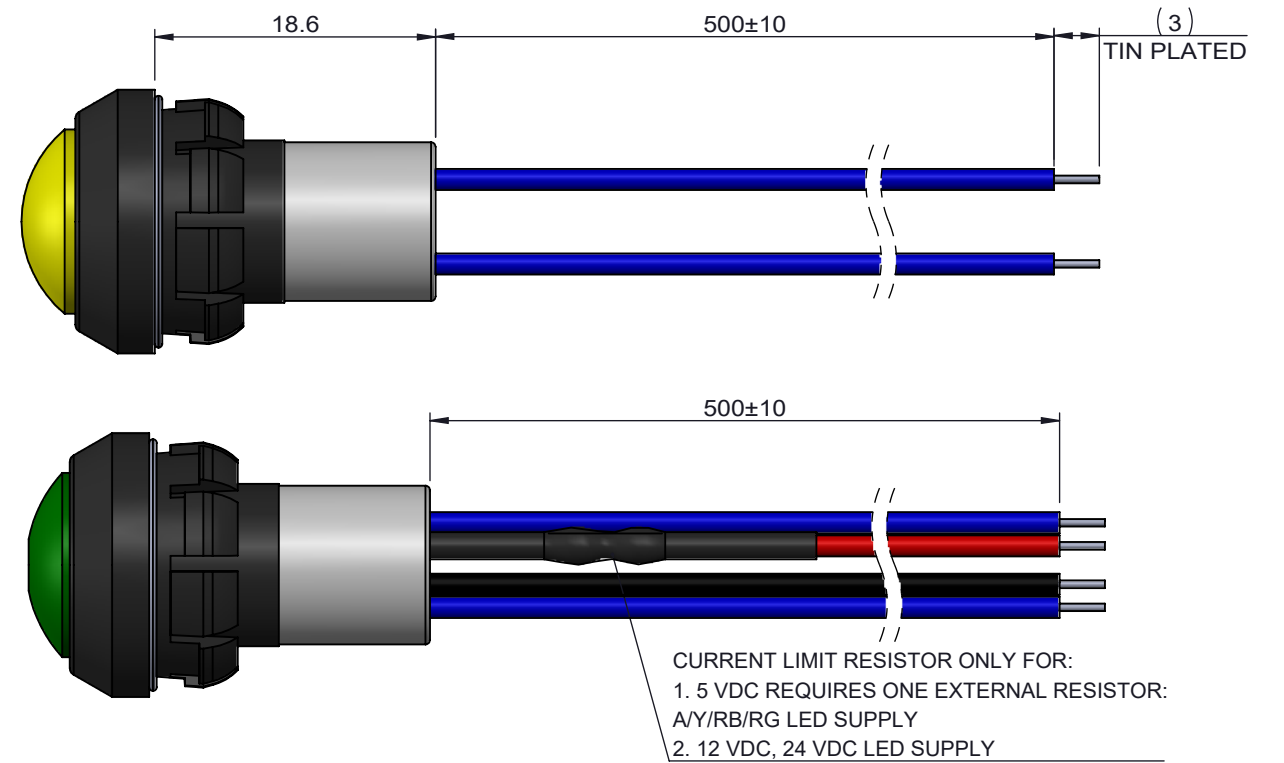


NONE-ILLUMINATION

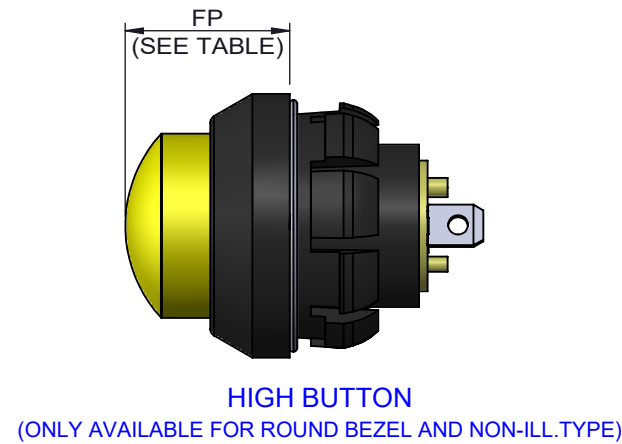


ILLUMINATION

WIRELEADS



CURRENT LIMIT RESISTOR ONLY FOR:
1. 5 VDC REQUIRES ONE EXTERNAL RESISTOR:
A/Y/RB/RG LED SUPPLY
2. 12 VDC, 24 VDC LED SUPPLY



**HIGH BUTTON
(ONLY AVAILABLE FOR ROUND BEZEL AND NON-ILL. TYPE)**

BUTTON TYPE	FP(mm)
NON-ILLUMINATION	8.8±0.5
ILLUMINATION: LIGHT PIPE BUTTON	7.9±0.5
HIGH BUTTON	10.8±0.5

DWG TYPE SALES DRAWING	DRAWN <i>K.Y.</i>	TOLERANCES: UNLESS OTHERWISE NOTED X.X ± 0.5 X.XX ± 0.25 ANGULAR ± 5°	DWG TITLE WG48-RM SERIES ,MECHANICAL MOMENTARY/MAINTAINED							
STATUS RELEASE	REVIEW <i>v.w.</i>	THIRD ANGLE PROJECTION 	DWG NO. WG48-1,2,A,B-RM							
<small>This document is the intellectual property of ITW Electronic Business Asia Co., Limited and may contain confidential, proprietary, privileged information protected by law. Neither this document nor any information it contains can be reproduced, transformed to any other format, or distributed, without written permission by ITW Electronic Business Asia Co., Limited. 本文作為安泰維百電器股份有限公司之智慧財產，非經許可不得翻取、複製、轉變成其他形式使用或散佈。</small>			DATE 2020/4/17	REF: ---	<input checked="" type="checkbox"/> 管制文件 <input type="checkbox"/> 非管制文件	Unit mm	SCALE 3:2	REV 3	RoHS Compliant	SHEET 3 OF 4