

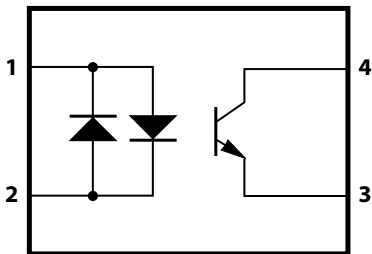
## HCPL-354

### AC Input Phototransistor Optocoupler SMD Mini-Flat Type

#### Description

The Broadcom<sup>®</sup> HCPL-354 contains a phototransistor, optically coupled to two LEDs connected inverse parallel. It can operate directly by AC input current. It is packaged in a 4-pin mini-flat SMD package with a 2.0-mm profile. The small dimension of this product allows significant space savings. The package volume is 30% smaller than that of conventional DIP type. Input-output isolation voltage is 3750 V<sub>rms</sub>. Response time,  $t_r$ , is typically 4  $\mu$ s and minimum CTR is 20% at input current of  $\pm 1$  mA.

#### Functional Diagram



1. ANODE, CATHODE      3. EMITTER  
2. CATHODE, ANODE    4. COLLECTOR

#### Features

- AC input response
- Current transfer ratio  
(CTR: min. 20% at  $I_F = \pm 1$  mA,  $V_{CE} = 5$ V)
- Isolation voltage between input and output  
( $V_{iso} = 3,750$  V<sub>rms</sub>)
- Subminiature type  
(The volume is smaller than that of conventional DIP type by as far as 30%)
- Mini-flat package
- 2.0 mm profile
- UL approved
- CSA approved
- IEC/EN 60747-5-5 approved
- Options available:
  - IEC/EN 60747-5-5 approvals (060)

#### Applications

- Detecting or monitoring AC signals
- Programmable controllers
- AC/DC-input modules
- AC line/digital logic isolation

**CAUTION!** Take normal static precautions in handling and assembly of this component to prevent damage and/or degradation that might be induced by electrostatic discharge (ESD). The components featured in this data sheet are not to be used in military or aerospace applications or environments. The components are not AEC-Q100 qualified and not recommended for automotive applications.

## Ordering Information

HCPL-354 is UL Recognized with 3750 V<sub>rms</sub> for 1 minute per UL1577 and is approved under CSA Component Acceptance Notice #5, File CA 88324.

Part Number	RoHS Compliant Option		Package	Surface Mount	Gull Wing	Tape and Reel	IEC/EN 60747-5-5	Quantity
	Rank '0' 20%<CTR<400%	'Rank 'A' 50%<CTR<150%						
HCPL-354	-000E	-00AE	SO-4	X		X		3000 pieces per reel
	-060E	-06AE	SO-4	X		X	X	3000 pieces per reel

To order, choose a part number from the part number column and combine with the desired option from the option column to form an order entry.

### Example 1:

HCPL-354-00AE to order product of Miniflat-4 AC Surface Mount package in Tape and Reel packaging with 50%<CTR<150% and RoHS compliant.

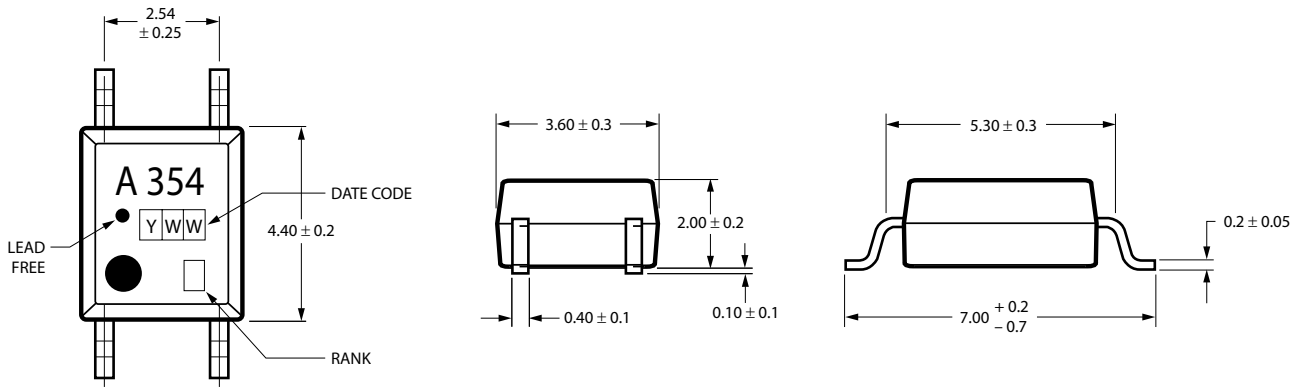
### Example 2:

HCPL-354-060E to order product of Miniflat-4 AC Surface Mount package in Tape and Reel pack- aging with 20%<CTR<400%, IEC/EN 60747-5-5 Safety Approval and RoHS compliant.

Option data sheets are available. Contact your Broadcom sales representative or authorized distributor for information.

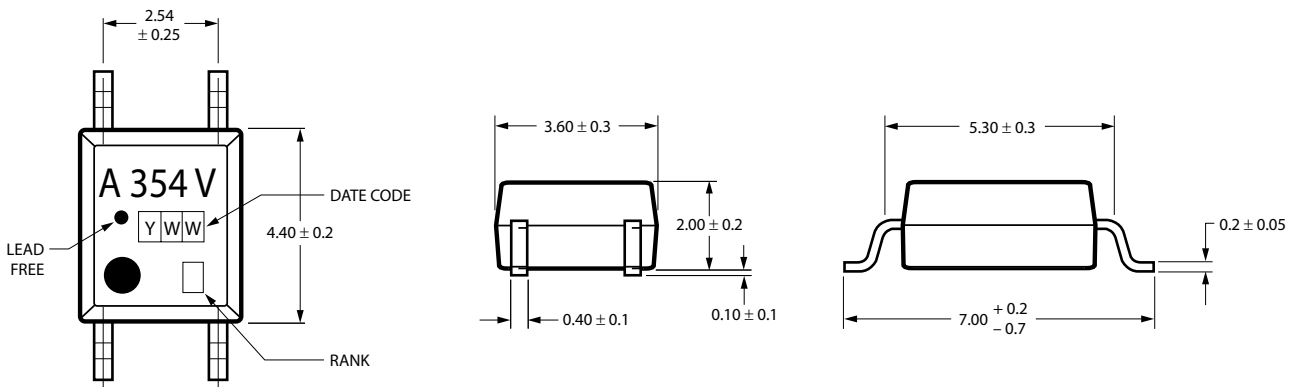
# Package Outline Drawing

## HCPL-354-000E



DIMENSIONS IN MILLIMETERS.

## HCPL-354-060E



DIMENSIONS IN MILLIMETERS.

# Solder Reflow Profile

Recommended reflow condition as per JEDEC Standard, J-STD-020 (latest revision). Non-halide flux should be used.

## Absolute Maximum Ratings

Parameters	Symbol	Min.	Max.	Units
Storage Temperature	$T_S$	-55	150	°C
Ambient Operating Temperature	$T_A$	-55	100	°C
Lead Solder Temperature for 10s (1.6 mm below seating plane)	$T_{sol}$	—	260	°C
Average Forward Current	$I_F$	—	±50	mA
Input Power Dissipation	$P_I$	—	70	mW
Collector Current	$I_C$	—	50	mA
Collector-Emitter Voltage	$V_{CEO}$	—	35	V
Emitter-Collector Voltage	$V_{ECO}$	—	6	V
Collector Power Dissipation	$P_C$	—	150	mW
Total Power Dissipation	$P_{tot}$	—	170	mW
Isolation Voltage (AC for 1 minute, RH = 40 ~ 60%) <sup>a</sup>	$V_{iso}$	—	3750	$V_{rms}$

a. Isolation voltage shall be measured using the following method:

- (a) Short between anode and cathode on the primary side and between collector and emitter on the secondary side.
- (b) The isolation voltage tester with zero-cross circuit is used.
- (c) The waveform of applied voltage is a sine wave.

## Electrical Specifications ( $T_A = 25^\circ\text{C}$ )

Parameter	Symbol	Min.	Typ.	Max.	Units	Test Conditions
Forward Voltage	$V_F$	—	1.2	1.4	V	$I_F = \pm 20 \text{ mA}$
Terminal Capacitance	$C_t$	—	30	250	pF	$V = 0, f = 1 \text{ kHz}$
Collector Dark Current	$I_{CEO}$	—	-	100	nA	$V_{CE} = 20\text{V}, I_F = 0$
Collector-Emitter Breakdown Voltage	$BV_{CEO}$	35	—	—	V	$I_C = 0.1 \text{ mA}, I_F = 0$
Emitter-Collector Breakdown Voltage	$BV_{ECO}$	6	—	—	V	$I_E = 10 \mu\text{A}, I_F = 0$
Collector Current	$I_C$	0.2	—	4	mA	$I_F = \pm 1 \text{ mA}$
Current Transfer Ratio <sup>a</sup>	CTR	20	—	400	%	$V_{CE} = 5\text{V}$
Collector-Emitter Saturation Voltage	$V_{CE(sat)}$	—	0.1	0.2	V	$I_F = \pm 20 \text{ mA}, I_C = 1 \text{ mA}$
Isolation Resistance	$R_{iso}$	$5 \times 10^{10}$	$1 \times 10^{11}$	—	$\Omega$	DC 500V, 40 ~ 60% RH
Floating Capacitance	$C_f$	—	0.6	1	pF	$V = 0, f = 1 \text{ MHz}$
Response Time (Rise)	$t_r$	—	4	18	$\mu\text{s}$	$V_{CE} = 2\text{V}, I_C = 2 \text{ mA}$
Response Time (Fall)	$t_f$	—	3	18	$\mu\text{s}$	$R_L = 100\Omega$

a.  $CTR = (I_C / I_F) \times 100\%$ .

Rank Mark	CTR (%)	Conditions
A	50 ~ 150	$I_F = \pm 1 \text{ mA}, V_{CE} = 5\text{V}, T_A = 25^\circ\text{C}$
No Mark	20 ~ 400	

Figure 1: Forward Current vs. Ambient Temperature

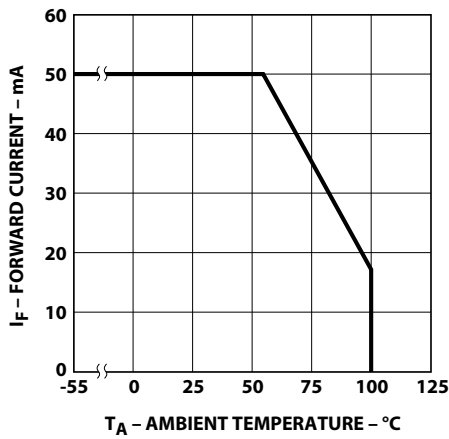


Figure 2: Collector Power Dissipation vs. Ambient Temperature

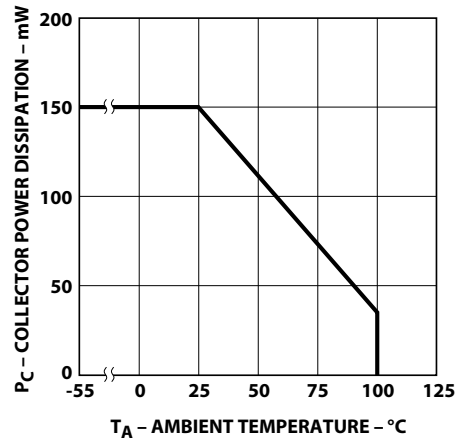


Figure 3: Collector-Emitter Saturation Voltage vs. Forward Current

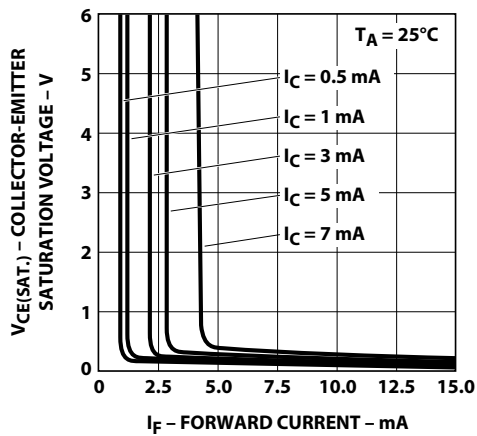


Figure 4: Forward Current vs. Forward Voltage

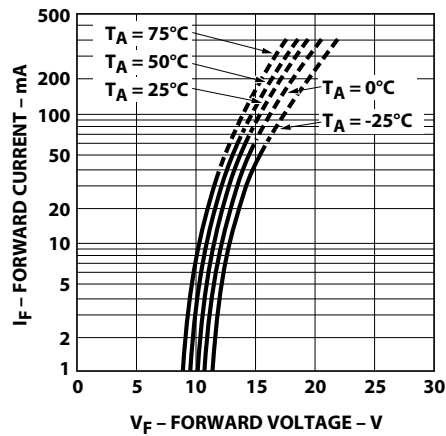


Figure 5: Current Transfer Ratio vs. Forward Current

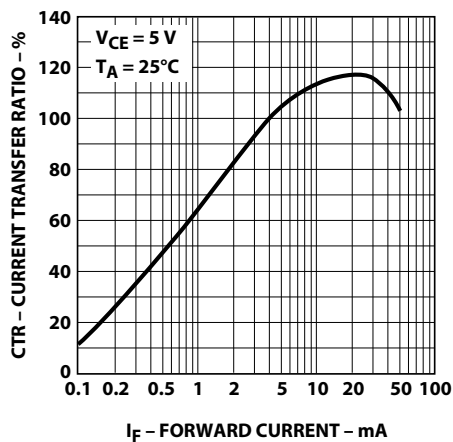


Figure 6: Collector Current vs. Collector-Emitter Voltage

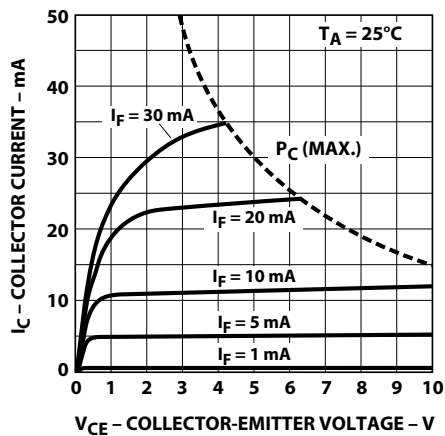


Figure 7: Relative Current Transfer Ratio vs. Ambient Temperature

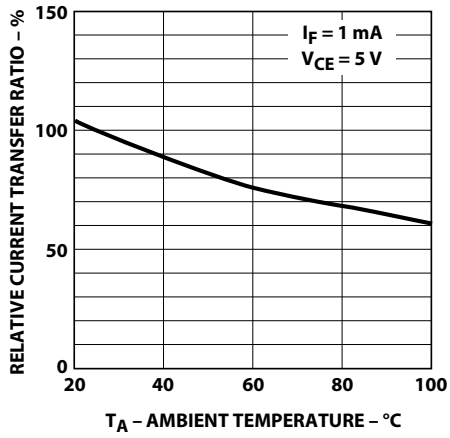


Figure 8: Collector-Emitter Saturation Voltage vs. Ambient Temperature

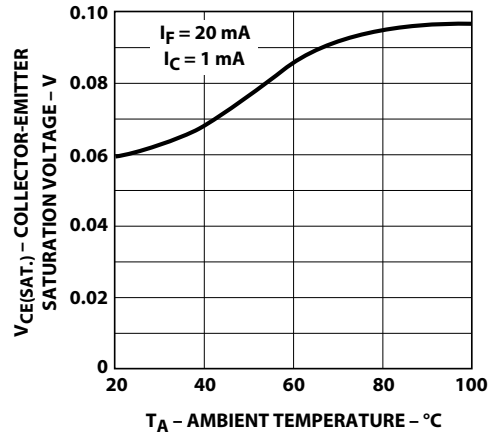


Figure 9: Collector Dark Current vs. Ambient Temperature

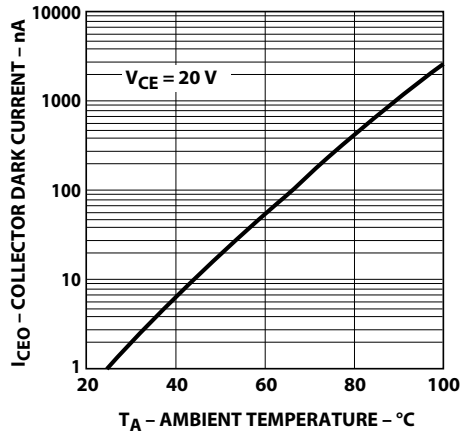


Figure 10: Response Time vs. Load Resistance

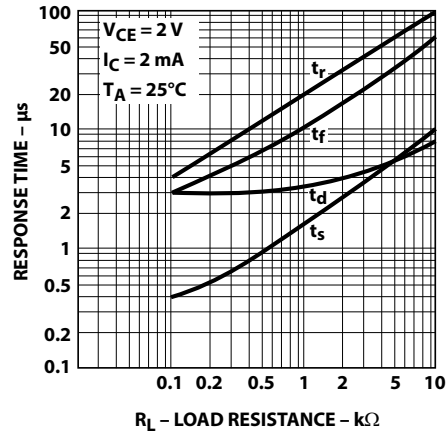


Figure 11: Frequency Response

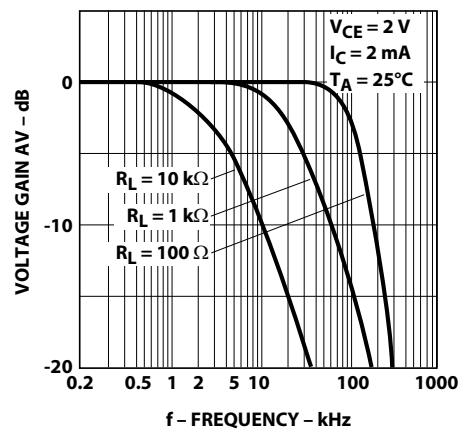


Figure 12: Test Circuit for Response Time

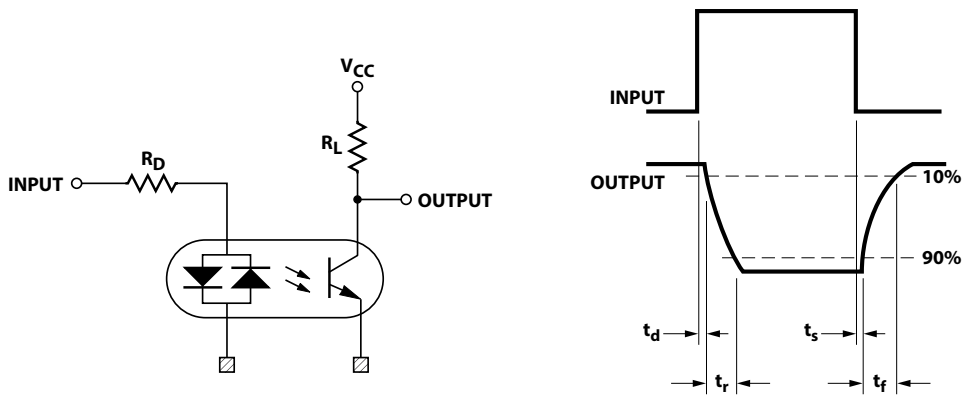
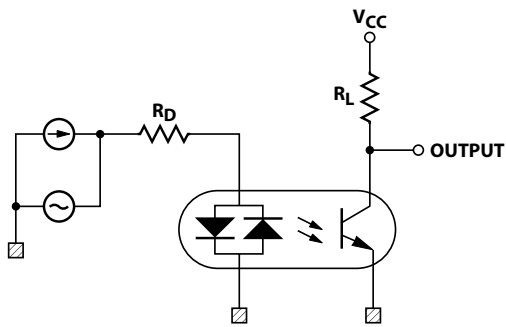


Figure 13: Test Circuit for Frequency Response



Copyright © 2007–2021 Broadcom. All Rights Reserved. The term “Broadcom” refers to Broadcom Inc. and/or its subsidiaries. For more information, go to [www.broadcom.com](http://www.broadcom.com). All trademarks, trade names, service marks, and logos referenced herein belong to their respective companies.

Broadcom reserves the right to make changes without further notice to any products or data herein to improve reliability, function, or design. Information furnished by Broadcom is believed to be accurate and reliable. However, Broadcom does not assume any liability arising out of the application or use of this information, nor the application or use of any product or circuit described herein, neither does it convey any license under its patent rights nor the rights of others.

