

6

5

4

3

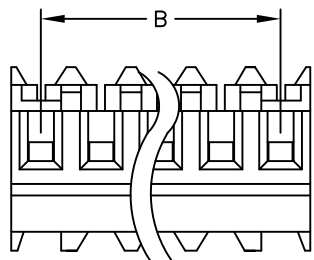
2

1

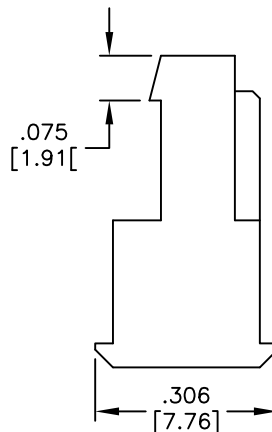
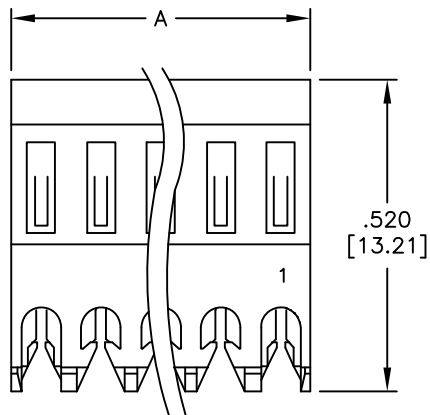
APPROVED: _____

DATE: _____ TITLE: _____

Rev	AWO #	Description	Date	Appr
-		RELEASED	7/26/06	
A		REDRAWN	11/26/10	
B		UPDATED BORDER	12/20/19	SS



PART NUMBER	WIRE SIZE	INSULATOR COLOR	CONTACT RESISTANCE
MTD-A-XX-C-1	22 AWG	RED	10mΩ Max.
MTD-A-XX-D-1	24 AWG	WHITE	15mΩ Max.
MTD-A-XX-E-1	26 AWG	BLUE	20mΩ Max.
MTD-A-XX-F-1	28 AWG	GREEN	30mΩ Max.



SPECIFICATIONS:

Material:
Insulator: Nylon 66, rated UL 94V-2
Contacts: Phosphor Bronze

Plating:
Tin over Copper underplate overall

Electrical:
Operating voltage: 250V AC/DC max.
Current rating: 3 Amps max.
Insulation resistance: 1,000 Mohms min.
Dielectric withstanding voltage: 1,500 VAC for 1 minute
Temperature Rating:

Operating temperature: -40°C to +105°C

Environmental:
Lead free, RoHS compliant



Positions: 2 thru 24

A = .100 [2.54] x No. of Positions

B = .100 [2.54] x No. of Spaces

UNLESS OTHERWISE SPECIFIED
ALL DIMENSIONS ARE INCHES [MM]
TOLERANCES: EXCEPT AS NOTED
INCHES HOLES
.X ± .10 Ø.X ± .10
.XX ± .020 Ø.XX ± .015
.XXX ± .015 Ø.XXX ± .010

ADAM 909 Rahway Avenue,
TECH Union, NJ 07083
INTERCONNECTS Phone: 908-687-5000
Fax: 908-687-5710

TITLE
IDC MASS TERMINATION HOUSING
.100 [2.54] SPACING, FEED THRU

APPROVALS		DATE
DRAWN	SS	7/26/06
CHECKED		
APPROVED		

SIZE	PART NO.	REV.
X	MTD-A-XX-X-1	B
REF: S00004T	SCALE: NTS	SHEET 1 OF 1

6

5

4

3

2

1