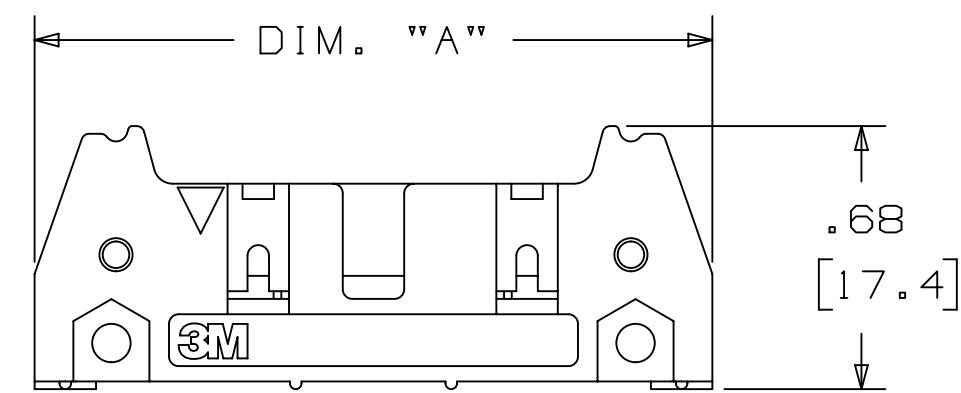
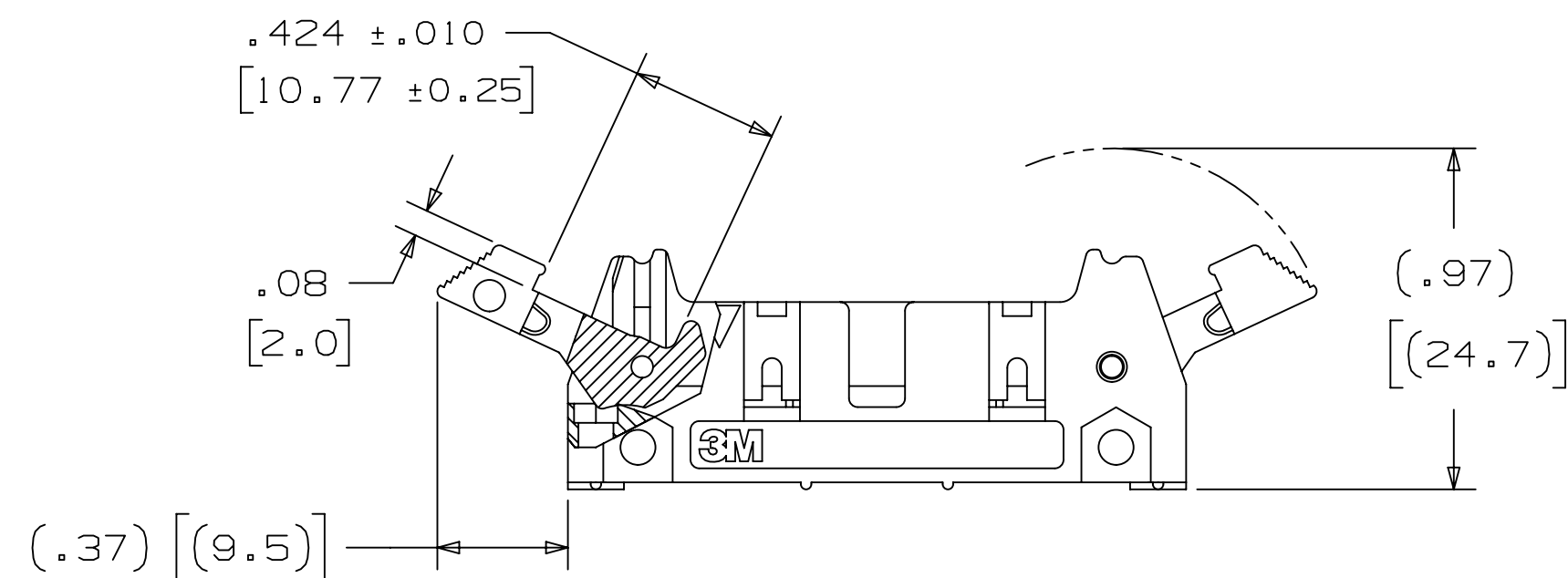


3M™ FOUR-WALL HEADER, 3000 SERIES

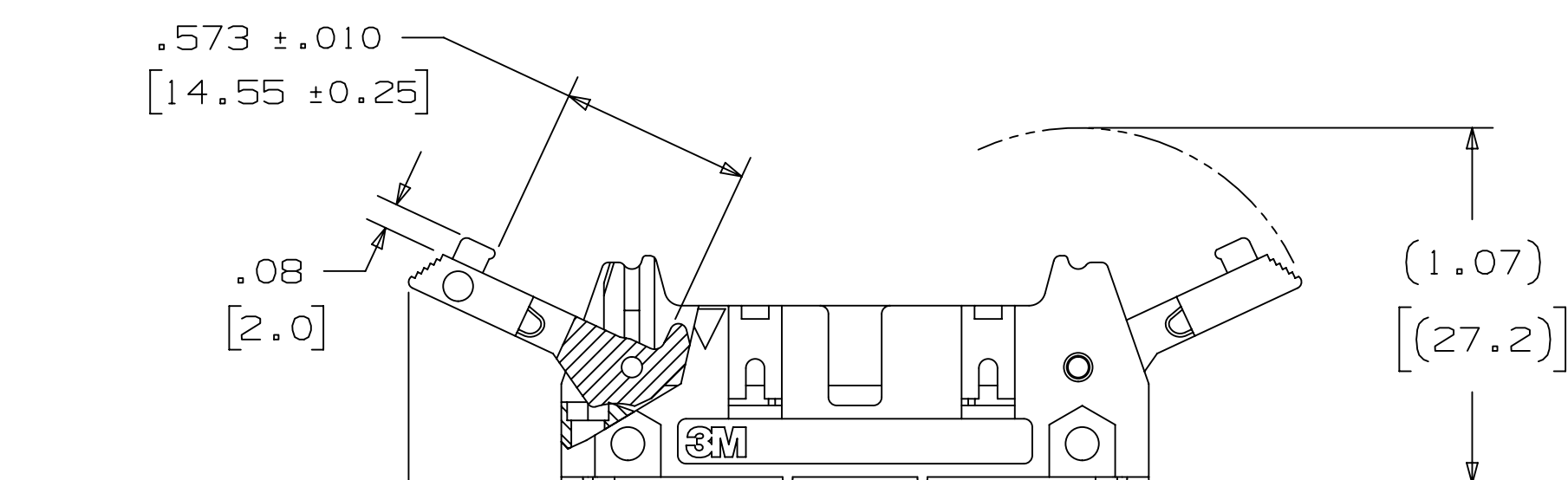
.100" X .100" LATCH/EJECTOR, STRAIGHT AND RIGHT ANGLE



-X0XX
HEADER WITHOUT LATCH/EJECTOR



-X2XX
HEADER WITH SHORT LATCH/EJECTOR
FOR 3M SOCKETS WITHOUT STRAIN RELIEF



-X3XX
HEADER WITH LONG LATCH/EJECTOR
FOR 3M SOCKETS WITH STRAIN RELIEF

ORDERING INFORMATION

D= HIGH TEMP BLACK (PCT)/(AR PLATING REQ'D)
N= HIGH TEMP BLACK (PCT)/(RB PLATING REQ'D)
BLANK= HIGH TEMP BLACK (PCT)/(EB PLATING REQ'D)

3M PART NUMBER:
(SEE TABLE 1)

PIN CONFIGURATION:
5 = RIGHT ANGLE SOLDER TAILS
6 = STRAIGHT SOLDER TAILS

PLATING:

AR = 50µ" - 150µ" [1.27µm - 3.81µm] NICKEL-OVERALL
10µ" [0.25µm] AVG. GOLD, 40-120µ" [1-3µm] MATTE TIN TAILS
RB = 50µ" - 150µ" [1.27µm - 3.81µm] NICKEL-OVERALL
30µ" [0.76µm] AVG. GOLD, 200µ" [5.08µm] MATTE TIN TAILS
EB OR BLANK, WWT TAIL OPTION 05 ONLY =
50µ" - 150µ" [1.27µm - 3.81µm] NICKEL-OVERALL
30µ" [0.76µm] AVG. GOLD, FLASH GOLD TAIL

TAIL:

02 = FOR .062 [1.57] THICK BOARD (N & D)
03 = FOR .094 TO .125 [2.39 TO 3.18] THICK BOARD (N ONLY)
05 = WWT FOR UP TO 3 LEVELS OF WIRE WRAP (N OR BLANK)

LATCH/EJECTOR SYSTEM:

0 = NO LATCH/EJECTOR INSTALLED
2 = SHORT ROLL PIN LATCH/EJECTORS
3 = LONG ROLL PIN LATCH/EJECTORS

3M ELECTRONICS MATERIALS SOLUTIONS DIVISION
INTERCONNECT SOLUTIONS
<http://www.3M.com/interconnect>

3M IS A TRADEMARK OF 3M COMPANY.
FOR TECHNICAL, SALES OR ORDERING
INFORMATION CALL 800-225-5373

- * MILITARY (WITH 3M'S N3518 POLARIZING KEY) AND CENTERBUMP POLARIZATION.
- * OPTIONAL EJECTOR LATCHES.
- * MOUNTING HOLES FOR SECURING HEADER TO BOARD.
- * OPTIONAL POLARIZING POSTS AVAILABLE.
- * HIGH TEMPERATURE INSULATOR SUITABLE FOR "NO LEAD" SOLDERING OPERATIONS.
- * SUITABLE FOR REFLOW SOLDERING USING "PASTE IN HOLE" TECHNIQUES.
- * STRAIGHT, RIGHT ANGLE, WIRE WRAP TAIL SOLDER TAIL OPTIONS.

2 PHYSICAL:

INSULATOR: HIGH TEMP GLASS FILLED POLYESTER (PCT)
MATERIAL: UL94V-0
FLAMMABILITY: COLOR: BLACK
CONTACT: COPPER ALLOY
MATERIAL: PLATING: NICKEL-OVERALL (SEE ORDERING INFORMATION)
UNDER PLATING: WIPING AREA: GOLD (SEE ORDERING INFORMATION)
SOLDER TAILS: MATTE TIN (SEE ORDERING INFORMATION)
MARKINGS: 3M LOGO, PART IDENTIFICATION NUMBER AND ORIENTATION TRIANGLE

2 ELECTRICAL:

EIA CURRENT RATING: 5.00A, 1 CONTACT POWERED
3.00A, 6 CONTACTS POWERED
1.75A, ALL CONTACTS POWERED
RATING CONDITIONS: EIA-364-070 METHOD 2, 30°C MAXIMUM TEMPERATURE RISE, 20% DERATED. REFERENCE APPROPRIATE 3M PRODUCT SPECIFICATION FOR DETAILED CURRENT DERATING CURVES.
INSULATION RESISTANCE: >1 X 10⁹Ω AT 500 V_{DC}
WITHSTANDING VOLTAGE: 1,000V_{RMS} AT SEA LEVEL
UL CURRENT RATING: 1.0A ALL LINES POWERED
UL VOLTAGE RATING: 125V

2 ENVIRONMENTAL:

UL TEMPERATURE RATING: 130C
EIA TEMPERATURE RATING: -55°C TO 105°C
PROCESS RATING: 260°C, PER J-STD-020C, SINGLE PASS
MOISTURE SENSITIVITY LEVEL: 1 (PER J-STD-020C, SINGLE PASS)

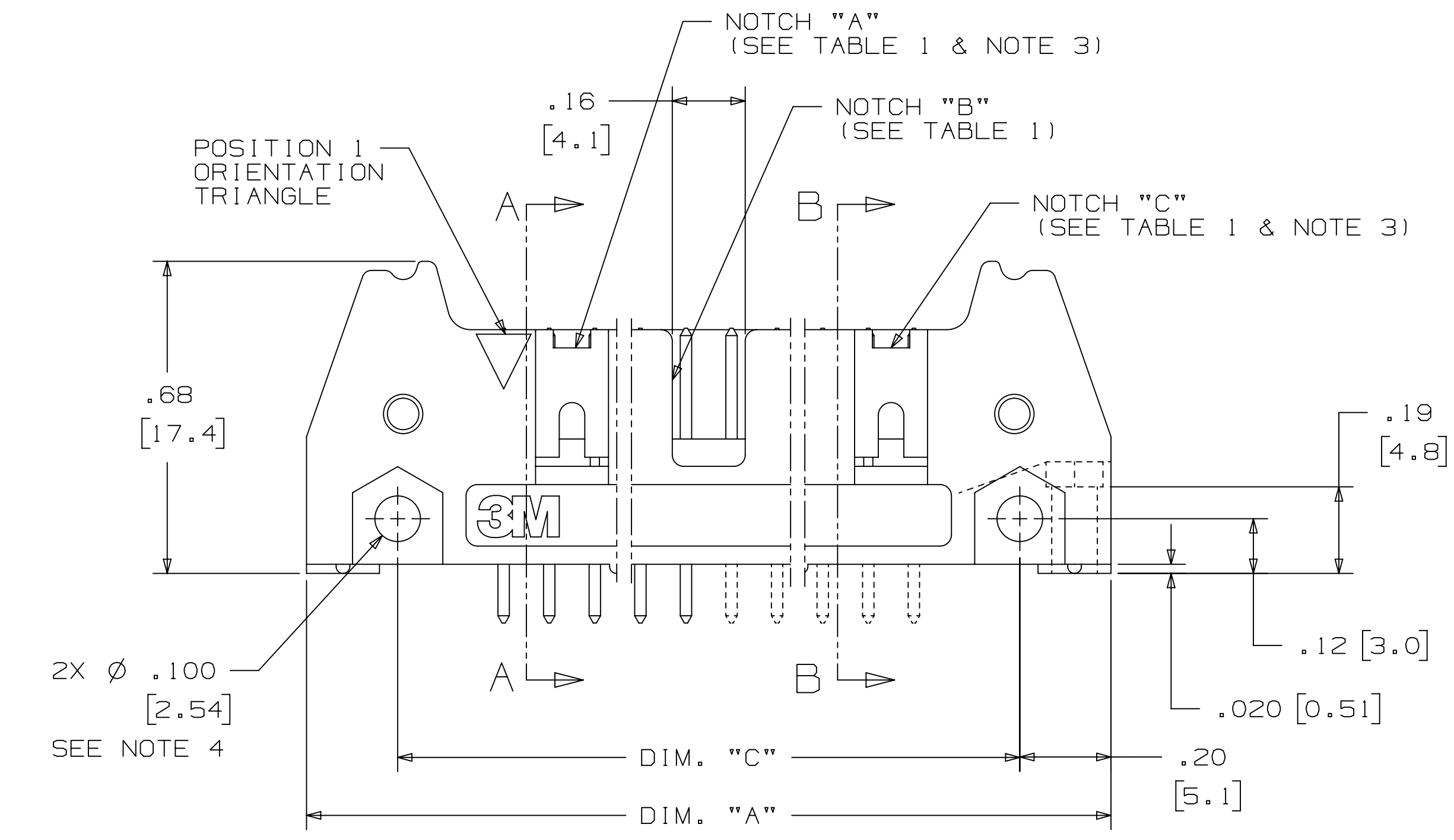
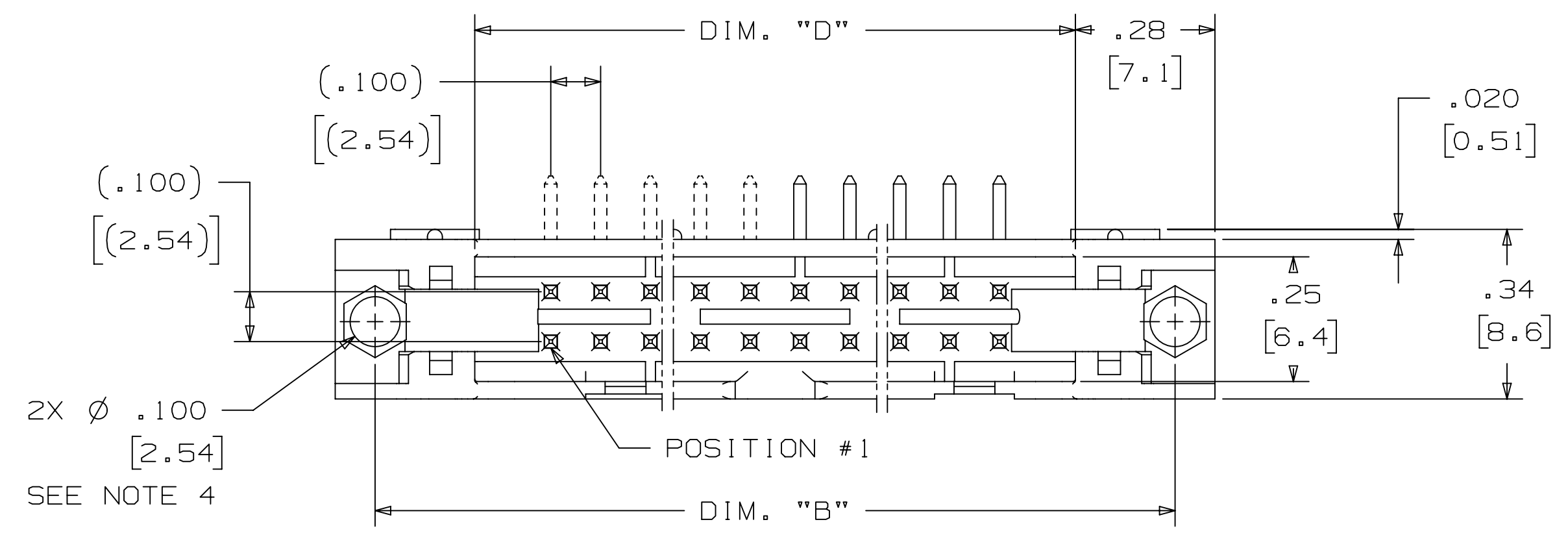
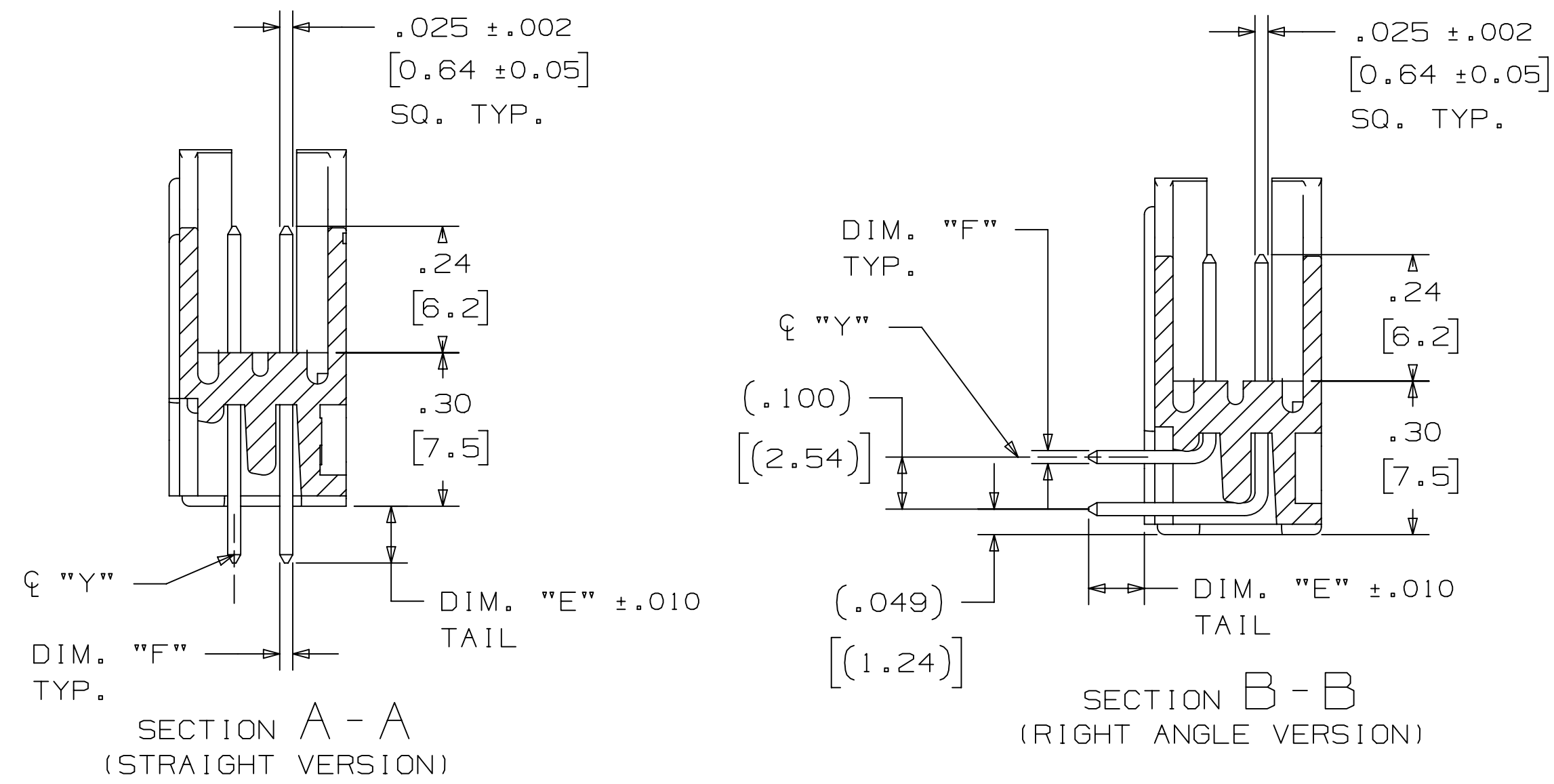
- NOTES
1. REGULATORY INFORMATION: VISIT 3M.com/regs
 2. IN THE EVENT OF CONFLICT BETWEEN THIS DATA AND THAT CONTAINED IN THE PRODUCT SPECIFICATION, THE PRODUCT SPECIFICATION TAKES PRECEDENT.
 3. NOTCHES A & C WILL ACCOMMODATE 3M POLARIZING KEY: N3518.
 4. MOUNTING HARDWARE: FROM SOLDER SIDE OF PC BOARD USE #4-24 THREAD CUTTING SCREW (3M PART #3341-5) WITH Ø.116 [2.95] MOUNTING HOLE. FOR RIGHT ANGLE VERSION ONLY: #2-56 BOLT AND NUT (3M PART #3341-6) WITH Ø.106 [2.69] MOUNTING HOLE MAY BE USED.

DIMENSIONS: INCHES [MM]
[MM] IS REF. ONLY

DESIGN REFERENCE	NEXT ASSEMBLY	REV	ECO	ISSUE DATE AND DESCRIPTION	DRFT	CHKD
		V	97909	JUN 22, 2021 REVISED ORDERING INFO	JNC	SAN
		U	93619	JAN 07, 2021 REMOVE TIN LEAD PLATING AND KINK TAILS	JNC	SAN
		T	62689	JUL 10, 2015 ADD 5X05 OPTION AND REVISE NOTES	JNC	SN
		S	60056	MAR 06, 2015 REVISED ORDERING NUMBER	JNC	RS
		R	56068	JUL 25, 2014 REVISED AND REDRAWN	JNC	RS
		OKD	CASTIGLIONE	DATE: JUL 25, 2014	DATE: MFG	DATE: SEP 05, 2014
		OKD		DATE: APPV: R. SCHERER	DATE: MFG	DATE: SEP 05, 2014
Division: Interconnect Solutions	Division Code: EMSD					
DO NOT SCALE DRAWING	SCALE: 2/1	TOLERANCES EXCEPT AS NOTED INCHES: .0 ± .1, .00 ± .01, .000 ± .005, .0000 ± .0002 MILLIMETERS: 0 ± 2, .0 ± .3, .00 ± .13, .000 ± .005				
THIRD ANGLE PROJECTION	INTERPRET PER ASME Y14.5 - 2018	TITLE: 4-WALL HEADER, .100 X .100 LATCH/EJECT, STRAIGHT & RA CAGE NUMBER: D78-5100-0772-3 MODEL: 3400 DET: [] YES [] NO SHT 1 OF 5				
MAX SURFACE ROUGHNESS: [] ALL SURFACES [] MARKED ONLY	ANGLES: []					

UL FILE NO: E68080

3M™ FOUR-WALL HEADER, 3000 SERIES
 .100" X .100" LATCH/EJECTOR, STRAIGHT AND RIGHT ANGLE



PIN QTY.	3M PART NUMBER	DIM. "A"	DIM. "B"	DIM. "C"	DIM. "D"	POLARIZING NOTCHES	PIN QTY.
06	3869	1.06 [27.0]	.905 [22.99]	.665 [16.89]	.51 [12.9]	B*	06
08	3889	1.16 [29.5]	1.005 [25.53]	.765 [19.43]	.61 [15.5]	B*	08
10	3793	1.26 [32.1]	1.105 [28.04]	.865 [21.97]	.71 [18.0]	BC	10
14	3314	1.46 [37.2]	1.305 [33.12]	1.065 [27.05]	.91 [23.1]	BC	14
16	3408	1.56 [39.7]	1.405 [35.66]	1.165 [29.59]	1.01 [25.6]	ABC	16
20	3428	1.76 [44.8]	1.604 [40.74]	1.365 [34.67]	1.21 [30.7]	ABC	20
24	3627	1.96 [49.9]	1.805 [45.82]	1.565 [39.75]	1.41 [35.8]	ABC	24
26	3429	2.06 [52.4]	1.905 [48.36]	1.665 [42.29]	1.51 [38.3]	ABC	26
30	3440	2.26 [57.5]	2.105 [53.44]	1.865 [47.37]	1.71 [43.4]	ABC	30
34	3431	2.46 [62.6]	2.305 [58.52]	2.065 [52.45]	1.91 [48.5]	ABC	34
40	3432	2.76 [70.2]	2.605 [66.14]	2.365 [60.07]	2.21 [56.1]	ABC	40
50	3433	3.26 [82.9]	3.105 [78.84]	2.865 [72.77]	2.71 [68.8]	ABC	50
60	3372	3.76 [95.6]	3.605 [91.54]	3.365 [85.47]	3.21 [81.5]	ABC	60
64	3764	3.96 [100.7]	3.805 [96.62]	3.565 [90.55]	3.41 [86.6]	ABC	64

* AVAILABLE WITHOUT CENTER NOTCH B. CONTACT 3M

3M PART NUMBER SUFFIX	CONTACT TAIL	DIM. "E"	PIN CROSS SECTION			DIM. "G"
			DIM. "F"	DIAGONALS	CORNER RADIUS	
-5XX2	.062 [1.57] THICK PC BOARD	.112 [2.84]	.0245+/- .0005 [.622]	.028+/- .001 [.71]	.0075 [.191] REF.	.035+/- .003 [.89] SEE NOTE 5
-6XX2						
-5X03	.094 [2.39] TO .125 [3.18] THICK PC BOARD	.155 [3.94]	.0245+/- .0005 [.622]	.028+/- .001 [.71]	.0075 [.191] REF.	.035+/- .003 [.89]
-6X03						
-5X05	WIRE WRAP TAIL FOR UP TO 3 LEVELS OF WIRE WRAP	.61 [15.5] REF.	.0250+/- .002 [.635]	.035+/- .003 [.89]	.003 [.08] MAX.	.045+/- .003 [1.14]

DESIGN REFERENCE	NEXT ASSEMBLY	REV	ECO	ISSUE DATE AND DESCRIPTION	DRFT	CHKD
		U	97909	JUN 22, 2021 REVISED ORDERING INFO	JNC	SAN
		T	62689	JUL 10, 2015 ADD 5X05 OPTION AND REVISE NOTES	JNC	SN
		S	60056	MAR 06, 2015 REVISE ORDERING NUMBER	JNC	RS
		R	56068	JUL 25, 2014 REVISED AND REDRAWN	JNC	RS
		U	93619	JAN 07, 2021 REMOVE TIN LEAD PLATING AND KINK TAILS	JNC	SAN
		V	97909	JUN 22, 2021 REVISED ORDERING INFO	JNC	SAN

DRG CODES	DRG CODES	DRG CODES	DRG CODES	DRG CODES	DRG CODES

DIVISION	Interconnect Solutions	DIVISION CODE	EMSD
DO NOT SCALE DRAWING	SCALE 4-1	TOLERANCES EXCEPT AS NOTED	
THIRD ANGLE PROJECTION		INCHES	0 ±.1 .00 ±.01 .000 ±.005 .0000 ±.0002
INTERPRET PER ASME Y14.5 - 2018		MILLIMETERS	0 ±.2 .00 ±.13 .000 ±.005
MAX SURFACE ROUGHNESS		MARKED ONLY	

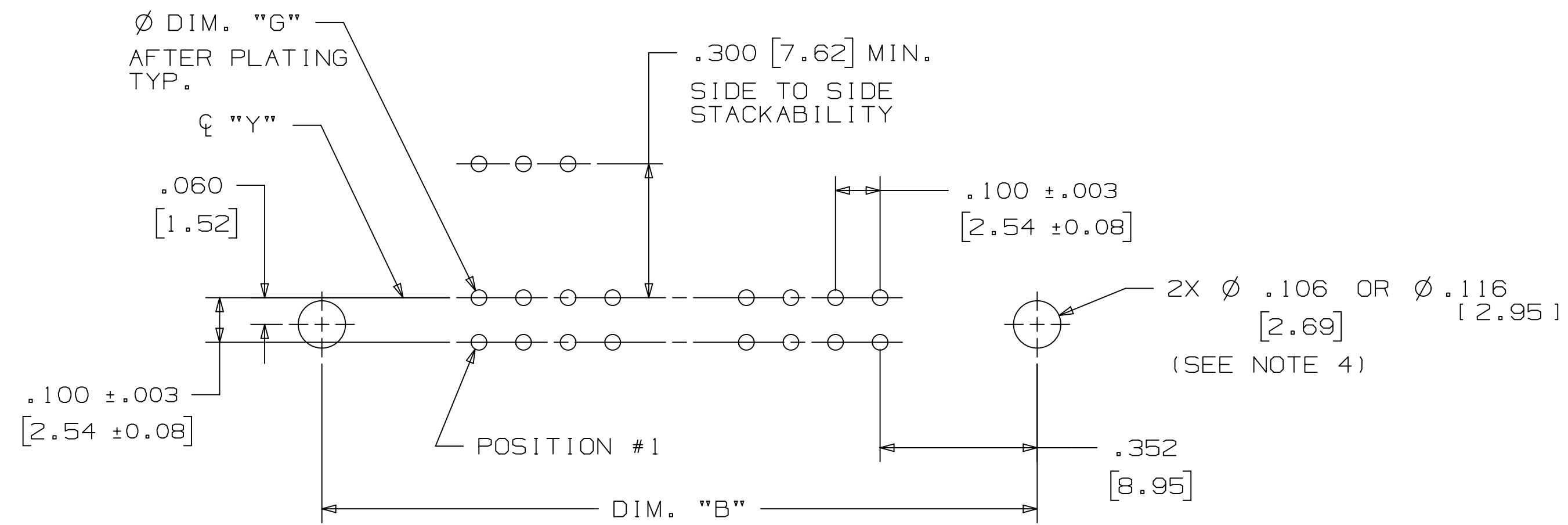
TITLE	4-WALL HEADER, .100 X .100 LATCH/EJECT, STRAIGHT & RA
CAGE NUMBER	D 78-5100-0772-3
SIZE	3400
DRAWING NO.	78-5100-0772-3
REV.	V

78-5100-0772-3
DRAWING NUMBER

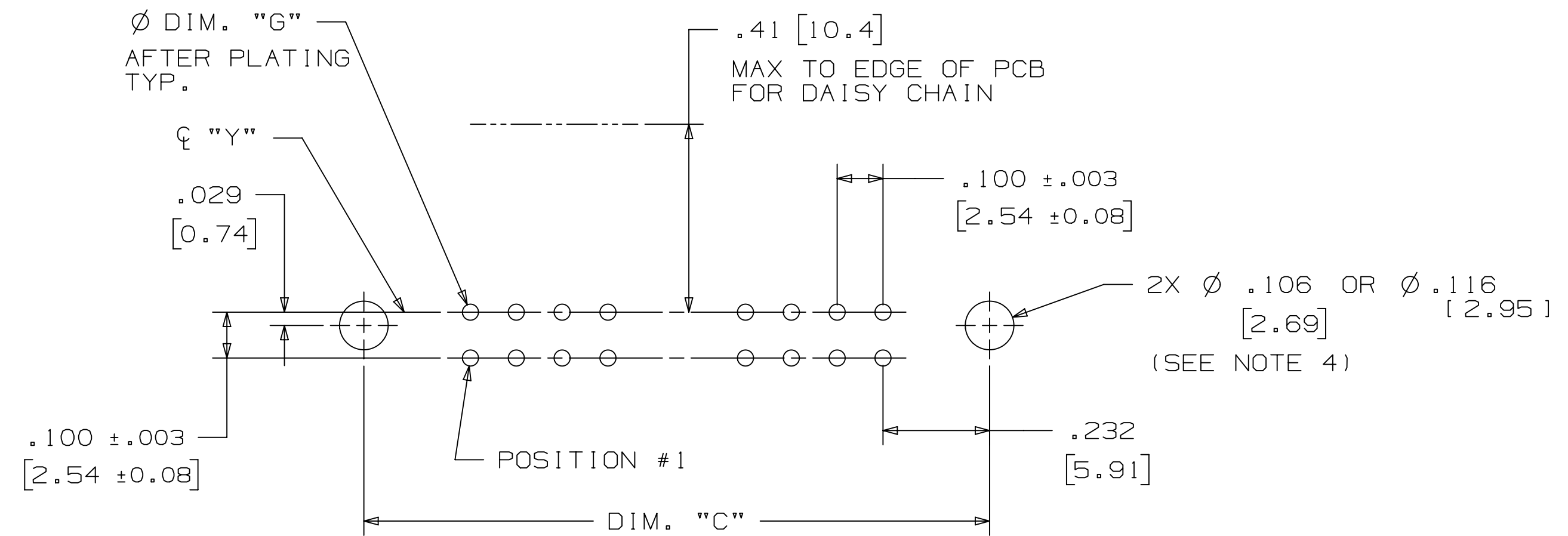
A

3M™ FOUR-WALL HEADER, 3000 SERIES

.100" X .100" LATCH/EJECTOR, STRAIGHT AND RIGHT ANGLE



RECOMMENDED MOUNTING HOLE PATTERN
(STRAIGHT VERSION)



RECOMMENDED MOUNTING HOLE PATTERN
(RIGHT ANGLE VERSION)

PART CUSTOMIZATION

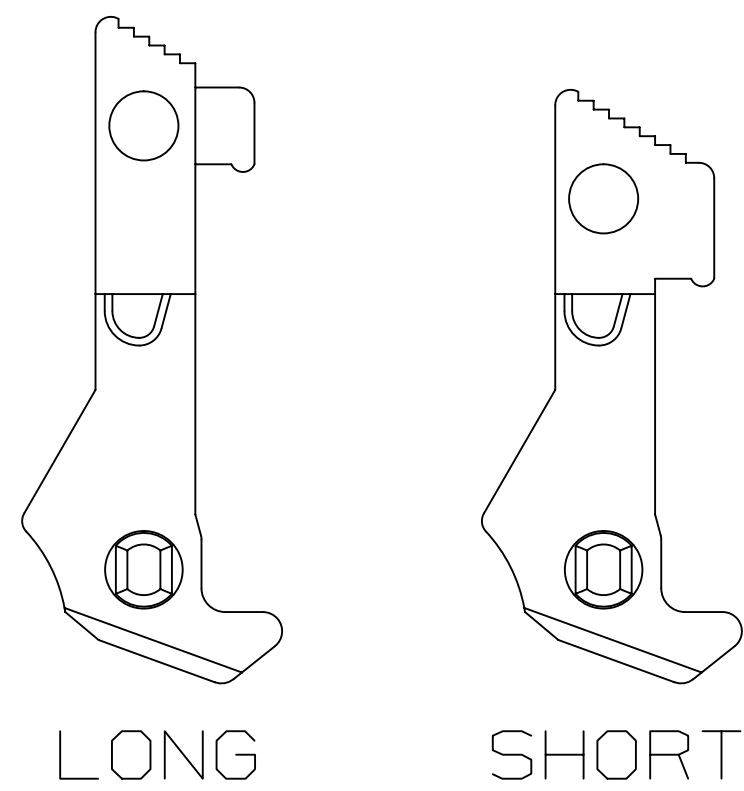
THIS SPEC SHEET DETAILS OUR STANDARD OFFERING.

3M HAS SEVERAL CAPABILITIES THAT CAN PROVIDE A PART TAILORED TO YOUR SPECIFIC NEEDS. ASK YOUR 3M SALES REPRESENTATIVE OR CUSTOMER SERVICE FOR MORE DETAILS.

BOTH SNAP-IN AND ROLL PIN LATCHES MAY BE ORDERED SEPARATELY. SNAP-IN AND ROLL PIN STYLE LATCHES ARE DIMENSIONALLY AND FUNCTIONALLY EQUIVALENT. IF ORDERING SNAP-IN OR ROLL PIN STYLE LATCHES SEPARATELY, PLEASE USE THE BELOW CHART.

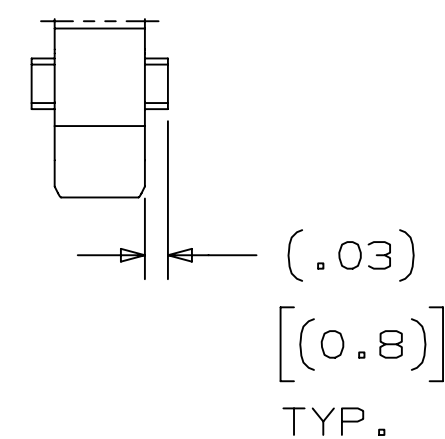
MATERIAL	SHORT LATCH	LONG LATCH	LATCH STYLE	COLOR
HIGH TEMP. (PCT)	N3505-2B	N3505-3B	ROLL PIN	BLACK
HIGH TEMP (PPA)	N3505-30B	N3505-31B	SNAP-IN	BLACK

- * SELECTIVE PIN REMOVAL (ATA OR OTHER COMPATABILITY)
- * WIRE WRAP TAILS STYLE

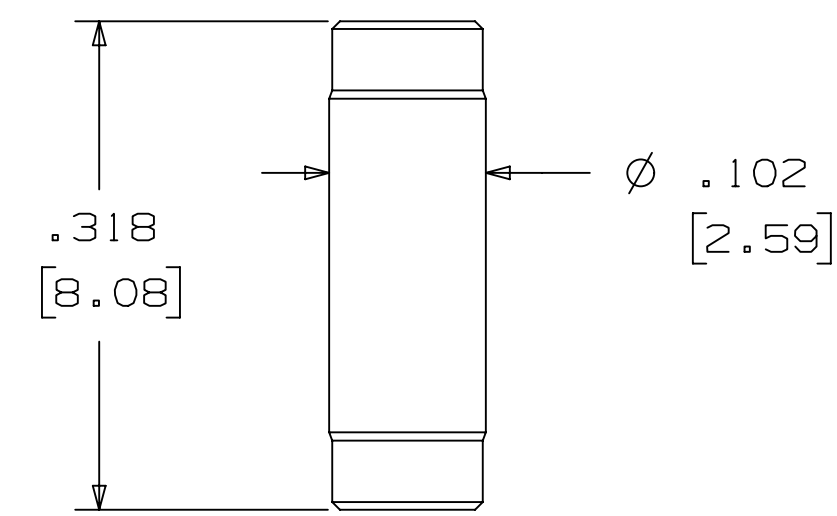


SNAP-IN LATCHES

NOTE:
SNAP-IN LATCHES CAN ONLY BE ORDERED SEPARATELY AND ARE THE CUSTOMERS RESPONSIBILITY TO INSTALL.



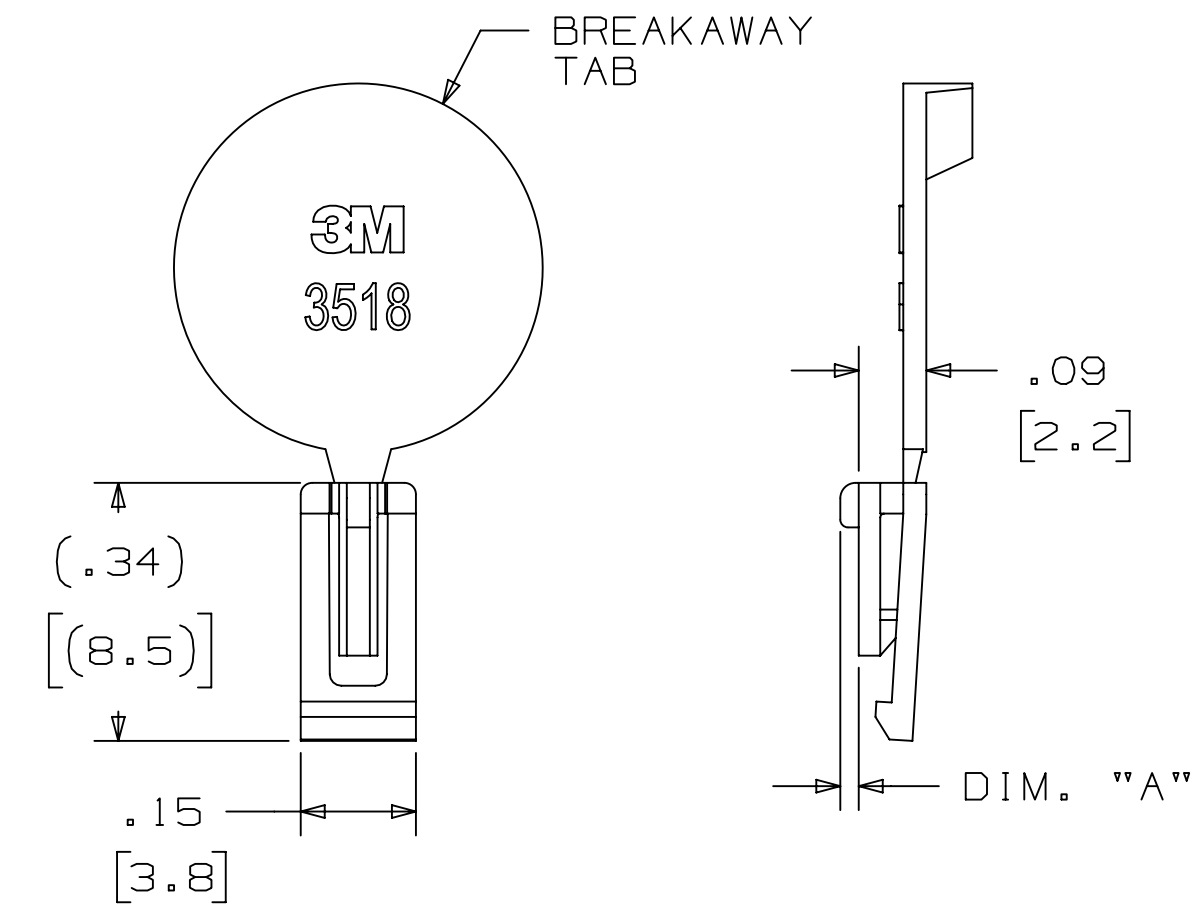
POLARIZING POST



3M PART NO.	MATERIAL	COLOR
3201-4	LCP	BLACK

NOTE:
INSERT POST INTO ONE MOUNTING HARDWARE HOLE ON BOTTOM OF HEADER. SET POST TO PROTRUDE .115 [2.92]

POLARIZING KEYS



3M PART NO.	MATERIAL	COLOR	DIM. "A"
N3518	LCP	BLACK	.02

NOTE:
#2216 B/A SCOTCHWELD CAN BE USED TO ADHERE KEYS.

REV	ECO	ISSUE DATE AND DESCRIPTION	DRFT	CHKD
V	97909	JUN 22, 2021 REVISED ORDERING INFO	JNC	SAN
U	93619	JAN 07, 2021 REMOVE TIN LEAD PLATING AND KINK TAILS	JNC	SAN
T	62689	JUL 10, 2015 ADD 5X05 OPTION AND REVISE NOTES	JNC	SN
S	60056	MAR 06, 2015 REVISE ORDERING NUMBER	JNC	RS
R	56068	JUL 25, 2014 REVISED AND REDRAWN	JNC	RS
REV	ECO	ISSUE DATE AND DESCRIPTION	DRFT	CHKD
DRFT	CASTIGLIONE	DATE JUL 25, 2014	MFG	DATE
CHKD		DATE	APPR	DATE
			R. SCHERER	SEP 05, 2014

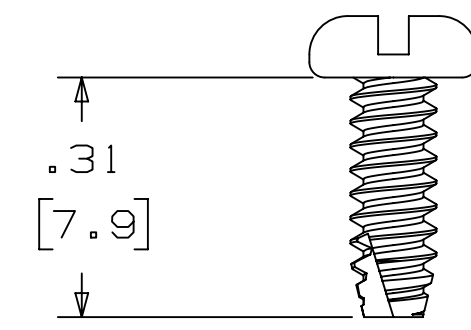
DESIGN REFERENCE	NEXT ASSEMBLY	DIVISION CODE	EMSD
		Interconnect Solutions	EMSD
DO NOT SCALE DRAWING	SCALE 4/1	TOLERANCES EXCEPT AS NOTED	
THIRD ANGLE PROJECTION		INCHES .0 ±.1 .00 ±.01 .000 ±.005 .0000 ±.0002	
INTERPRET PER ASME Y14.5 - 2018		MILLIMETERS 0 ±2 .0 ±.3 .00 ±.13 .000 ±.005	
MAX SURFACE ROUGHNESS		ANGLES	
MARKED ONLY			

TITLE	CAGE NUMBER	SIZE	DRAWING NO.	REV.
4-WALL HEADER, .100 X .100 LATCH/EJECT, STRAIGHT & RA	D	78-5100-0772-3	V	
MODEL	3400	DET	YES NO	SHT 3 OF 5

78-5100-0772-3 V REVISION DRAWING NUMBER

3M™ FOUR-WALL HEADER, 3000 SERIES
 .100" X .100" LATCH/EJECTOR, STRAIGHT AND RIGHT ANGLE

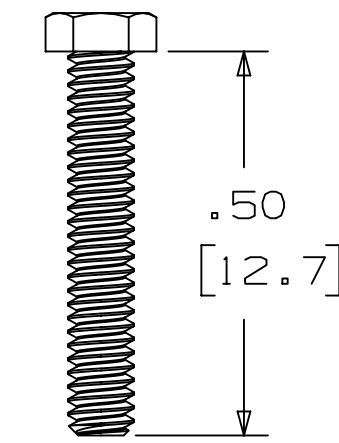
MOUNTING HARDWARE



3341-5

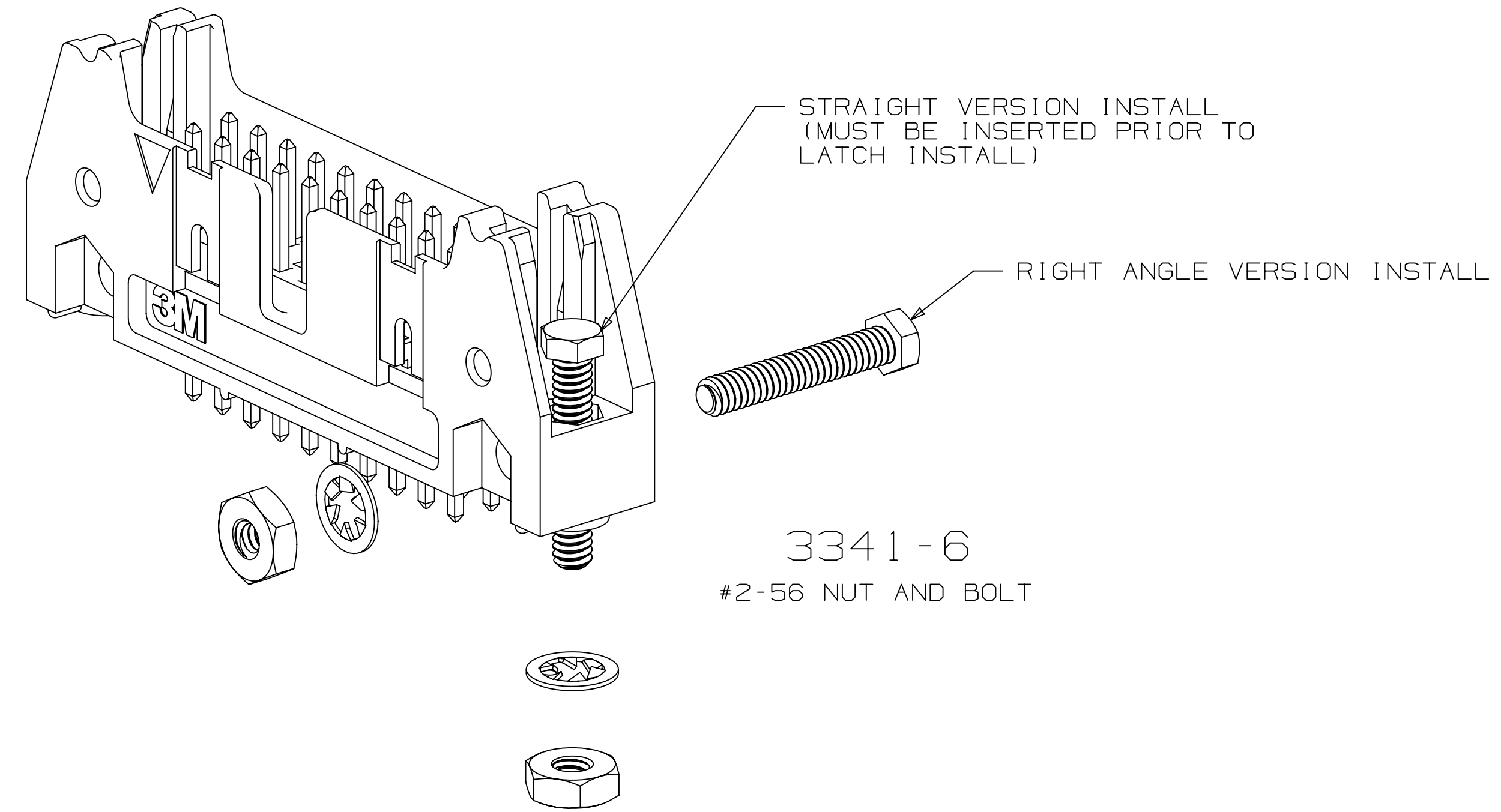
(INSTALL FROM BOTTOM OF BOARD)
 SEE NOTE 4

PANHEAD THREAD CUTTING SCREW:
 #4-24 X 5/16"
 TYPE: USA STD BT, FEDERAL BG
 MATERIAL: STAINLESS STEEL

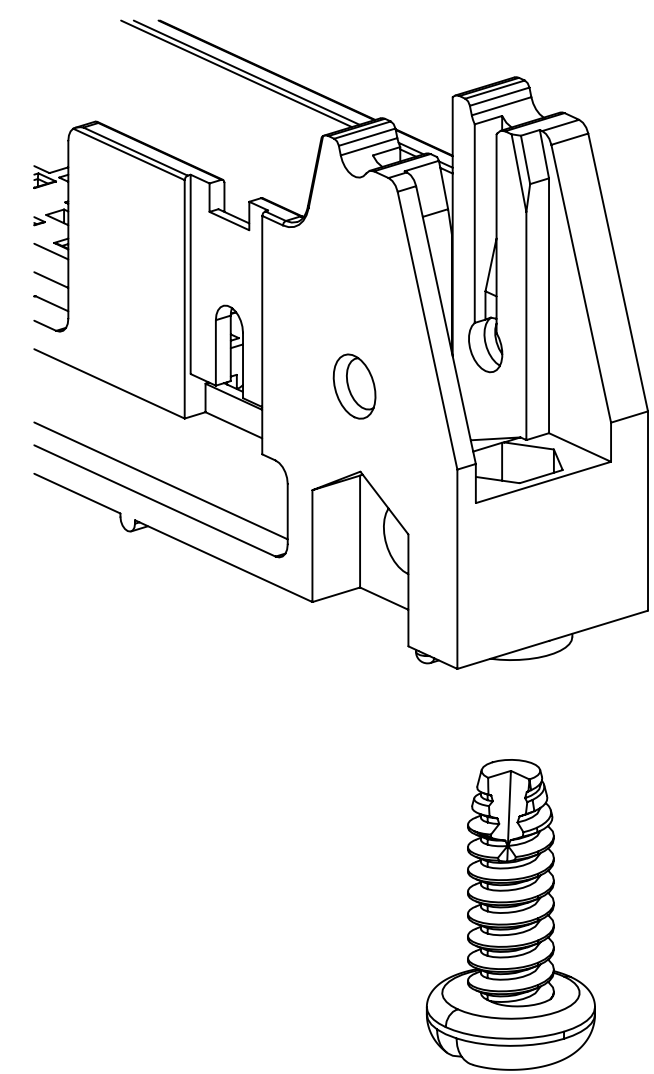


3341-6

HEX HEAD BOLT, NUT AND WASHER:
 BOLT - #2-56 X 1/2"
 MATERIAL: STAINLESS STEEL



3341-6
 #2-56 NUT AND BOLT



#4-24 TYPE BT SELF THREADING SCREW
 WHEN USING LATCHES, MAXIMUM LENGTH
 OF SCREW IS .250 INCHES PLUS
 THICKNESS OF THE BOARD.

3341-5

REV	ECO	ISSUE DATE AND DESCRIPTION	DRFT	CHKD
V	97909	JUN 22, 2021 REVISED ORDERING INFO	JNC	SAN
U	93619	JAN 07, 2021 REMOVE TIN LEAD PLATING AND KINK TAILS	JNC	SAN
T	62689	JUL 10, 2015 ADD 5X05 OPTION AND REVISE NOTES	JNC	SN
S	60056	MAR 06, 2015 REVISE ORDERING NUMBER	JNC	RS
R	56068	JUL 25, 2014 REVISED AND REDRAWN	JNC	RS

DESIGN REFERENCE	NEXT ASSEMBLY	REV	ECO	ISSUE DATE AND DESCRIPTION	DRFT	CHKD
		DRFT	CASTIGLIONE	DATE JUL 25, 2014	MFG	DATE
		CHKD		DATE	APPR	DATE
					R. SCHERER	05, 2014

Division Interconnect Solutions		Division Code EMSD	
DO NOT SCALE DRAWING	SCALE 4 1	TOLERANCES EXCEPT AS NOTED	
THIRD ANGLE PROJECTION		INCHES 0 ± .1 .00 ± .01 .000 ± .005 .0000 ± .0002	
INTERPRET PER ASME Y14.5 - 2018		MILLIMETERS 0 ± 2 .0 ± .3 .00 ± .13 .000 ± .005	
MAX SURFACE ROUGHNESS ALL SURFACES		CAGE NUMBER D78-5100-0772-3	
MARKED ONLY		MODEL 3400	

		© 3M COPYRIGHT 2021 This document and the information it contains are 3M property and may not be reproduced or further distributed without 3M permission, or used or disclosed other than for 3M authorized purposes. All rights reserved.	
TITLE 4-WALL HEADER, .100 X .100 LATCH/EJECT, STRAIGHT & RA			
CAGE NUMBER	SIZE	DRAWING NO.	REV.
D78-5100-0772-3	D	78-5100-0772-3	V
DET. <input type="checkbox"/> YES <input checked="" type="checkbox"/> NO		SHT 4 OF 5	

78-5100-0772-3
DRAWING NUMBER

A

8

7

6

5

4

3

2

1

3M™ FOUR-WALL HEADER, 3000 SERIES

.100" X .100" LATCH/EJECTOR, STRAIGHT AND RIGHT ANGLE

Regulatory: For regulatory information about this product, visit 3M.com/regs or contact your 3M representative.

Technical Information: The technical information, recommendations and other statements contained in this document are based upon tests or experience that 3M believes are reliable, but the accuracy or completeness of such information is not guaranteed.


Product Use: Many factors beyond 3M's control and uniquely within user's control can affect the use and performance of a 3M product in a particular application. Given the variety of factors that can affect the use and performance of a 3M product, user is solely responsible for evaluating the 3M product and determining whether it is fit for a particular purpose and suitable for user's method of application.

Warranty, Limited Remedy, and Disclaimer: Unless an additional warranty is specifically stated on the applicable 3M product packaging or product literature, 3M warrants that each 3M product meets the applicable 3M product specification at the time 3M ships the product. 3M MAKES NO OTHER WARRANTIES OR CONDITIONS, EXPRESS OR IMPLIED, INCLUDING, BUT NOT LIMITED TO, ANY IMPLIED WARRANTY OR CONDITION OF MERCHANTABILITY OR FITNESS FOR A PARTICULAR PURPOSE OR ANY IMPLIED WARRANTY OR CONDITION ARISING OUT OF A COURSE OF DEALING, CUSTOM OR USAGE OR TRADE. If the 3M product does not conform to this warranty, then the sole and exclusive remedy is, at 3M's option, replacement of the 3M product or refund of the purchase price.

Limitation of Liability: Except where prohibited by law, 3M will not be liable for any loss or damage arising from the 3M product, whether direct, indirect, special, incidental or consequential, regardless of the legal theory asserted, including warranty, contract, negligence or strict liability.

3M Company
Electronics Materials Solutions Division
13011 McCallen Pass, Bldg. C
Austin, TX 78753-5380
1-800-225-5373
www.3M.com/interconnect

REV	ECO	ISSUE DATE AND DESCRIPTION	DRFT	CHKD
V	97909	JUN 22,2021 REVISED ORDERING INFO	JNC	SAN
U	93619	JAN 07,2021 REMOVE TIN LEAD PLATING AND KINK TAILS	JNC	SAN
T	62689	JUL 10,2015 ADD 5X05 OPTION AND REVISE NOTES	JNC	SN
S	60056	MAR 06,2015 REVISE ORDERING NUMBER	JNC	RS
R	56068	JUL 25,2014 REVISED AND REDRAWN	JNC	RS

DESIGN REFERENCE	NEXT ASSEMBLY	REV	ECO	ISSUE DATE AND DESCRIPTION	DRFT	CHKD
		DRFT	CASTIGLIONE	DATE JUL 25,2014	MFG	DATE
		CHKD		DATE	APPR	DATE
				R. SCHERER		SEP 05,2014
DIVISION	Interconnect Solutions	DIVISION CODE	EMSD	 © 3M COPYRIGHT 2021 This document and the information it contains are 3M property and may not be reproduced or further distributed without 3M permission, or used or disclosed other than for 3M authorized purposes. All rights reserved.		
DO NOT SCALE DRAWING	SCALE 4/1	TOLERANCES EXCEPT AS NOTED	INCHES .0 ± .1 .00 ± .01 .000 ± .005 .0000 ± .0002			
THIRD ANGLE PROJECTION	INTERPRET PER ASME Y14.5 - 2018	MILLIMETERS	0 ± 2 .0 ± .3 .00 ± .13 .000 ± .005			
MAX SURFACE ROUGHNESS	ALL SURFACES	MARKED ONLY	CAGE NUMBER	SIZE	DRAWING NO.	REV.
			D	78-5100-0772-3	V	
			MODEL	3400	DET	IS1S <input type="checkbox"/> YES <input checked="" type="checkbox"/> NO SHT 5 OF 5

8

7

6

5

4

3

2

1

78-5100-0772-3
DRAWING NUMBER

REVISION