

Printed Circuit Mount

# MPC / DMPC Series

Triple Output Transformers

## For 5 VDC and $\pm 12$ VDC or $\pm 15$ VDC Regulated Power Supplies

Signal's MPC and DMPC transformers have all of the performance features of our PC and DPC series.

### General Specifications

- Power - 10 VA and 24 VA
- Dielectric Strength - 1500 Vrms Hipot
- Primaries - Single or dual primaries: 115 V or 115/230 V, 50-500 Hz
- Secondaries - Dual complementary outputs:  
5 VDC with  $\pm 12$  VDC or 5 VDC with  $\pm 15$  VDC
- Insulation System - Class B, 130° C, UL 1446 E66312
- Mounting Brackets - Available for 10 & 24 VA sizes, part numbers 10-BR and 24-BR, respectively

### Agency Certifications

- UL recognized to UL 506 / UL 5085-2, File # E63829
- CSA certified to C22.2 #66.1, File # 221070



# MPC / DMPC Series Datasheet

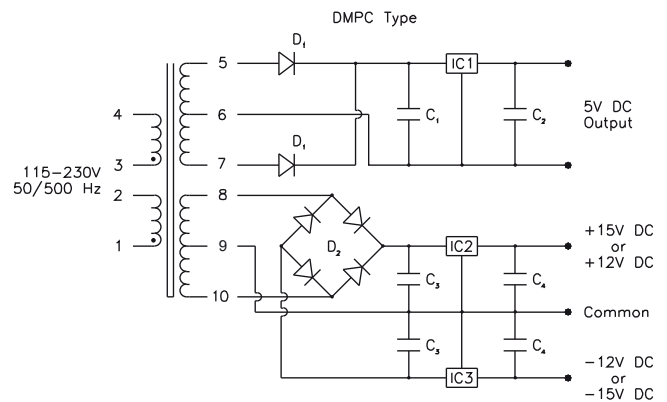
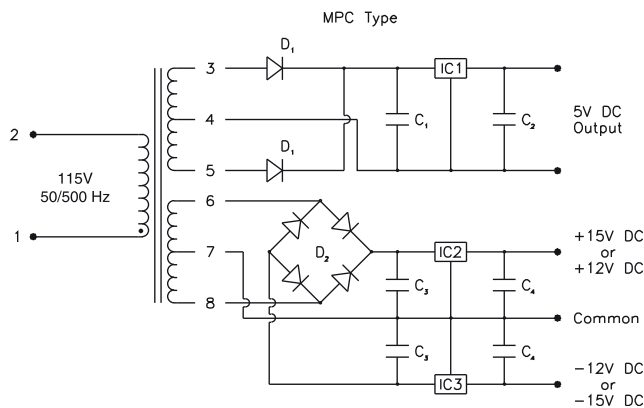
## Part Number Selection

Part Number		DC Output		Size
Primary 50/500 Hz		Regulator I	Regulator II	
115 V 8 Pin	115/230 V 10 Pin			
MPC-X-12	DMPC-X-12	5 VDC @ 360 mA	±12 VDC @ 60mA	X
MPC-X-15	DMPC-X-15	5 VDC @ 360 mA	±15 VDC @ 50 mA	X
MPC-Y-12	DMPC-Y-12	5 VDC @ 835 mA	±12 VDC @ 150 mA	Y
MPC-Y-15	DMPC-Y-15	5 VDC @ 835 mA	±15 VDC @ 130 mA	Y

## Suggested Components

Part Number		Size	Suggested Components							
Primary 50/500 Hz			C <sub>1</sub>	C <sub>2</sub>	C <sub>3</sub>	C <sub>4</sub>	D <sub>1</sub> (2)	D <sub>2</sub> (4)	IC <sub>1</sub> *	IC <sub>2</sub> *
115 V 8 Pin	115/230 V 10 Pin									
MPC-X-12	DMPC-X-12	X	2100 MFD 30 V	2.7 MFD 20 V	250 MFD 50 V	10 MFD 20 V	1N4001	1N4002	LM341P-5.0	LM326N
MPC-X-15	DMPC-X-15	X	2100 MFD 30 V	2.7 MFD 20 V	250 MFD 50 V	10 MFD 20 V	1N4001	1N4002	LM341P-5.0	LM325N
MPC-Y-12	DMPC-Y-12	Y	4000 MFD 20 V	2.7 MFD 20 V	1000 MFD 50 V	2.7 MFD 20 V	1N4001	1N4002	LM340K-5.0	LM326N
MPC-Y-15	DMPC-Y-15	Y	4000 MFD 20 V	2.7 MFD 20 V	1000 MFD 50 V	2.7 MFD 20 V	1N4001	1N4002	LM340K-5.0	LM325N

\* National Semiconductor



Custom versions available upon request.



128 Atlantic Avenue, Lynbrook, NY 11563  
Toll Free 866-239-5777 | Tel 516-239-5777 | Fax 516-239-7208  
sales@signaltransformer.com | techhelp@signaltransformer.com

[belfuse.com/signal](http://belfuse.com/signal)

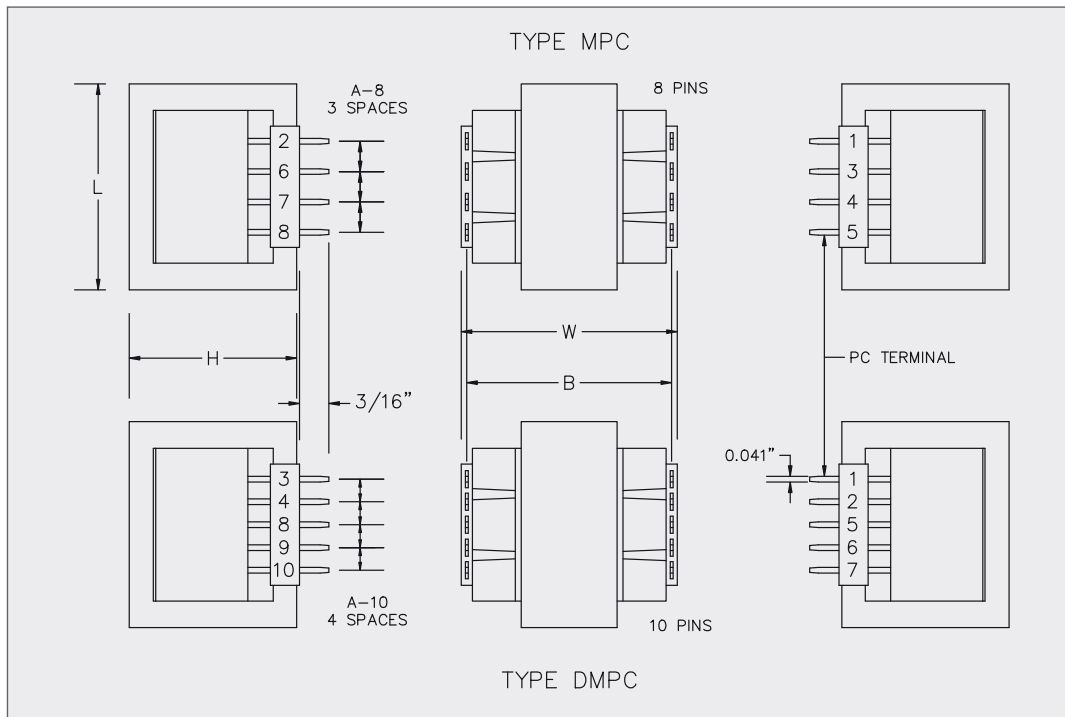
# MPC / DMPC Series Datasheet

## Mechanical Specifications

Size	L	W	H	A-8 8 Pin	A-10 10 Pin	B	Weight	Optional Bracket		
								Number	MW	MD
									Inches (mm)	
Inches (mm)								lbs (kg)		
X	1.87 (47.6)	1.43 (36.5)	1.64 (41.7)	0.25 (6.4)	0.20 (5.1)	1.30 (33.0)	0.56 (0.25)	10-BR	1.64 (41.6)	1.12 (28.6)
Y	1.62 (41.3)	2.25 (57.2)	1.37 (34.9)	0.25 (6.4)	0.20 (5.1)	2.10 (53.3)	0.75 (0.34)	24-BR	1.37 (34.9)	2.00 (50.8)

\* An optional slide on mounting bracket is available for sizes 10 & 24.  
These brackets do not consume any additional board space but add 1/32" to the transformer's height.

See Accessories page for mounting brackets.



Custom versions available upon request.



128 Atlantic Avenue, Lynbrook, NY 11563  
Toll Free 866-239-5777 | Tel 516-239-5777 | Fax 516-239-7208  
sales@signaltransformer.com | techhelp@signaltransformer.com

[belfuse.com/signal](http://belfuse.com/signal)