

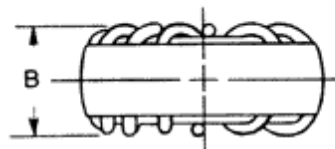
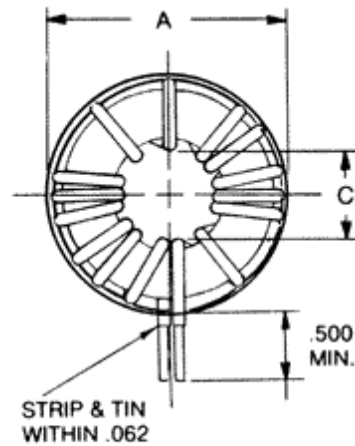


Quality Products. Service Excellence.

High Current Toroid Inductors 1540 Series

Features

- Ideal for EMI/RFI filtering applications
- Suitable for energy storage inductors for switching power supplies.
- High current
- Minimum .5" long leads, for P.C. board mounting.
- Storage temperature range: -20°C to 105°C
- Operating temperature range: -20°C to 85°C



Part No.	Inductance		Minimum Inductance at rated D.C. uH	D.C. Resistance max. Ohms	D.C. Amps for 0.8 Ls	Dimensions			Typ. Lead Diameter
	Ls +/- 15% @ 0A D.C. (uH)	Rated D.C Amps				A Maximum	B Maximum	C Minimum	
1540M01	10	11	5	0.008	7.5	0.88	0.44	0.19	0.06
1540M02	25	5.5	12	0.014	3.25	0.88	0.44	0.19	0.04
1540M03	125	2.75	70	0.12	1.5	0.88	0.44	0.19	0.02
1540M04	275	2	150	0.24	1.3	0.88	0.44	0.19	0.02
1540M05	450	1.5	250	0.49	0.8	0.88	0.44	0.19	0.01
1540M06	25	9	15	0.012	5.5	1.12	0.56	0.31	0.06
1540M07	75	5	40	0.04	3	1.12	0.56	0.31	0.04
1540M08	400	2.25	225	0.33	1.4	1.12	0.56	0.31	0.02
1540M09	800	1.75	475	0.64	1	1.12	0.56	0.31	0.01
1540M10	1000	1.5	575	0.98	0.9	1.12	0.56	0.31	0.01
1540M11	50	9.5	25	0.012	6	1.25	0.62	0.38	0.06
1540M12	150	4.75	85	0.046	2.5	1.25	0.62	0.38	0.04
1540M13	700	2.25	400	0.42	1.25	1.25	0.62	0.38	0.02
1540M14	1250	1.75	750	0.85	1	1.25	0.62	0.38	0.01
1540M15	1600	1.5	950	1.27	0.8	1.25	0.62	0.38	0.01

Part No.	Inductance	Rated D.C Amps	Minimum Inductance	D.C.	D.C. Amps	Dimensions			Typ.
	Ls +/- 15% @ 0A D.C. (uH)		at rated D.C. uH	Resistance max. Ohms	for 0.8 Ls	A Maximum	B Maximum	C Minimum	Lead Diameter
1540M16	125	7.75	65	0.032	5.25	1.81	0.75	0.75	0.06
1540M17	500	4	275	0.15	2.75	1.81	0.75	0.75	0.03
1540M18	1100	2.5	650	0.33	1.8	1.81	0.75	0.75	0.03
1540M19	2250	1.75	1350	0.92	1.3	1.81	0.75	0.75	0.08
1540M20	4500	1.25	2700	2.64	0.9	1.81	0.75	0.75	0.01
1540M21	250	8	125	0.041	4.75	2.12	0.94	0.62	0.06
1540M22	900	3.75	500	0.175	2	2.12	0.94	0.62	0.03
1540M23	1800	2.5	1000	0.55	1.4	2.12	0.94	0.62	0.02
1540M24	4000	1.75	2100	1.16	1.1	2.12	0.94	0.62	0.02
1540M25	8000	1	4500	3.34	0.7	2.12	0.94	0.62	0.01

Tags: inductor, toroid, high current, EMI, RFI, energy storage

Data subject to change without notice

© 2023. Hammond Manufacturing Ltd. All rights reserved.