

1

2

3

4

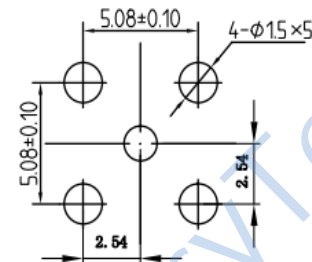
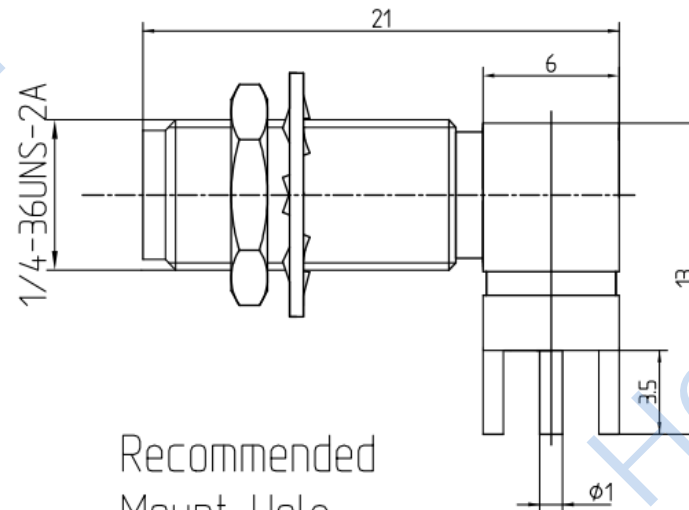
This document contains proprietary information and such information may not be disclosed to others for any purposes, not used for sales/marketing/procurement purposes without written permission

REV	DESCRIPTION OF REVISION	ECN NO.	BY	DATE	APPROVED
A	Initial Release	—	H.wei	12/7/06	12/7/06

- 1 Electrical
- 1.1 Impedance 50 Ω
- 1.2 Dielectric withstanding voltage 1000V(volts RMS)
- 1.3 Center contact resistance $\leq 3M\Omega$
- 1.4 Outer contact resistance $\leq 2M\Omega$
- 1.5 Insulation resistance: $\geq 5000M\Omega$

- 2 Environmental&Mechanical
- 2.1 Temperature range $-55^{\circ}\text{C} \sim 155^{\circ}\text{C}$
- 2.2 RoHs Compliant
- 2.3 Durability >500 cycles


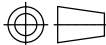
- 3 Materials&plating
- 3.1 Body: Brass, Gold plated
- 3.2 Insulator: Teflon
- 3.3 Contact Pin: Bronze Gold plated
- 3.5 Washer: Brass, Gold plated
- 3.6 Hex Nut: Brass, Gold plated



Tel: Lee +86-28-85589664
Web: www.hltchips.com

Notes:

- ALL SPECIFICATIONS ARE SUBJECT TO CHANGE NOTICE AT ANY TIME
- CUSTOMER OUTLINE DRAWING FOR REFERENCE ONLY

DRAWN: H.wei 12/07/06	TITLE:				
ENGINEER: L.yu 12/07/06	RF Coaxial Connector				
APPROVED: W.yi 12/07/06	SMA Female bulkhead Right	 DIMENSION IN MILLIMETERS (mm)			
TOLERANCES UNLESS OTHERWISE SPECIFIED	Angel Conn. For PCB				
X ±0.50	PART NO: HL-SMA-KYWH17	SIZE: A4	SCALE: N/A	SHEET: 1/1	REV: A
.X ±0.20					
.XX ±0.10					
ANGLES ±1°					

1

2

3

4