

1

2

3

4

This document contains proprietary information and such information may not be disclosed to others for any purposes, not used for sales/marketing/procurement purposes without written permission

REV	DESCRIPTION OF REVISION	ECN NO.	BY	DATE	APPROVED
A	Initial Release	—	H.wei	12/7/06	12/7/06

### 1 Electrical

- 1.1 Impedance: 50Ω
- 1.2 Frequency: DC-18GHz
- 1.3 VSWR: 1.25:1

### 2 Mechanical & Environmental

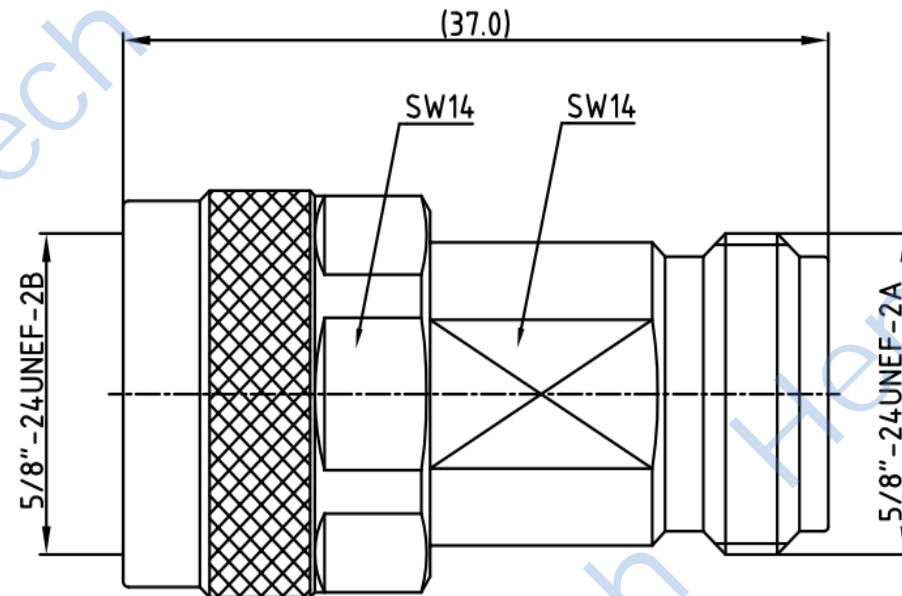
- 2.1 Temperature range -55°C ~ +165°C
- 2.2 Durability (matings) >500
- 2.3 RoHs Compliant Yes

### 3 Material & Finish

- 3.1 Pin contact: Beryllium-Copper, gold plated
- 3.2 Body: Stainless Steel (SU303), Passivated
- 3.3 Insulators: PEI

### 4 Interface Standards

- 4.1 N MIL-STD-348A


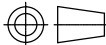


#### Notes:

- 1. ALL SPECIFICATIONS ARE SUBJECT TO CHANGE NOTICE AT ANY TIME
- 2. CUSTOMER OUTLINE DRAWING FOR REFERENCE ONLY

Tel: Lee +86-28-85589664

Web: www.hltchips.com

DRAWN: H.wei 12/07/06	TITLE:				
ENGINEER: L.yu 12/07/06	Precision Adapter				
APPROVED: W.yi 12/07/06	N male to N Female	 DIMENSION IN MILLIMETERS (mm)			
TOLERANCES UNLESS OTHERWISE SPECIFIED	PART NO: HL-N-JKG	SIZE: A4	SCALE: N/A	SHEET: 1/1	REV: A
.X ±0.50					
.X ±0.20					
.XX ±0.10					
ANGLES ±1°					