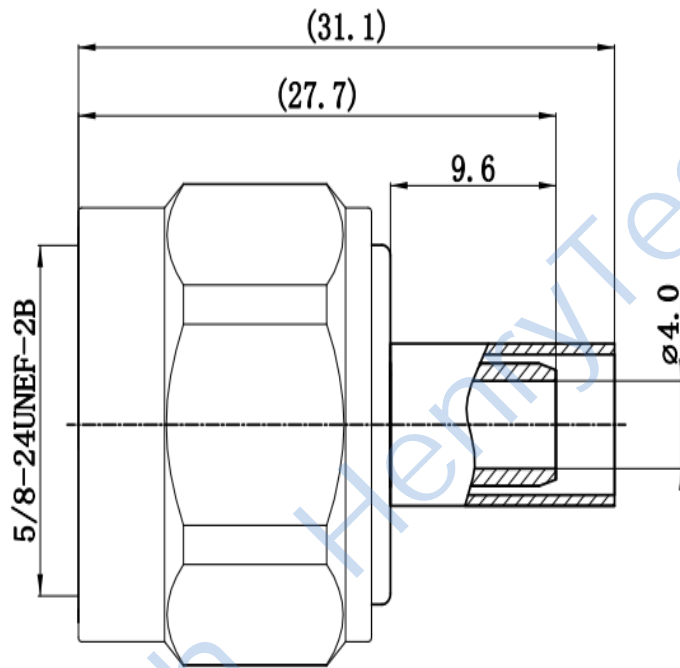
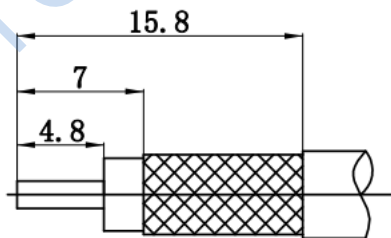


This document contains proprietary information and such information may not be disclosed to others for any purposes, not used for sales/marketing/procurement purposes without written permission

REV	DESCRIPTION OF REVISION	ECN NO.	BY	DATE	APPROVED
A	Initial Release	—	H.wei	12/7/06	12/7/06



Cable Stripping Dimension



1 Electrical

- 1.1 Impedance 50 Ω
- 1.2 Frequency DC~11GHz
- 1.3 Dielectric withstanding voltage 1500V(volts RMS)
- 1.4 Working Voltage: 1000V rms
- 1.5 Insulation resistance: ≥5000M Ω
- 1.6 VSWR ≤1.25@6GHz

2 Environmental&Mechanical

- 2.1 Temperature range -40℃~125℃
- 2.2 RoHs Compliant
- 2.3 Durability >500 cycles

3 Materials&plating


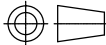
- 3.1 Body: Brass, Nickel Plated
- 3.2 Insulator: Teflon
- 3.3 Contact Pin: Brass, Gold plated
- 3.4 Ferrule: Copper, Nickel Plated
- 3.5 Coupling nut: Brass, Nickel Plated

Tel:Lee +86-28-85589664

Web:www.hltchips.com

Notes:

- 1. ALL SPECIFICATIONS ARE SUBJECT TO CHANGE NOTICE AT ANY TIME
- 2. CUSTOMER OUTLINE DRAWING FOR REFERENCE ONLY

DRAWN: H.wei 12/07/06	TITLE:				
ENGINEER: L.yu 12/07/06	RF Coaxial Connector N				
APPROVED: W.yi 12/07/06	male Conn. For LMR240 Cable	 DIMENSION IN MILLIMETERS (mm)			
TOLERANCES UNLESS OTHERWISE SPECIFIED					
X ±0.50		SIZE: A4	SCALE: N/A	SHEET: 1/1	REV: A
.X ±0.20					
.XX ±0.10					
ANGLES ±1°					
PART NO: HL-N-J240YA					