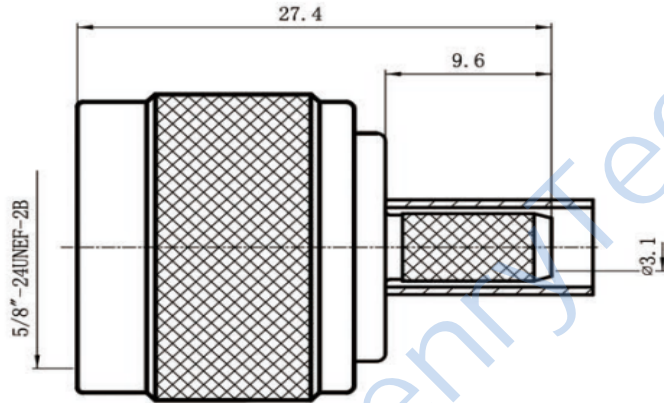
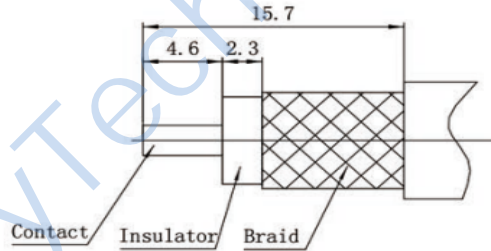


This document contains proprietary information and such information may not be disclosed to others for any purposes, not used for sales/marketing/procurement purposes without written permission

REV	DESCRIPTION OF REVISION	ECN NO.	BY	DATE	APPROVED
A	Initial Release	—	H.wei	12/7/06	12/7/06



Recommended Cable Stripping Dimension




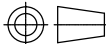
- 1 Electrical
 - 1.1 Impedance 50 Ω
 - 1.2 Frequency 0~6GHz
 - 1.3 VSWR 1.30:1
- 2 Environmental&Mechanical
 - 2.1 Temperature range -40℃~85℃
 - 2.2 RoHs Compliant
 - 2.3 Durability >500 cycles
- 3 Materials&plating
 - 3.1 Body: Brass, nickel plated
 - 3.2 Insulator: Teflon
 - 3.3 Contact Pin: Brass, Gold plated
 - 3.4 Housing: Brass, nickel plated
 - 3.5 Coupling nut: Brass, nickel plated

Tel:Lee +86-28-85589664

Web:www.hltchips.com

Notes:

- 1. ALL SPECIFICATIONS ARE SUBJECT TO CHANGE NOTICE AT ANY TIME
- 2. CUSTOMER OUTLINE DRAWING FOR REFERENCE ONLY

DRAWN: H.wei 12/07/06	TITLE:				
ENGINEER: L.yu 12/07/06	RF Coaxial Connector				
APPROVED: W.yi 12/07/06	N Male Conn. for LMR200 Cable	 DIMENSION IN MILLIMETERS (mm)			
TOLERANCES UNLESS OTHERWISE SPECIFIED					
X ±0.50		SIZE: A4	SCALE: N/A	SHEET: 1/1	REV: A
.X ±0.20		PART NO: HL-N-J200YA			
.XX ±0.10					
ANGLES ±1°					