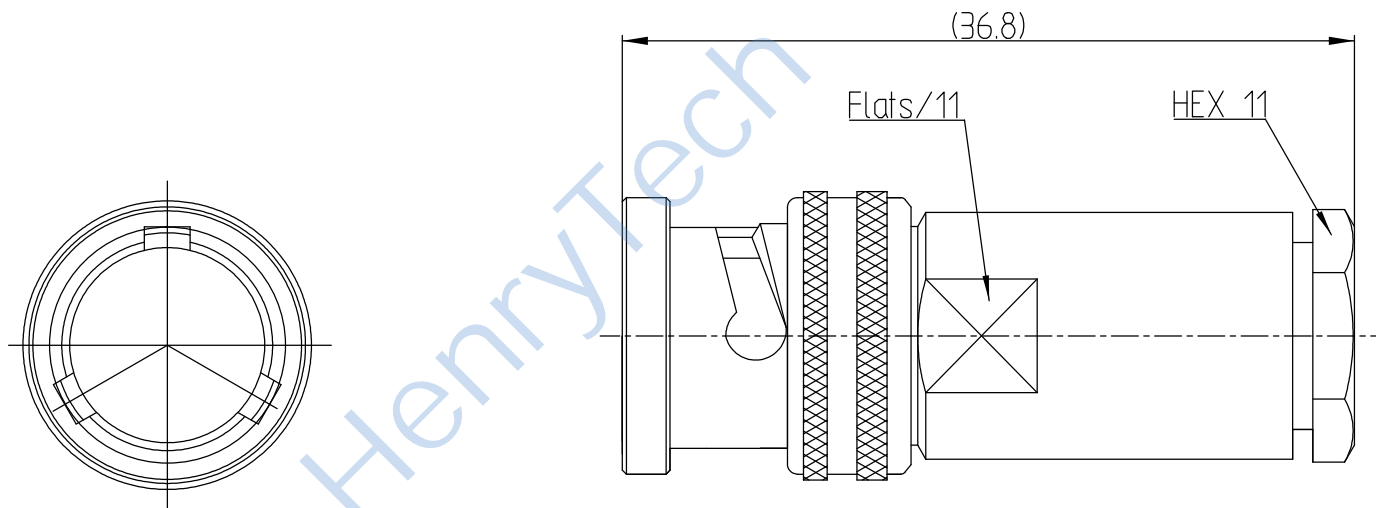


This document contains proprietary information and such information may not be disclosed to others for any purposes, not used for sales/marketing/procurement purposes without written permission

REV	DESCRIPTION OF REVISION	ECN NO.	BY	DATE	APPROVED
A	Initial Release	—	H.wei	26/07/17	26/07/17



3 Materials&plating



- 3.1 Body: Brass; Suco-plated
- 3.2 Insulator: Teflon
- 3.3 Contact Pin: Bronze Gold plated
- 3.4 Outer contact : Brass Gold plated

Tel:Lee +86-28-85589664

Web:www.hltchips.com

Notes:

- 1.ALL SPECIFICATIONS ARE SUBJECT TO CHANGE NOTICE AT ANY TIME
- 2.CUSTOMER OUTLINE DRAWING FOR REFERENCE ONLY

DRAWN: H.wei 26/07/17	TITLE: RF Coaxial Connector TRB Male Connector for Triax RG316 Cable				
ENGINEER: L.yu 26/07/17					
APPROVED: W.yi 26/07/17		 DIMENSION IN MILLIMETERS (mm)			
TOLERANCES UNLESS OTHERWISE SPECIFIED X ±0.50 .X ±0.20 .XX ±0.10 ANGLES ±1°	PART NO: HL-TRB-J3A	SIZE: A4	SCALE: N/A	SHEET: 1/1	REV: A