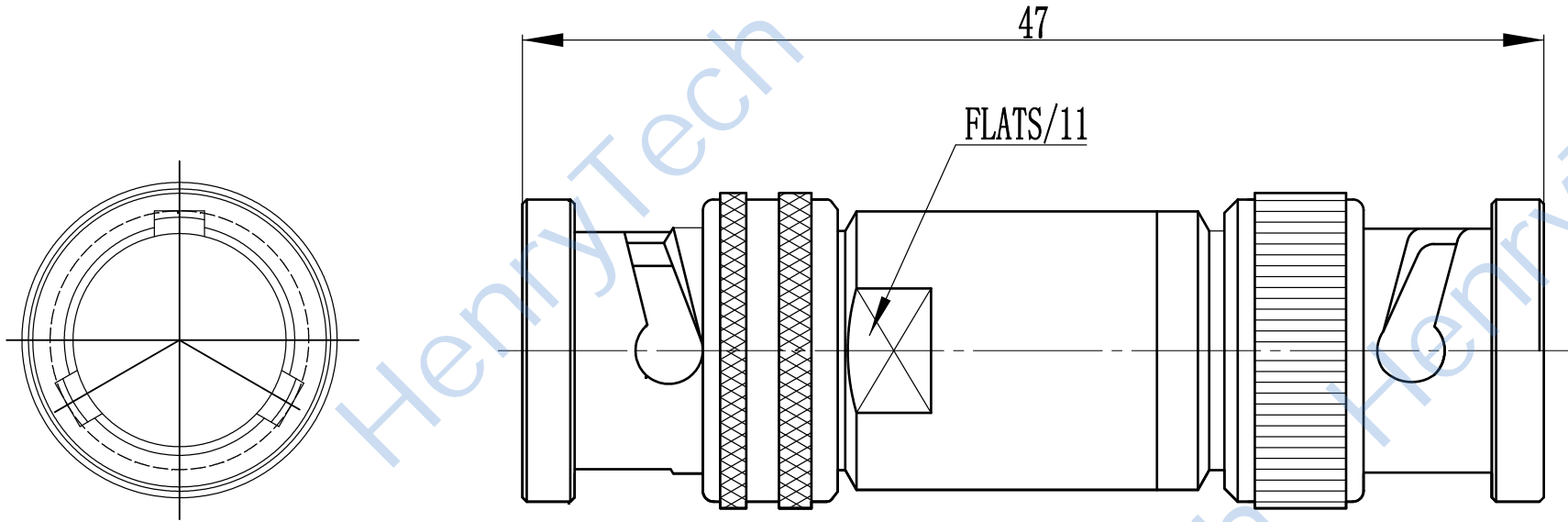


This document contains proprietary information and such information may not be disclosed to others for any purposes, not used for sales/marketing/procurement purposes without written permission

REV	DESCRIPTION OF REVISION	ECN NO.	BY	DATE	APPROVED
A	Initial Release	—	H.wei	26/07/17	26/07/17



### 3 Materials&plating

- 3.1 Body: Brass; Suco-plated
- 3.2 Insulator: Teflon
- 3.3 Contact Pin: Bronze Gold plated
- 3.4 Outer contact: Brass Gold plated

Tel:Lee +86-28-85589664  
Web:www.hltchips.com

Notes:

- 1.ALL SPECIFICATIONS ARE SUBJECT TO CHANGE NOTICE AT ANY TIME
- 2.CUSTOMER OUTLINE DRAWING FOR REFERENCE ONLY

<table border="1"> <tr> <td>DRAWN</td> <td>: H.wei 26/07/17</td> </tr> <tr> <td>ENGINEER</td> <td>: L.yu 26/07/17</td> </tr> <tr> <td>APPROVED</td> <td>: W.yi 26/07/17</td> </tr> </table>	DRAWN	: H.wei 26/07/17	ENGINEER	: L.yu 26/07/17	APPROVED	: W.yi 26/07/17	<table border="1"> <tr> <td>TITLE:</td> <td>RF Adaptor</td> </tr> <tr> <td>TRE</td> <td>Male to BNC Male Adaptor</td> </tr> </table>	TITLE:	RF Adaptor	TRE	Male to BNC Male Adaptor	
DRAWN	: H.wei 26/07/17											
ENGINEER	: L.yu 26/07/17											
APPROVED	: W.yi 26/07/17											
TITLE:	RF Adaptor											
TRE	Male to BNC Male Adaptor											
<p>TOLERANCES UNLESS OTHERWISE SPECIFIED</p> <table border="1"> <tr> <td>X</td> <td>±0.50</td> </tr> <tr> <td>.X</td> <td>±0.20</td> </tr> <tr> <td>.XX</td> <td>±0.10</td> </tr> <tr> <td>ANGLES</td> <td>±1°</td> </tr> </table>	X	±0.50	.X	±0.20	.XX	±0.10	ANGLES	±1°	DIMENSION IN MILLIMETERS (mm)			
X	±0.50											
.X	±0.20											
.XX	±0.10											
ANGLES	±1°											
PART NO: HL-TRB-BNC-JJ		<table border="1"> <tr> <td>REV: A4</td> <td>SCALE: N/A</td> <td>DRAWN: 1/1</td> <td>REV: A</td> </tr> </table>	REV: A4	SCALE: N/A	DRAWN: 1/1	REV: A						
REV: A4	SCALE: N/A	DRAWN: 1/1	REV: A									