

This document contains proprietary information and such information may not be disclosed to others for any purposes, not used for sales/marketing/procurement purposes without written permission

| REV | DESCRIPTION OF REVISION | ECN NO. | BY    | DATE   | APPROVED |
|-----|-------------------------|---------|-------|--------|----------|
| A   | Initial Release         | —       | H.wei | 2/4/15 | 2/4/15   |

1 Electrical

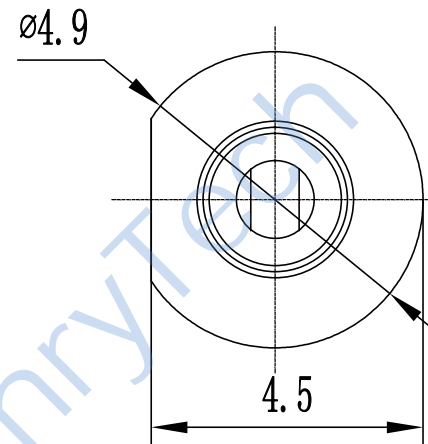
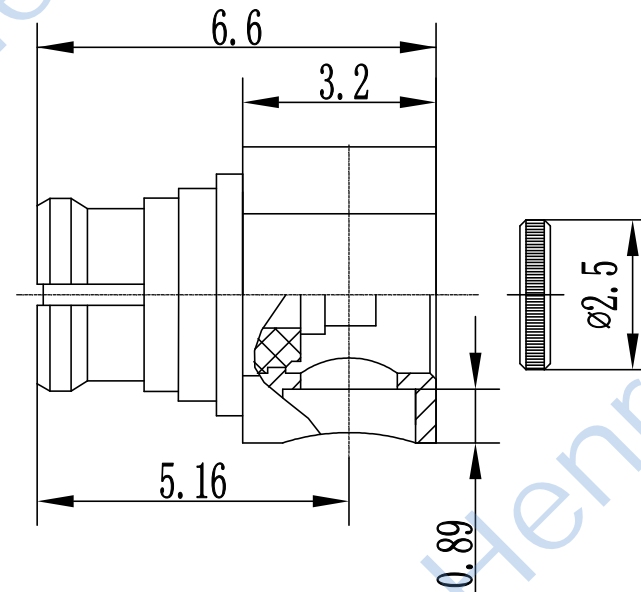
- 1.1 Impedance: 50 Ω
- 1.2 Frequency range: DC-18GHz
- 1.3 VSWR: 1.40:1

2 Environmental&Mechanical

- 2.1 Temperature range: -40℃~85℃
- 2.2 RoHs Compliant
- 2.3 Durability: 100 mating cycles
- 2.4 Engagement force: 67N max
- 2.5 Disengagement force: 22N min
- 2.6 Axial retention force: 7N min

3 Materials&plating

- 3.1 Body: Beryllium-copper, Gold Plated
- 3.2 Insulator: Teflon
- 3.3 Contact Pin: Beryllium-copper, Gold plated



Tel: Lee +86-28-85589664

Web: www.hltchips.com

Notes:

- 1. ALL SPECIFICATIONS ARE SUBJECT TO CHANGE NOTICE AT ANY TIME
- 2. CUSTOMER OUTLINE DRAWING FOR REFERENCE ONLY

|                                       |
|---------------------------------------|
| DRAWN: H.wei 2/4/15                   |
| ENGINEER: L.yu 2/4/15                 |
| APPROVED: W.yi 2/4/15                 |
| TOLERANCES UNLESS OTHERWISE SPECIFIED |
| X ±0.50                               |
| .X ±0.20                              |
| .XX ±0.10                             |
| ANGLES ±1°                            |

|          |  |
|----------|--|
| TITLE:   | HL-SMP-KWB2A                                   |
|          | SMP Female Right Angle Conn.<br>For .086 Cable |
| PART NO: | HL-SMP-KWB2A                                   |

|                               |            |            |        |
|-------------------------------|------------|------------|--------|
|                               |            |            |        |
| DIMENSION IN MILLIMETERS (mm) |            |            |        |
| SIZE: A4                      | SCALE: N/A | SHEET: 1/1 | REV: A |