

This document contains proprietary information and such information may not be disclosed to others for any purposes, not used for sales/marketing/procurement purposes without written permission

REV	DESCRIPTION OF REVISION	ECN NO.	BY	DATE	APPROVED
A	Initial Release	—	H.wei	14/9/13	14/9/13

**1 Electrical**

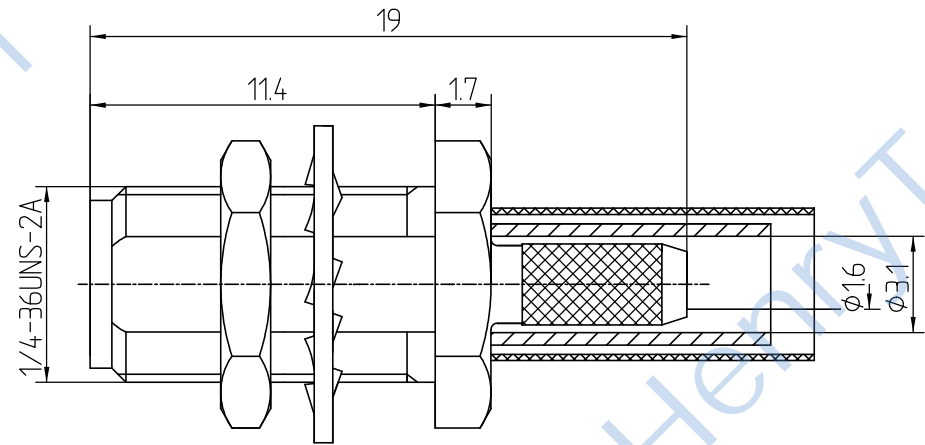
- 1.1 Impedence **50 Ω**
- 1.2 Frequency **0~6GHz**
- 1.3 Dielectric withstanding voltage **1000V(volts RMS)**
- 1.4 Center contact resistance **≤ 3M Ω**
- 1.5 Outer contact resistance **≤ 2M Ω**
- 1.6 Insulation resistance: **≥5000M Ω**
- 1.7 VSWR **1.25:1**

**2 Environmental&Mechanical**

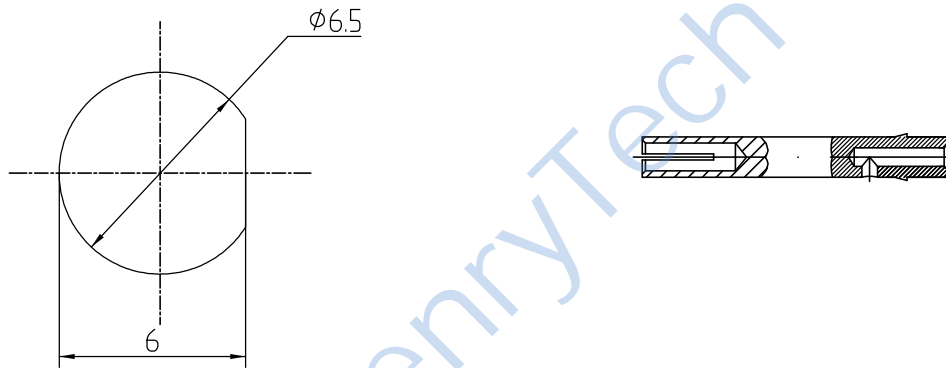
- 2.1 Temperature range **-45℃~125℃**
- 2.2 RoHs Compliant
- 2.3 Durability **>500 cycles**

**3 Materials&Finish**

- 3.1 Body: **Brass, Gold Plated**
- 3.2 Insulator: **Teflon**
- 3.3 Contact Pin: **Beryllium-copper. Gold plated**
- 3.4 Washer: **Brass, Gold plated**
- 3.5 Hex Nut: **Brass, Gold plated**



**Mounting Hole**



Tel:Lee +86-28-85589664  
Web:www.hltchips.com

**Notes:**

- 1. ALL SPECIFICATIONS ARE SUBJECT TO CHANGE NOTICE AT ANY TIME
- 2. CUSTOMER OUTLINE DRAWING FOR REFERENCE ONLY

DRAWN: H.wei 14/9/13 ENGINEER: L.yu 14/9/13 APPROVED: W.yi 14/9/13 TOLERANCES UNLESS OTHERWISE SPECIFIED X ±0.50 X ±0.20 XX ±0.10 ANGLES ±1°	<b>TITLE:</b> RF Coaxial Connector SMA Female bulkhead Conn. For RG316 cable <b>PART NO:</b> HL-SMA-KY3F	
<b>Notes:</b> DIMENSION IN MILLIMETERS (mm)		
<b>SIZE:</b> A4	<b>SCALE:</b> N/A	<b>SHEET:</b> 1/1 <b>REV:</b> A