

This document contains proprietary information and such information may not be disclosed to others for any purposes, not used for sales/marketing/procurement purposes without written permission

REV	DESCRIPTION OF REVISION	ECN NO.	BY	DATE	APPROVED
A	Initial Release	—	H.wei	26/8/16	26/8/16

1 Electrical

- 1.1 Impedance: 50 Ω
- 1.2 Frequency: DC-18GHz
- 1.3 VSWR: 1.20:1

2 Mechanical&Environmental

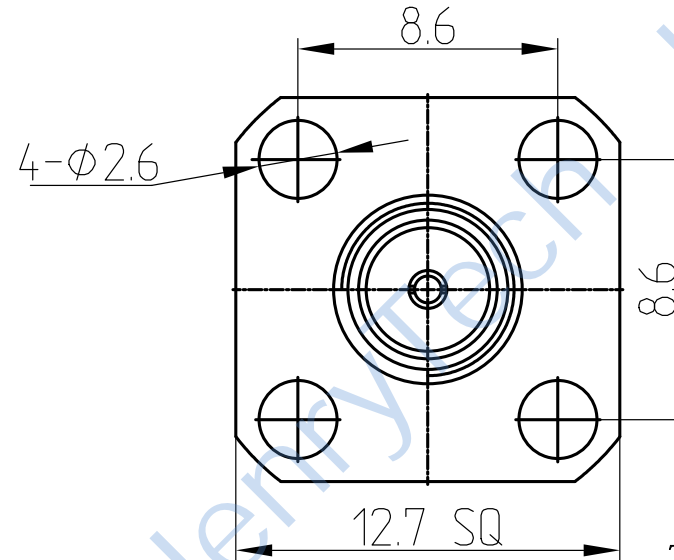
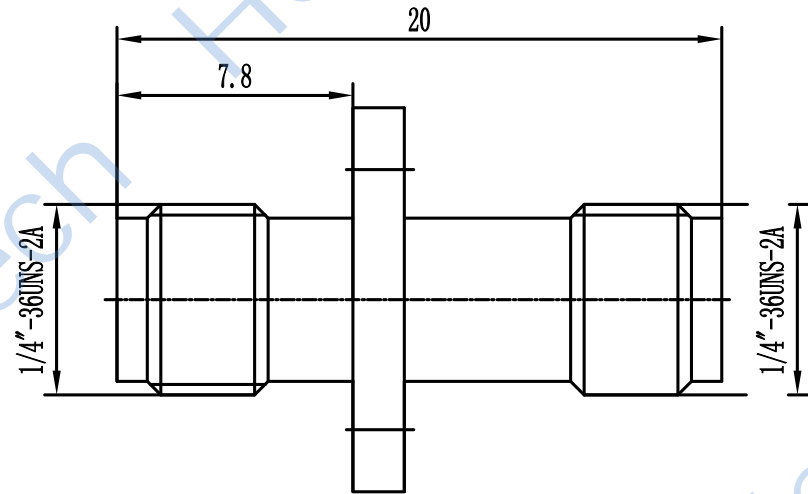
- 2.1 Temperature range -55°C ~+165°C
- 2.2 Durability(matings) >500
- 2.3 RoHs Compliant Yes

3 Material&Finish

- 3.1 Pin contact: Beryllium-Copper, gold plated
- 3.2 Body: Stainless Steel(SU303), Passivated
- 3.3 Insulators: Teflon

4 Interface Standards

- 4.1 SMA MIL-STD-348A





Tel:Lee +86-28-85589664
Web:www.hltchips.com

Notes:

- 1. ALL SPECIFICATIONS ARE SUBJECT TO CHANGE NOTICE AT ANY TIME
- 2. CUSTOMER OUTLINE DRAWING FOR REFERENCE ONLY

DRAWN : H.wei 26/8/16	TITLE:
ENGINEER: L.yu 26/8/16	Precision Adapter
APPROVED : W.yi 26/8/16	SMA Female to SMA Female Flange
TOLERANCES UNLESS OTHERWISE SPECIFIED	
X ±0.50	
.X ±0.20	
.XX ±0.10	
ANGLES ±1°	

PART NO:	HL-SMA-KFKG
----------	-------------

			
 DIMENSION IN MILLIMETERS (mm)			
SIZE: A4	SCALE: N/A	SHEET: 1/1	REV: A