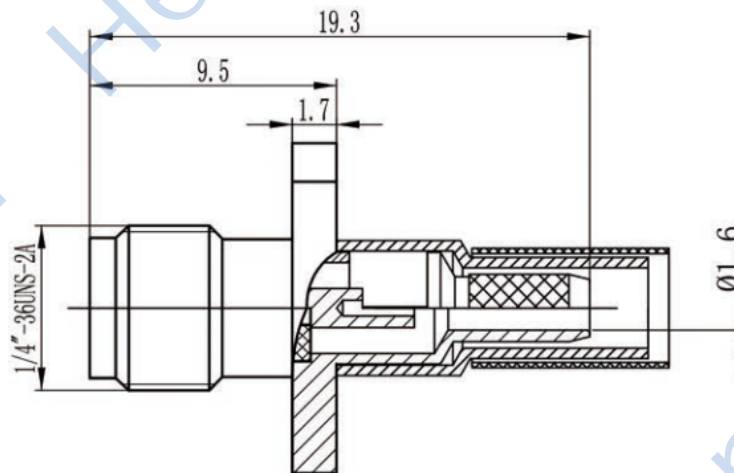
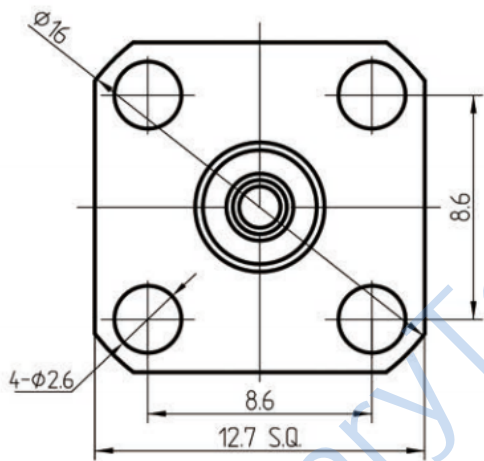


This document contains proprietary information and such information may not be disclosed to others for any purposes, not used for sales/marketing/procurement purposes without written permission

REV	DESCRIPTION OF REVISION	ECN NO.	BY	DATE	APPROVED
A	Initial Release	—	H.wei	19/03/17	19/03/17



1 Electrical

- 1.1 Impedance 50 Ω
- 1.2 Frequency DC~3GHz
- 1.2 Dielectric withstanding voltage 1000V(volts RMS)
- 1.3 Center contact resistance ≤ 3MΩ
- 1.4 Outer contact resistance ≤ 2MΩ
- 1.5 Insulation resistance: ≥5000MΩ

2 Environmental&Mechanical

- 2.1 Temperature range -45℃~85℃
- 2.2 RoHs Compliant
- 2.3 Durability >500 cycles

3 Materials&plating



- 3.1 Body: Brass, Gold plated
- 3.2 Insulator: Teflon
- 3.3 Contact Pin: Beryllium Copper Gold plated

Tel:Lee +86-28-85589664

Web:www.hltchips.com

Notes:

- 1. ALL SPECIFICATIONS ARE SUBJECT TO CHANGE NOTICE AT ANY TIME
- 2. CUSTOMER OUTLINE DRAWING FOR REFERENCE ONLY

DRAWN: H.wei 19/03/17	TITLE:				
ENGINEER: L.yu 19/03/17	RF Coaxial Connector SMA Female Flange Conn. For RG316 Sky Window				
APPROVED: W.yi 19/03/17		 DIMENSION IN MILLIMETERS (mm)			
TOLERANCES UNLESS OTHERWISE SPECIFIED X ±0.50 X ±0.20 XX ±0.10 ANGLES ±1°					
PART NO: HL-SMA-KF3CY	SIZE: A4	SCALE: N/A	SHEET: 1/1	REV: A	