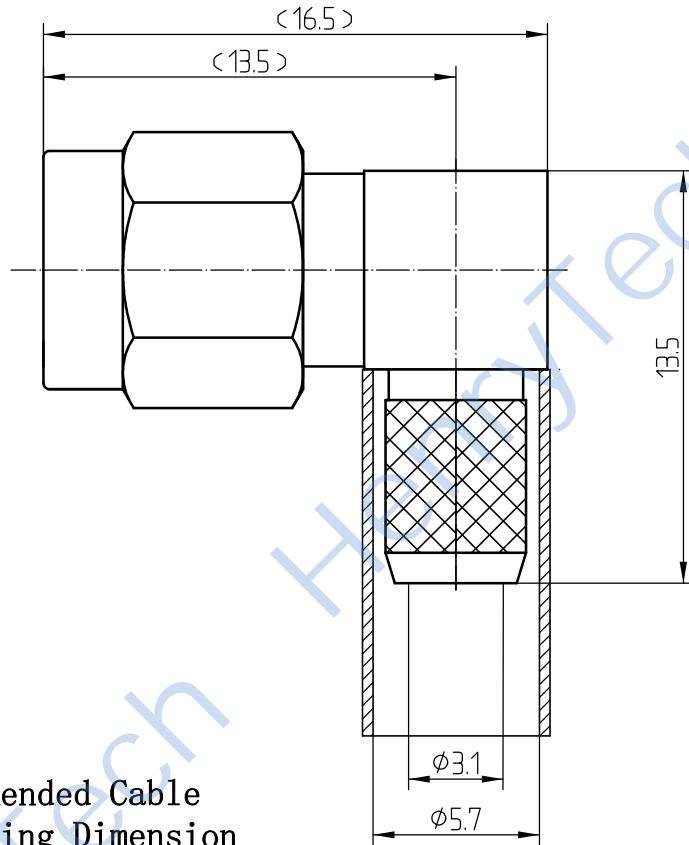
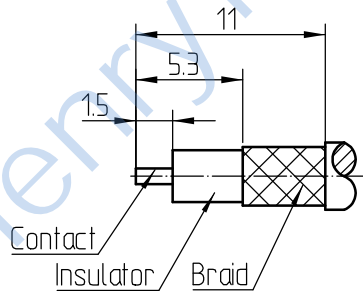


This document contains proprietary information and such information may not be disclosed to others for any purposes, not used for sales/marketing/procurement purposes without written permission

REV	DESCRIPTION OF REVISION	ECN NO.	BY	DATE	APPROVED
A	Initial Release	—	H.wei	23/5/14	23/5/14



Recommended Cable Stripping Dimension



- 1 Electrical  
 1.1 Impedence 50  $\Omega$   
 1.2 Frequency DC ~6GHz  
 1.3 VSWR 1.25:1

- 2 Environmental&Mechanical  
 2.1 Temperature range -40 $^{\circ}$ C ~+125 $^{\circ}$ C  
 2.2 RoHs Compliant  
 2.3 Durability >500 cycles

- 3 Materials&plating  
 3.1 Body: Brass, Gold Plated  
 3.2 Insulator: Teflon,  
 3.3 Contact Pin: Brass, Gold plated  
 3.4 Nut: Brass, Gold Plated  
 3.5 Gasket: Silicon Rubber (red color)

Tel:Lee +86-28-85589664  
 Web:www.hltchips.com

Notes:

- ALL SPECIFICATIONS ARE SUBJECT TO CHANGE NOTICE AT ANY TIME
- CUSTOMER OUTLINE DRAWING FOR REFERENCE ONLY

DRAWN: H.wei 25/5/14 ENGINEER: L.yu 25/5/14 APPROVED: W.yi 25/5/14 TOLERANCES UNLESS OTHERWISE SPECIFIED X +0.50 .X +0.20 .XX +0.10 ANGLES $\pm 1^{\circ}$	TITLE: RF Coaxial Connector SMA Male RA Conn. for RG142 Cable				
PART NO: HL-SMA-JW5D-A	SIZE: A4	SCALE: N/A	SHBET: 1/1	REV: A	