

This document contains proprietary information and such information may not be disclosed to others for any purposes,  
not used for sales/marketing/procurement purposes without written permission

REV	DESCRIPTION OF REVISION	ECN NO.	BY	DATE	APPROVED
A	Initial Release	—	H.wei	12/7/13	12/7/13

### 1 Electrical

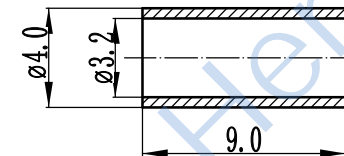
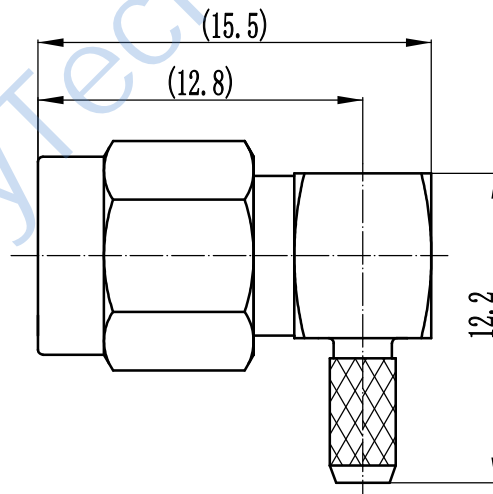
1.1 Impedence	50 $\Omega$
1.2 Dielectric withstanding voltage	1000V(volts RMS)
1.3 Center contact resistance	$\leq 3M\Omega$
1.4 Outer contact resistance	$\leq 2M\Omega$
1.5 Insulation resistance:	$\geq 5000M\Omega$
1.6 Frequency	0-6Ghz

### 2 Environmental&Mechanical

2.1 Temperature range	-45 $^{\circ}$ ~125 $^{\circ}$
2.2 RoHS Compliant	
2.3 Durability	>500 cycles

### 3 Materials&plating

3.1 Body:	Brass, Gold Plated
3.2 Insulator:	Teflon
3.3 Contact Pin:	Brass, Gold Plated
3.4 Washer:	Phosphor, Gold Plated
3.5 Hex Nut:	Brass, Gold Plated


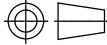


### Notes:

- ALL SPECIFICATIONS ARE SUBJECT TO CHANGE NOTICE AT ANY TIME
- CUSTOMER OUTLINE DRAWING FOR REFERENCE ONLY

Tel:Lee +86-28-85589664

Web:www.hltchips.com

DRAWN: H.wei 12/07/13	TITLE:			
ENGINEER: L.yu 12/07/13	RF Coaxial Connector			
APPROVED: W.yi 12/07/13	SMA Male R/A Conn. For RG316	 DIMENSION IN MILLIMETERS (mm)		
TOLERANCES UNLESS OTHERWISE SPECIFIED	PART NO: HL-SMA-JW3-N			
X $\pm 0.50$	SIZE: A4	SCALE: N/A	SHEET: 1/1	REV: A
.X $\pm 0.20$				
.XX $\pm 0.10$				
ANGLES $\pm 1^{\circ}$				