

1

2

3

4

This document contains proprietary information and such information may not be disclosed to others for any purposes, not used for sales/marketing/procurement purposes without written permission

REV	DESCRIPTION OF REVISION	ECN NO.	BY	DATE	APPROVED
A	Initial Release	—	H.wei	26/11/12	26/11/12

1 Electrical

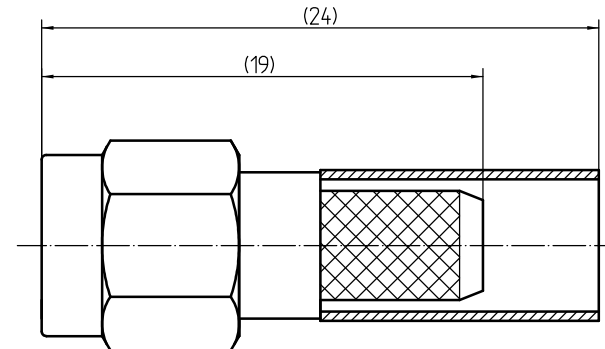
- 1.1 Impedance 50 Ω
- 1.2 Frequency DC~6GHz
- 1.3 Dielectric withstanding voltage 1000V(volts RMS)
- 1.4 Center contact resistance ≤ 3MΩ
- 1.5 Outer contact resistance ≤ 2MΩ
- 1.6 Insulation resistance: ≥5000MΩ
- 1.7 VSWR 1.25:1

2 Environmental&Mechanical

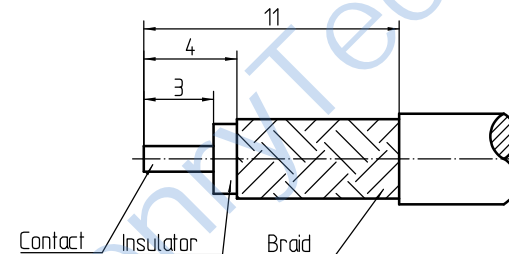
- 2.1 Temperature range -40℃~+125℃
- 2.2 RoHs Compliant
- 2.3 Durability >500 cycles

3 Materials&plating

- 3.1 Body: Brass; Gold plated
- 3.2 Insulator: Teflon
- 3.3 Contact Pin: Brass, Gold plated
- 3.4 Nut: Brass, Gold plated
- 3.5 Gasket: Silicon Rubber (red color)
- 3.6 Ferrule: Copper, Nickel plated



Recommended Cable Stripping Dimension



Notes:

- 1. ALL SPECIFICATIONS ARE SUBJECT TO CHANGE NOTICE AT ANY TIME
- 2. CUSTOMER OUTLINE DRAWING FOR REFERENCE ONLY

Tel:Lee +86-28-85589664
Web:www.hltchips.com

DRAWN: H.wei 26/11/12	TITLE:					
ENGINEER: L.yu 26/11/12	RF Coaxial Connector					
APPROVED: W.yi 26/11/12	SMA Male Conn. for Cable	DIMENSION IN MILLIMETERS (mm)	SIZE:	SCALE:	SHEET:	REV:
TOLERANCES UNLESS OTHERWISE SPECIFIED	RG58/LMR195/RG142/RG223 Crimp		A4	N/A	1/1	A
X +0.50	PART NO: HL-SMA-J5-E					
.X +0.20						
.XX +0.10						
ANGLES ±1°						

1

2

3

4