

This document contains proprietary information and such information may not be disclosed to others for any purposes, not used for sales/marketing/procurement purposes without written permission

REV	DESCRIPTION OF REVISION	ECN NO.	BY	DATE	APPROVED
A	Initial Release	—	H.wei	23/5/14	23/5/14

1 Electrical

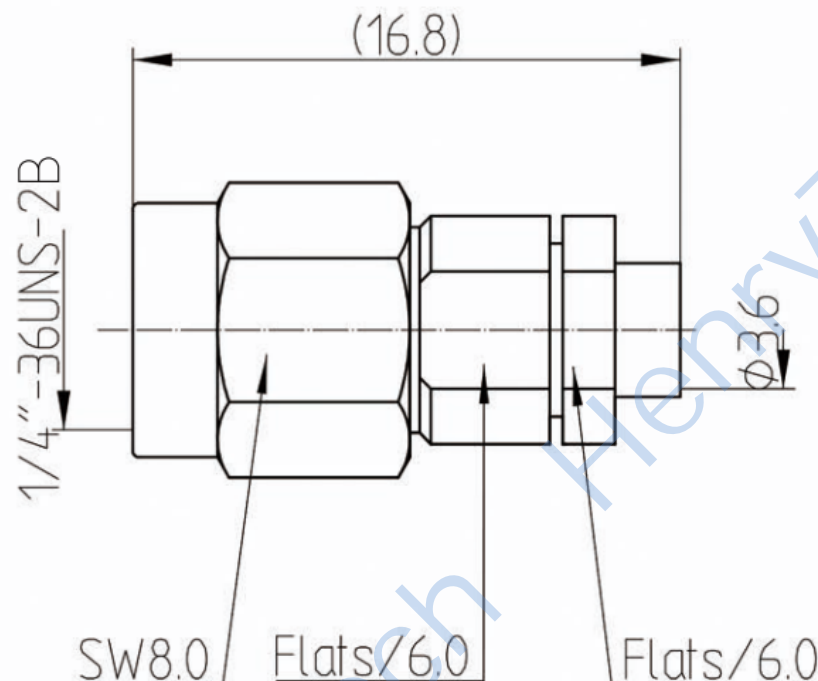
- 1.1 Impedance 50  $\Omega$
- 1.2 Frequency DC ~18GHz
- 1.3 Dielectric withstanding voltage 1000V(volts RMS)
- 1.4 Center contact resistance  $\leq 3M \Omega$
- 1.5 Outer contact resistance  $\leq 2M \Omega$
- 1.6 Insulation resistance:  $\geq 5000M \Omega$

2 Environmental&Mechanical

- 2.1 Temperature range -45 $^{\circ}$ C ~+125 $^{\circ}$ C
- 2.2 RoHS Compliant
- 2.3 Durability >500 cycles

3 Materials&plating

- 3.1 Body: Stainless Steel, Passivated
- 3.2 Insulator: Teflon
- 3.3 Contact Pin: Brass, gold plated
- 3.4 Nut: Stainless Steel, Passivated
- 3.5 Gasket: Silicon Rubber



Tel:Lee +86-28-85589664

Web:www.hltchips.com

Notes:

- 1. ALL SPECIFICATIONS ARE SUBJECT TO CHANGE NOTICE AT ANY TIME
- 2. CUSTOMER OUTLINE DRAWING FOR REFERENCE ONLY

DRAWN: H.wei 23/5/14 ENGINEER: L.yu 23/5/14 APPROVED: W.yi 23/5/14 TOLERANCES UNLESS OTHERWISE SPECIFIED X $\pm 0.50$ X $\pm 0.20$ XX $\pm 0.10$ ANGLES $\pm 1^{\circ}$	TITLE: RF Coaxial Connector SMA Male Conn. for Gore3507 Cable		DIMENSION IN MILLIMETERS (mm)	
PART NO: HL-SMA-J3507G	SIZE: A4			SCALE: N/A