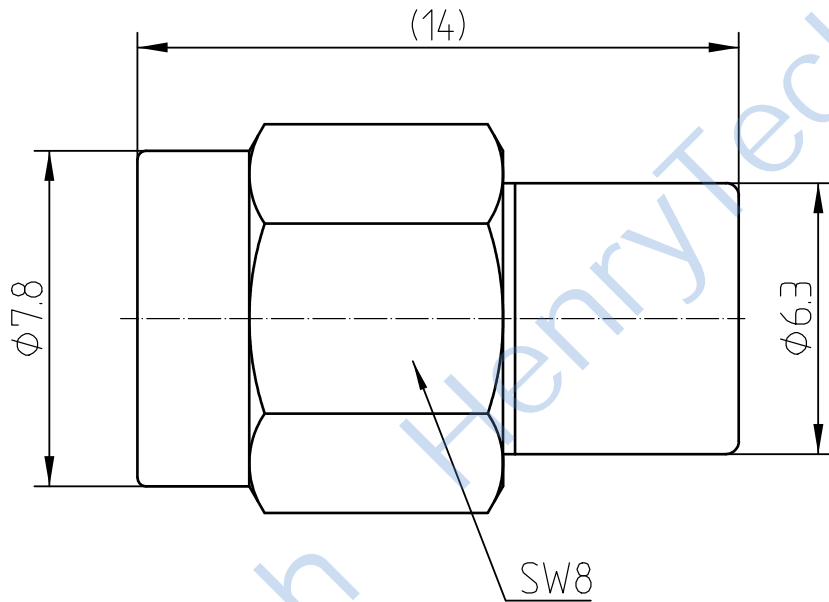


This document contains proprietary information and such information may not be disclosed to others for any purposes, not used for sales/marketing/procurement purposes without written permission

REV	DESCRIPTION OF REVISION	ECN NO.	BY	DATE	APPROVED
A	Initial Release	—	H.wei	23/5/14	23/5/14



1 Electrical

- 1.1 Impedance 50 Ω
- 1.2 Frequency DC~6GHz
- 1.3 VSWR 1.20:1

2 Environmental&Mechanical

- 2.1 Temperature range -40 $^{\circ}$ C~+125 $^{\circ}$ C
- 2.2 RoHs Compliant
- 2.3 Durability >500 cycles

3 Materials&plating

- 3.1 Body: Brass; gold plated
- 3.2 Insulator: Teflon
- 3.3 Contact Pin: Bronze, gold plated
- 3.4 Nut: Brass; gold plated

Tel:Lee +86-28-85589664
Web:www.hltchips.com

- Notes:
- 1. ALL SPECIFICATIONS ARE SUBJECT TO CHANGE NOTICE AT ANY TIME
 - 2. CUSTOMER OUTLINE DRAWING FOR REFERENCE ONLY

DRAWN : H.wei 25/5/14 ENGINEER: L.yu 25/5/14 APPROVED : W.yi 25/5/14	TITLE: RF TERMINATION SMA Male Conn. Termination 1W				
TOLERANCES UNLESS OTHERWISE SPECIFIED X ± 0.50 .X ± 0.20 .XX ± 0.10 ANGLES $\pm 1^{\circ}$	PART NO: HL-SMA-50JRB 6GHz	SIZE: A4	SCALE: N/A	SHEET: 1/1	REV: A

DIMENSION IN MILLIMETERS (mm)