

1

2

3

4

This document contains proprietary information and such information may not be disclosed to others for any purposes, not used for sales/marketing/procurement purposes without written permission

REV	DESCRIPTION OF REVISION	ECN NO.	BY	DATE	APPROVED
A	Initial Release	—	H.wei	12/7/06	12/7/06

1 Electrical

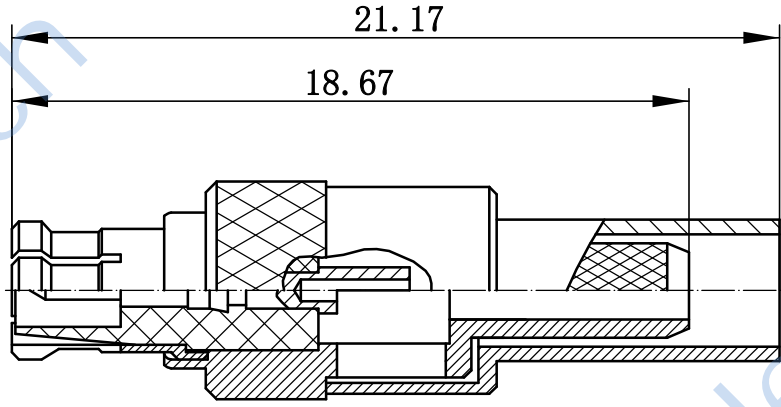
- 1.1 Impedence 50 Ω
- 1.2 Frequency DC-3GHz
- 1.3 Dielectric withstanding voltage 750V (volts RMS)
- 1.4 Center contact resistance ≤ 5M Ω
- 1.5 Outer contact resistance ≤ 2.5M Ω
- 1.6 Insulation resistance: ≥1000M Ω

2 Environmental&Mechanical

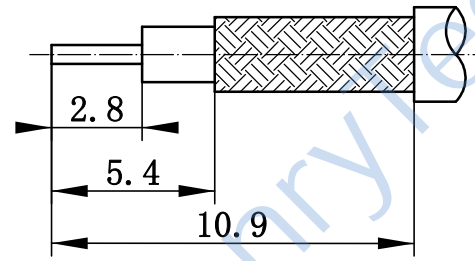
- 2.1 Temperature range -45°C~125°C
- 2.2 RoHs Compliant
- 2.3 Durability >500 cycles

3 Materials&Finish

- 3.1 Body: Brass, Gold plated
- 3.2 Insulator: Teflon
- 3.3 Contact Pin: Brass, gold plated
- 3.4 Contact spring: Beryllium copper, gold plated




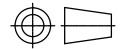
Cable Stripping Dimension



Tel:Lee +86-28-85589664
Web:www.hltchips.com

Notes:

- 1. ALL SPECIFICATIONS ARE SUBJECT TO CHANGE NOTICE AT ANY TIME
- 2. CUSTOMER OUTLINE DRAWING FOR REFERENCE ONLY

DRAWN: H.wei 12/07/06	TITLE:				
ENGINEER: L.yu 12/07/06	RF Coaxial Connector				
APPROVED: W.yi 12/07/06	M CX male Str. Conn. For RG316/RG174 cable	 DIMENSION IN MILLIMETERS (mm)			
TOLERANCES UNLESS OTHERWISE SPECIFIED					
X ±0.50		SIZE: A4	SCALE: N/A	SHEET: 1/1	REV: A
.X ±0.20		PART NO: HL-MCX-J3CA			
.XX ±0.10					
ANGLES ±1°					

1

2

3

4