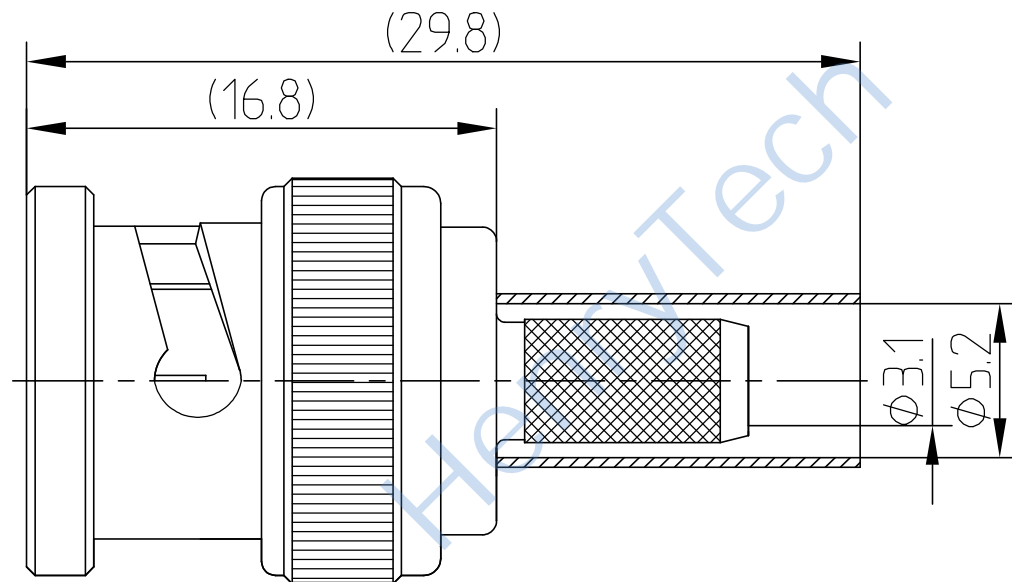


This document contains proprietary information and such information may not be disclosed to others for any purposes, not used for sales/marketing/procurement purposes without written permission

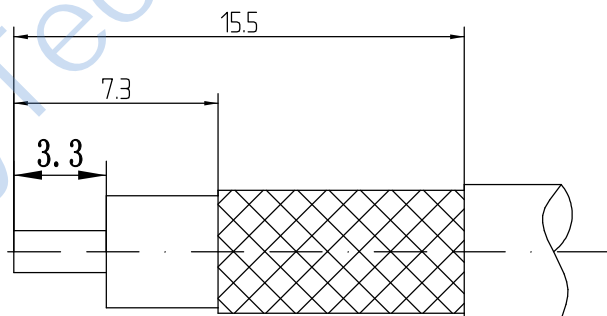
REV	DESCRIPTION OF REVISION	ECN NO.	BY	DATE	APPROVED
A	Initial Release	—	H.wei	18/03/13	18/03/13



- 1 Electrical
- 1.1 Impedance: 50 Ω
  - 1.2 Frequency: DC-4GHz
  - 1.3 Dielectric withstanding voltage: 1000V(volts RMS)
  - 1.4 Center contact resistance: ≤ 3MΩ
  - 1.5 Outer contact resistance: ≤ 2MΩ
  - 1.6 Insulation resistance: ≥ 5000MΩ

- 2 Environmental&Mechanical
- 2.1 Temperature range: -45℃~85℃
  - 2.2 RoHS Compliant
  - 2.3 Durability: >500 cycles

- 3 Materials&plating
- 3.1 Body: Brass, Nickel plated
  - 3.2 Insulator: Teflon
  - 3.3 Contact Pin: Phosphor Bronze, Gold plated
  - 3.4 Coupling Nut: Brass, nickel plated
  - 3.5 Washer: bronze, nickel plated
  - 3.5 O-ring: Silicon rubber(red color)



Tel: Lee +86-28-85589664  
Web: www.hl tchi ps. com

Notes:

- 1. ALL SPECIFICATIONS ARE SUBJECT TO CHANGE NOTICE AT ANY TIME
- 2. CUSTOMER OUTLINE DRAWING FOR REFERENCE ONLY

DRAWN: H.wei 18/03/13 ENGINEER: L.yu 18/03/13 APPROVED: W.yi 18/03/13 TOLERANCES UNLESS OTHERWISE SPECIFIED X ±0.50 .X ±0.20 .XX ±0.10 ANGLES ±1°	TITLE:  <b>RF Coaxial Connector</b>  <b>BNC Male Conn. for RG58 Cable Crimp</b>	
PART NO: <b>HL-BNC-J5Y</b>	SIZE: A4 SCALE: N/A SHEET: 1/1 REV: A	

