

This document contains proprietary information and such information may not be disclosed to others for any purposes, not used for sales/marketing/procurement purposes without written permission

REV	DESCRIPTION OF REVISION	ECN NO.	BY	DATE	APPROVED
A	Initial Release	—	H.wei	17/03/15	17/03/15

1 Electrical

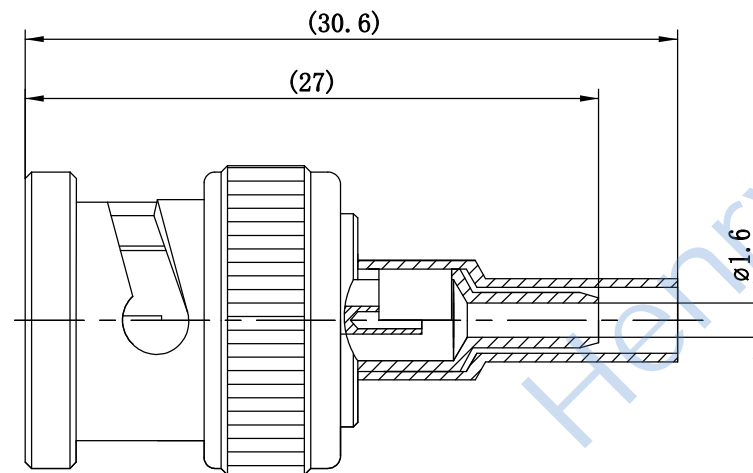
- 1.1 Frequency: 0-4GHz
- 1.2 Impedance: 50 Ω
- 1.3 Working voltage: ≤500V
- 1.4 Insulation resistance: ≥5000MΩ
- 1.5 Dielectric withstanding voltage: 1500V
- 1.6 Center contact resistance ≤ 1.5MΩ
- 1.7 Outer contact resistance ≤ 1MΩ
- 1.8 VSWR: ≤1.15+0.05F

2 Environmental&Mechanical

- 2.1 Temperature range -40°C~+125°C
- 2.2 RoHs Compliant
- 2.3 Durability >500 cycles

3 Material&Finish

- 3.1 Inner Contact: brass, gold plated
- 3.2 Outer Contact: Brass, nickel plated
- 3.3 Insulators: Teflon



Tel: Lee +86-28-85589664

Web: www.hltchips.com

Notes:

- 1. ALL SPECIFICATIONS ARE SUBJECT TO CHANGE NOTICE AT ANY TIME
- 2. CUSTOMER OUTLINE DRAWING FOR REFERENCE ONLY

DRAWN: H.wei 17/03/15 ENGINEER: L.yu 17/03/15 APPROVED: W.yi 17/03/15 TOLERANCES UNLESS OTHERWISE SPECIFIED X ±0.50 .X ±0.20 .XX ±0.10 ANGLES ±1°	TITLE: RF Coaxial Connector BNC male Right Angle Conn. for RG316 Cable Crimp Sky window	
PART NO: HL-BNC-J3CYA	SIZE: A4	SCALE: N/A
SHEET: 1/1	REV: A	DIMENSION IN MILLIMETERS (mm)