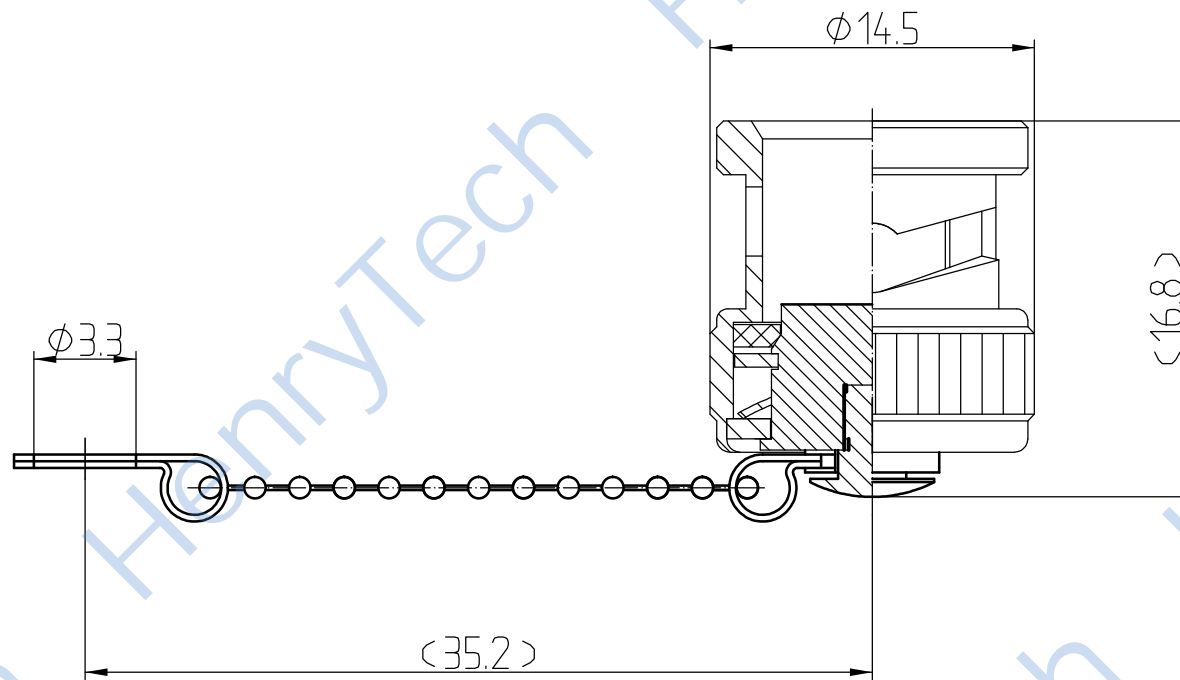


This document contains proprietary information and such information may not be disclosed to others for any purposes, not used for sales/marketing/procurement purposes without written permission

REV	DESCRIPTION OF REVISION	ECN NO.	BY	DATE	APPROVED
A	Initial Release	—	H.wei	19/03/17	19/03/17




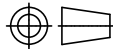
Tel: Lee +86-28-85589664  
Web: www.hltchips.com

Notes:

- 1. ALL SPECIFICATIONS ARE SUBJECT TO CHANGE NOTICE AT ANY TIME
- 2. CUSTOMER OUTLINE DRAWING FOR REFERENCE ONLY

DRAWN: H.wei 19/03/17
ENGINEER: L.yu 19/03/17
APPROVED: W.yi 19/03/17
TOLERANCES UNLESS OTHERWISE SPECIFIED
X ±0.50
.X ±0.20
.XX ±0.10
ANGLES ±1°

TITLE:	BNC Dust Cap
PART NO:	

			
 DIMENSION IN MILLIMETERS (mm)			
SIZE: A4	SCALE: N/A	SHEET: 1/1	REV: A