

15W AccuSwitch™ Quasi-Resonant PWM Controller with Integrated Power BJT for 5V Applications

1 Description

The iW1820 integrates a high performance digital AC/DC power supply controller and a power BJT switch in a power package to enable compact peak current mode PWM flyback power supplies. The device operates in quasi-resonant mode and features multiple key protection features, enabling designs with improved efficiency and lower EMI which lowering the bill of material cost.

The iW1820 features a distinctive soft-start scheme, which allows for fast and yet smooth start-up. It removes the need for a secondary feedback circuit while achieving excellent line and load regulation. It also eliminates the need for loop compensation components while maintaining stability overall operating conditions. The pulse-by-pulse waveform analysis allows for fast dynamic load response. The built-in power limit function enables optimized transformer design for a wide input voltage range.

Dialog's innovative proprietary technology ensures that power supplies built with the iW1820 can achieve both the highest average efficiency and maintain less than 30mW no-load power consumption while achieving fast dynamic load response and the shortest possible start-up time for the 30mW no-load power in typical 5V adapter applications. For applications requiring greater than 5V output voltages, please see the iW1819.

2 Features

- No-load power consumption < 30mW at 230V_{AC} with typical application circuit (5-star rating)
- **AccuSwitch™** technology – integrated 800V bipolar junction transistor (BJT)
- Optimized for 5V/3A AC/DC adapters/chargers with < 30mW no-load power consumption at 230V_{AC} and fast dynamic load response for both one-time and repetitive load transients
- Very tight constant voltage and constant current regulation over entire operating range
- **PrimAccurate™** primary-side feedback eliminates optocoupler and simplifies design
- **EZ-EMI™** design enhances manufacturability
- Intrinsically low common mode noise
- Optimized 72kHz maximum PWM switching frequency achieves best size and efficiency
- Adaptive multi-mode PWM/PFM control improves efficiency
- Quasi-resonant operation for highest overall efficiency
- Dynamic base current control
- No external loop compensation components required
- Complies with EPA 2.0/CoC Ver5/DoE energy efficiency specifications with ample margin
- Built-in single-point protections against output short-circuit, output low impedance, and output overvoltage
- Built-in over-temperature protection (OTP)
- No audible noise over entire operating range

3 Applications

- Compact AC/DC adapters/chargers for media tablets and smart phones
- AC/DC adaptor for consumer electronics
- AC/DC power supplies for home appliances and industrial applications

15W AccuSwitch™ Quasi-Resonant PWM Controller with Integrated Power BJT for 5V Applications

4 Pinout Description

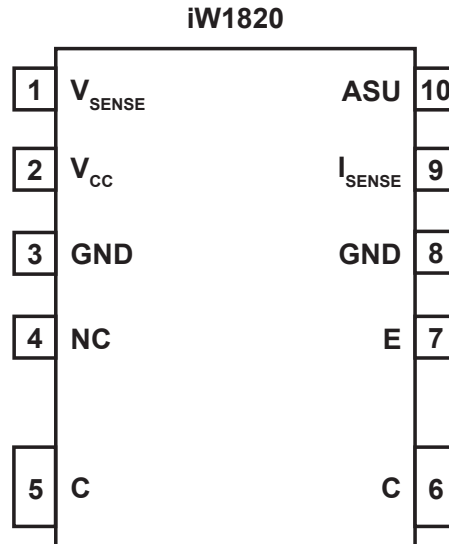


Figure 4.1 : 10-Lead SOIC Batwing Package

Pin Number	Pin Name	Type	Pin Description
1	V _{SENSE}	Analog Input	Auxiliary voltage sense (used for primary-side regulation).
2	V _{CC}	Power Input	Power supply for control logic.
3	GND	Ground	Ground.
4	NC		This pin must be left floating.
5	C	BJT Collector	Collector of internal BJT.
6	C	BJT Collector	Collector of internal BJT.
7	E	BJT Emitter	Emitter of internal BJT.
8	GND	Ground	Ground.
9	I _{SENSE}	Analog Input	Primary current sense. Used for cycle-by-cycle peak current control and current limit.
10	ASU	Output	Control signal. Used for active start-up device.

15W AccuSwitch™ Quasi-Resonant PWM Controller with Integrated Power BJT for 5V Applications

5 Absolute Maximum Ratings

Absolute maximum ratings are the parameter values or ranges which can cause permanent damage if exceeded.

Parameter	Symbol	Value	Units
DC supply voltage range (pin 2, $I_{CC} = 20\text{mA max}$)	V_{CC}	-0.3 to 25.0	V
Continuous DC supply current at V_{CC} pin ($V_{CC} = 15\text{V}$)	I_{CC}	25	mA
ASU output (pin 10)		-0.3 to 19.0	V
V_{SENSE} input (pin 1, $I_{VSENSE} \leq 10\text{mA}$)		-0.7 to 4.0	V
I_{SENSE} input (pin 9)		-0.3 to 4.0	V
Collector-Base breakdown voltage	V_{CBO}	800	V
Collector-Emitter breakdown voltage	V_{CES}	800	V
Collector current (Note 1)	I_C	4	A
Collector peak current (Note 1) ($t_p < 1\text{ms}$)	I_{CM}	8	A
Maximum junction temperature	T_{JMAX}	150	°C
Operating junction temperature	T_{JOPT}	-40 to 150	°C
Storage temperature	T_{STG}	-55 to 150	°C
Electrostatic Discharge Capability (Human Body Model), JEDEC JS-001-2017	$ESD_{(HBM)}$	± 2000	V
Electrostatic Discharge Capability (Charged Device Model), JS-002-2014	$ESD_{(CDM)}$	± 1000	V
Latch-up test per JESD78E		± 100	mA

Notes:

Note 1. Limited by maximum junction temperature.

6 Thermal Characteristics

Parameter	Symbol	Value	Units
Thermal Resistance Junction-to-Ambient ¹	θ_{JA}	55.2	°C/W
Characterization Parameter Junction-to-Collector pin (pin 5 and pin 6) ²	$\Psi_{J-COLLECTOR}$	5.8	°C/W
Thermal Shutdown Threshold ³	T_{SD}	150	°C
Thermal Shutdown Recovery ³	T_{SD-R}	100	°C

Notes:

Note 1. Device is mounted on a 4-layer JEDEC board with 100mm² of 70µm thick copper, in a one-cubic-foot natural convection chamber.

Note 2. $\Psi_{J-COLLECTOR}$ [Psi Junction to Collector pin] provides an estimation of the die junction temperature relative to the Collector pin [internal BJT Collector] surface temperature.

Note 3. These parameters are typical and they are guaranteed by design.

15W AccuSwitch™ Quasi-Resonant PWM Controller with Integrated Power BJT for 5V Applications

7 Electrical Characteristics

$V_{CC} = 12V$, $-40^{\circ}C \leq T_A \leq 85^{\circ}C$, unless otherwise specified.

Parameter	Symbol	Test Conditions	Min	Typ	Max	Unit
V_{SENSE} SECTION (Pin 1)						
Input leakage current	I_{BVS}	$V_{SENSE} = 2V$			1	μA
Nominal voltage threshold	$V_{SENSE(NOM)}$	$T_A = 25^{\circ}C$, negative edge	1.521	1.536	1.551	V
V_{SENSE} -based output OVP threshold	$V_{SENSE(MAX)}$	$T_A = 25^{\circ}C$, negative edge Load = 100%	1.786	1.880	1.974	V
I_{SENSE} SECTION (Pin 9)						
Switching-cycle over-current threshold	V_{OCP}		1.11	1.15	1.19	V
I_{SENSE} regulation upper limit (Note 1)	$V_{IPK(HIGH)}$			1.00		V
I_{SENSE} regulation lower limit (Note 1)	$V_{IPK(LOW)}$			0.23		V
Input leakage current	I_{LK}	$I_{SENSE} = 1.0V$			1	μA
V_{CC} SECTION (Pin 2)						
Operating voltage (Note 1)	V_{CC}				20	V
Start-up threshold	$V_{CC(ST)}$	V_{CC} rising	13.5	14.5	15.5	V
Under-voltage lockout threshold	$V_{CC(UVL)}$	V_{CC} falling	4.1	4.4	4.7	V
Start-up current	$I_{IN(ST)}$	$V_{CC} = 13V$		1.6		μA
Quiescent current	I_{CCQ}	$V_{CC} = 14V$, without driver switching		2.7	4.0	mA
No-load operating current (Note 1)	I_{CC_NL}	No-load operation in DDPWM mode		0.25		mA
ASU SECTION (Pin 10)						
Resistance between V_{CC} and ASU	R_{VCC_ASU}		750	1000	1500	k Ω
BJT SECTION (Pin 5, 6 and 7)						
Collector-base cutoff current	I_{CBO}	$V_{CB} = 800V$, $I_E = 0A$			0.1	mA
Collector-emitter cutoff current	I_{CEO}	$V_{CE} = 450V$, $R_{EB} = 0\Omega$			0.1	mA
Emitter-base cutoff current	I_{EBO}	$V_{EB} = 9V$, $I_C = 0A$			0.1	mA
Collector-base breakdown voltage	V_{CBO}	$I_C = 0.1mA$	800			V
Collector-emitter breakdown voltage (Emitter and base shorted together)	V_{CES}	$I_C = 1mA$, $R_{EB} = 0\Omega$	800			V
Collector-emitter breakdown voltage	V_{CEO}	$I_C = 1mA$	450			V
DC current gain (Note 2)	h_{EF}	$V_{CE} = 5V$, $I_C = 1.0A$	25		35	
Collector-emitter saturation voltage (Note 2)	$V_{CE(SAT)}$	$I_C = 2A$, $I_B = 0.5A$		0.35	1.0	V
Maximum switching frequency at PWM mode (Note 1) (Note 3)	f_{SW}	> 50% load		72		kHz

Notes:

- Note 1. These parameters are not 100% tested. They are guaranteed by design and characterization.
 Note 2. Operating frequency varies based on the load conditions, see Section 10.6 for more details.
 Note 3. Operating frequency varies based on the load conditions, see Section 10.6 for more details.

15W AccuSwitch™ Quasi-Resonant PWM Controller with Integrated Power BJT for 5V Applications

8 Typical Performance Characteristics

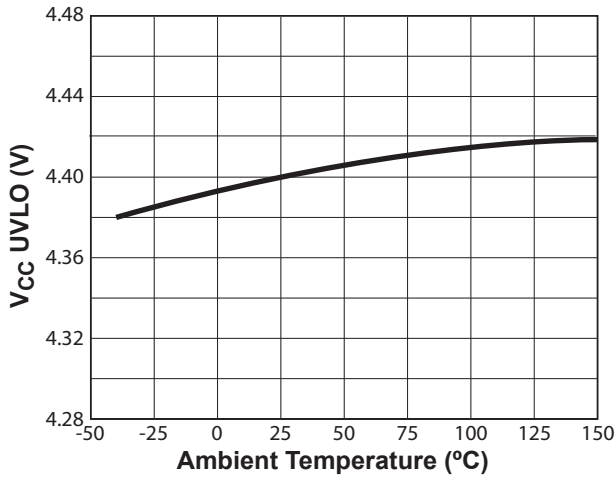


Figure 8.1 : V_{CC} UVLO vs. Temperature

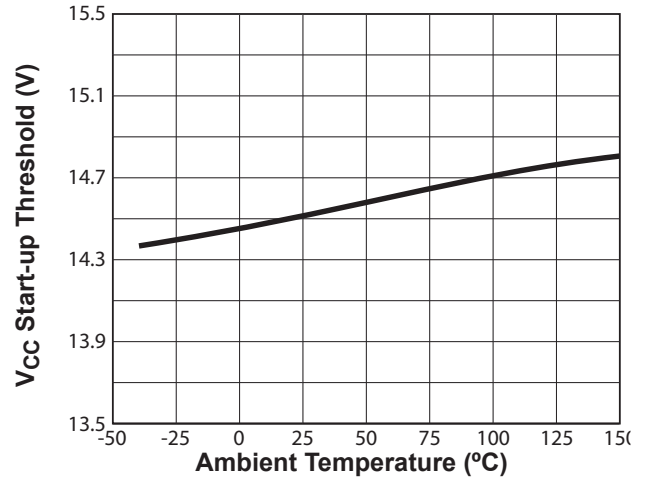


Figure 8.2 : V_{CC} Start-up Threshold vs. Temperature

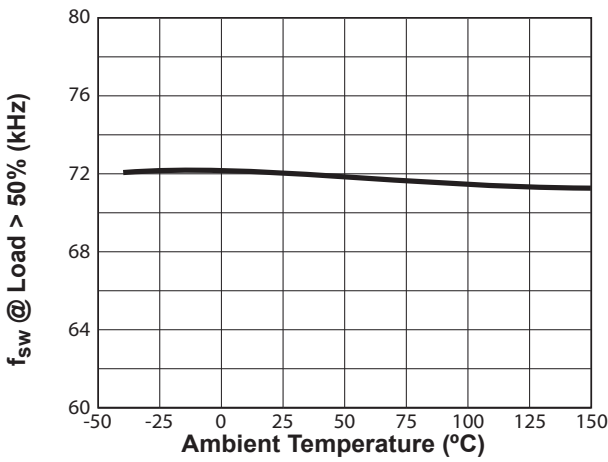


Figure 8.3 : Switching Frequency vs. Temperature¹

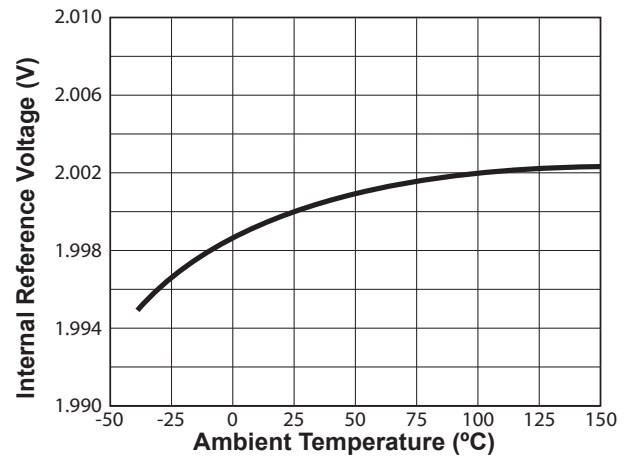


Figure 8.5 : Internal Reference Voltage vs. Temperature

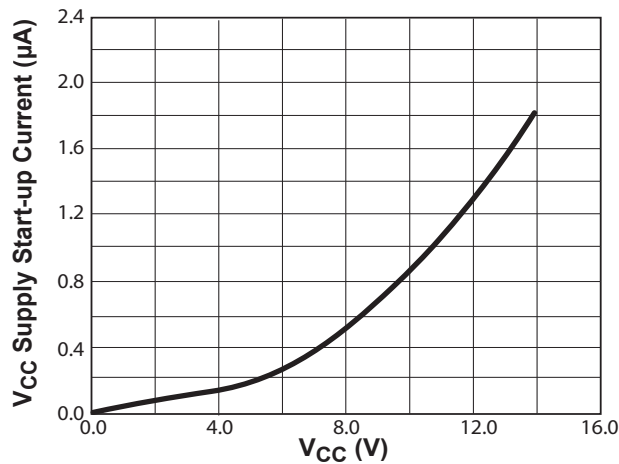


Figure 8.4 : V_{CC} Supply Start-up Current vs. V_{CC}

Notes:

Note 1. Operating frequency varies based on the load conditions, see Section 10.6 for more details.

15W AccuSwitch™ Quasi-Resonant PWM Controller with Integrated Power BJT for 5V Applications

9 Functional Block Diagram

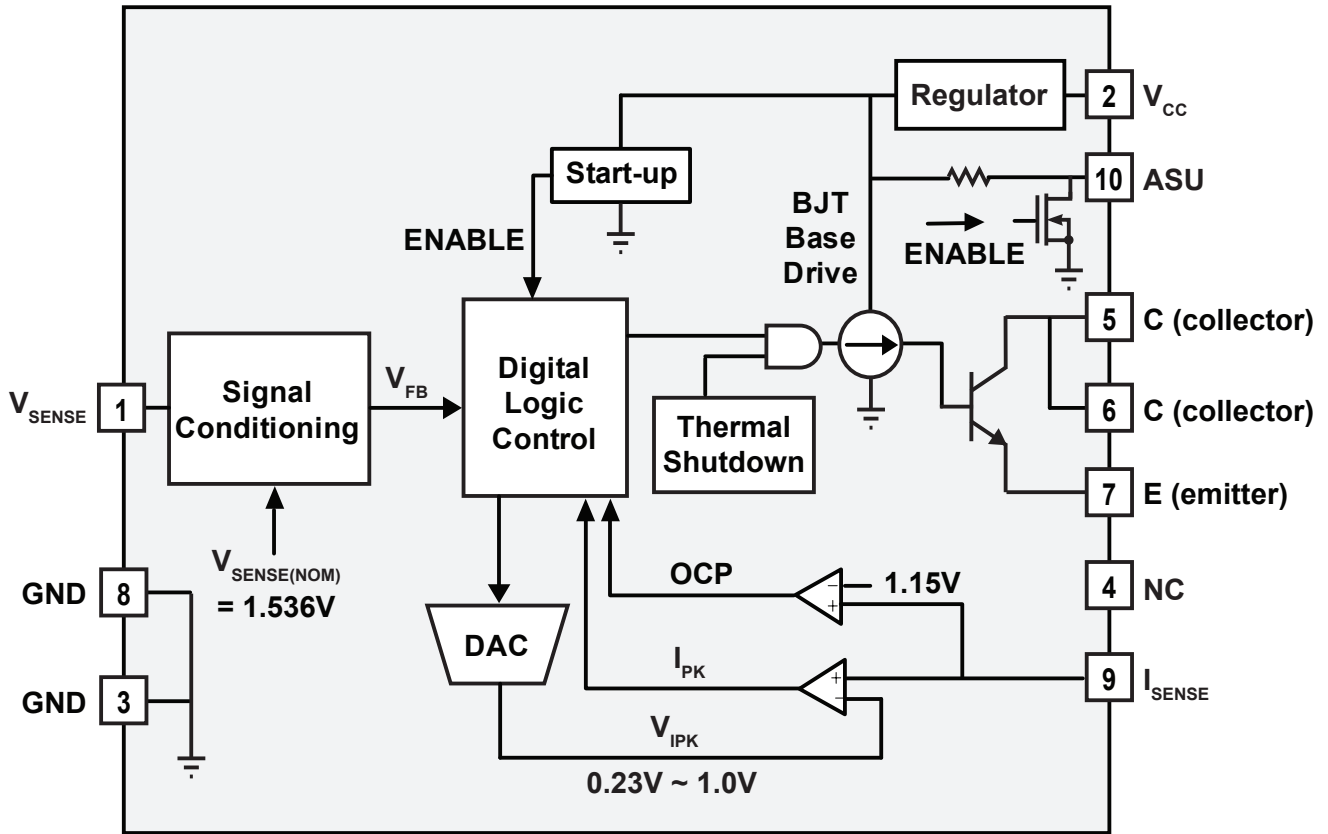


Figure 9.1 : iW1820 Functional Block Diagram

15W AccuSwitch™ Quasi-Resonant PWM Controller with Integrated Power BJT for 5V Applications

10 Theory of Operation

The iW1820 is a digital controller integrated with a power BJT. It uses a proprietary primary-side control technology to eliminate the opto-isolated feedback and secondary regulation circuits required in traditional designs. This results in a low-cost solution for low-power AC/DC adapters. The core PWM processor uses fixed-frequency discontinuous conduction mode (DCM) operation at higher power levels and switches to variable frequency operation at light loads to maximize efficiency. Furthermore, Dialog's digital control technology enables fast dynamic response, tight output regulation, and full-featured circuit protection with primary-side control.

Figure 9.1 shows that the iW1820 operates in peak current mode control. The digital logic control block generates the switching on-time and off-time information based on the output voltage and current feedback signal and provides commands to dynamically control the internal BJT base current. The I_{SENSE} is an analog input configured to sense the primary current in a voltage form. To achieve the peak current mode control and cycle-by-cycle current limit, the V_{IPK} sets the threshold for the I_{SENSE} to compare with, and it varies in the range of 0.23V (typical) and 1.00V (typical) under different line and load conditions. The system loop is automatically compensated internally by a digital error amplifier. Adequate system phase margin and gain margin are guaranteed by design and no external analog components are required for loop compensation. The iW1820 uses an advanced digital control algorithm to reduce system design time and increase reliability.

Accurate secondary constant-current operation is achieved without the need for any secondary-side sense and control circuits.

The iW1820 uses adaptive multi-mode PWM/PFM control to dynamically change the BJT switching frequency for efficiency, EMI, and power consumption optimization. In addition, it achieves unique BJT quasi-resonant switching to further improve efficiency and reduce EMI. Built-in single-point fault protection features include overvoltage protection (OVP), output short-circuit protection (SCP), over-current protection (OCP), I_{SENSE} fault detection, and OTP. In particular, it ensures that power supplies built with the iW1820 can meet 5-star energy saving requirement and achieve fast dynamic load response.

Dialog's digital control scheme is specifically designed to address the challenges and trade-offs of power conversion design. This innovative technology is ideal for balancing new regulatory requirements for green-mode operation with more practical design considerations such as lowest possible cost, smallest size, and high performance output control.

10.1 Pin Detail

Pin 1 – V_{SENSE}

Auxiliary voltage sense. Used for primary side regulation.

Pin 2 – V_{CC}

IC power supply.

Pin 3 and Pin 8 – GND

Ground.

Pin 4 – NC

NC

Pin 5 and Pin 6 – C

Collector pins of the internal BJT.

Pin 7 – E

Emitter pin of the internal power BJT. This pin must be shorted to pin 9 (the I_{SENSE} pin).

15W AccuSwitch™ Quasi-Resonant PWM Controller with Integrated Power BJT for 5V Applications

Pin 9 – I_{SENSE}

Primary current sense. Used for cycle-by-cycle peak current control and limit (pin 7 and pin 9 must be shorted externally on the PCB).

Pin 10 – ASU

Control signal. Used for active start-up device (BJT or depletion mode NFET).

10.2 Start-up and Adaptively Controlled Soft-start

Refer to Figure 3.1 for active start-up circuits using external depletion NFET and BJT respectively. Prior to start-up, the depletion NFET or the BJT is turned on, allowing the start-up current to charge the V_{CC} bypass capacitor. When the V_{CC} bypass capacitor is charged to a voltage higher than the start-up threshold V_{CC(ST)}, the ENABLE signal becomes active and the iW1820 begins to perform initial OTP check (See Section 10.14). Afterwards, the iW1820 commences the soft start function. During this start-up process an adaptive soft-start control algorithm is applied, where the initial output pulses are small and gradually become larger until the full pulse width is achieved. The peak current is limited cycle by cycle by the I_{PEAK} comparator. If at any time the V_{CC} voltage drops below undervoltage lockout (UVLO) threshold V_{CC(UVL)}, then the iW1820 goes to shutdown. At this time ENABLE signal becomes low and the V_{CC} capacitor begins to charge up again towards the start-up threshold to initiate a new soft-start process.

While the ENABLE signal initiates the soft-start process, it also pulls down the ASU pin voltage at the same time, which turns off the depletion NFET or the BJT, thus minimizing the no-load standby power consumption.

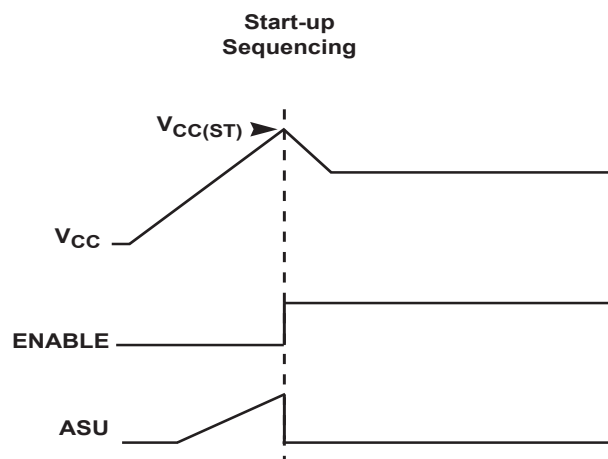


Figure 10.1 : Start-up Sequencing Diagram

10.3 Understanding Primary Feedback

Figure 10.2 illustrates a simplified flyback converter. When the switch Q1 conducts during t_{ON}(t), the current i_g(t) is directly drawn from rectified v_g(t). The energy E_g(t) is stored in the magnetizing inductance L_M. The rectifying diode D1 is reversely-biased and the load current I_O is supplied by the secondary capacitor C_O. When Q1 turns off, D1 conducts and the stored energy E_g(t) is delivered to the output.

15W AccuSwitch™ Quasi-Resonant PWM Controller with Integrated Power BJT for 5V Applications

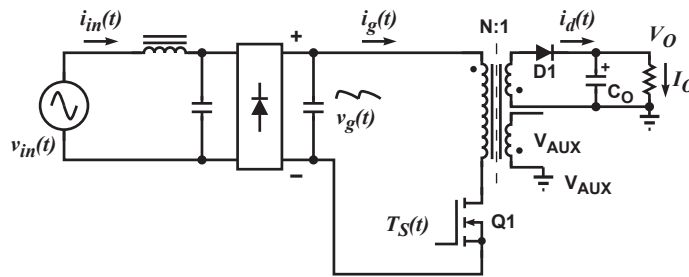


Figure 10.2 : Simplified Flyback Converter

In order to tightly regulate the output voltage, the information about the output voltage and load current must be accurately sensed. In the DCM flyback converter, this information can be read via the auxiliary winding or the primary magnetizing inductance (L_M). During the Q1 on-time, the load current is supplied from the output filter capacitor C_O . The voltage across L_M is $v_g(t)$, assuming the voltage dropped across Q1 is zero. The current in Q1 ramps up linearly at a rate of:

$$\frac{di_g(t)}{dt} = \frac{v_g(t)}{L_M} \tag{10.1}$$

At the end of on-time, the current has ramped up to:

$$i_{g_peak}(t) = \frac{v_g(t) \times t_{ON}}{L_M} \tag{10.2}$$

This current represents a stored energy of

$$E_g = \frac{L_M}{2} \times i_{g_peak}(t)^2 \tag{10.3}$$

When Q1 turns off at t_O , $i_g(t)$ in L_M forces a reversal of polarities on all windings. Ignoring the commutation time caused by the leakage inductance L_K at the instant of turn-off t_O , the primary current transfers to the secondary at a peak amplitude of:

$$i_d(t) = \frac{N_P}{N_S} \times i_{g_peak}(t) \tag{10.4}$$

Assuming the secondary winding is master, and the auxiliary winding is slave,

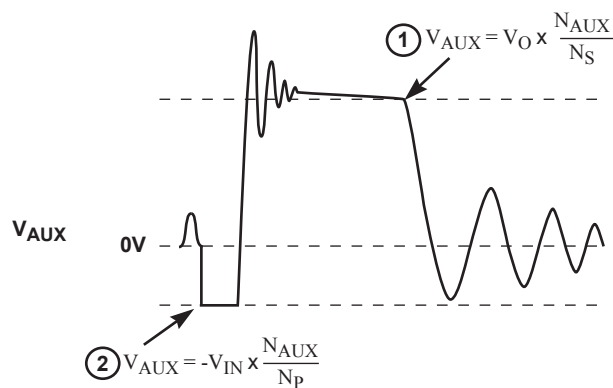


Figure 10.3 : Auxiliary Voltage Waveforms

15W AccuSwitch™ Quasi-Resonant PWM Controller with Integrated Power BJT for 5V Applications

The auxiliary voltage is given by:

$$V_{AUX} = \frac{N_{AUX}}{N_S} (V_O + \Delta V) \quad (10.5)$$

and reflects the output voltage as shown in Figure 10.3.

The voltage at the load differs from the secondary voltage by a diode drop and IR losses. Thus, if the secondary voltage is always read at a constant secondary current, the difference between the output voltage and the secondary voltage is a fixed ΔV . Furthermore, if the voltage can be read when the secondary current is small, ΔV is also small. With the iW1820, ΔV can be ignored.

The real-time waveform analyzer in the iW1820 reads this information cycle by cycle. The device then generates a feedback voltage V_{FB} . The V_{FB} signal precisely represents the output voltage under most conditions and is used to regulate the output voltage.

10.4 Constant Voltage Operation

After soft-start has been completed, the digital control block measures the output conditions. It determines output power levels and adjusts the control system according to a light load or heavy load. If this is in the normal range, the device operates in the Constant Voltage (CV) mode, and changes the pulse width (t_{ON}) and off time (t_{OFF}) in order to meet the output voltage regulation requirements.

If no voltage is detected on V_{SENSE} it is assumed that the auxiliary winding of the transformer is either open or shorted and the iW1820 shuts down.

10.5 Constant Current Operation

The constant current (CC) mode is useful in battery charging applications. During this mode of operation the iW1820 regulates the output current at a constant level regardless of the output voltage, while avoiding continuous conduction mode.

To achieve this regulation the iW1820 senses the load current indirectly through the primary current. The primary current is detected by the I_{SENSE} pin through a resistor from the BJT emitter to ground.

When operating in the CC mode, with the decrease of equivalent load resistance or battery voltage, both the output voltage and V_{CC} decrease. Once the V_{CC} voltage is below UVLO threshold, the iW1820 shuts down (see Section 10.10). Meanwhile, the iW1820 monitors the output voltage, and shuts down the system when the detected output voltage is lower than certain level; this is known as the “CC shutdown voltage”. With this feature, the iW1820 can provide output low impedance protection when there is a low impedance fault at output, for example, short circuit at cable end. The actual shutdown can occur under either one of the above two conditions. The “CC shutdown voltage” here refers to the voltage at the cable end, and the actual output voltage at the PCB end is the sum of the “CC shutdown voltage” and the “Cable Comp” (specified in Section 10.12). Similar to the “Cable Comp”, the “CC shutdown voltage” is also specified based on the nominal output voltage of 5V. For different output voltage, the actual “CC shutdown voltage” needs to be scaled accordingly. As a result, the “CC shutdown voltage” option can adaptively match the cable voltage drop at CC mode.

For instance, for a 5V/2A charger design, if the cable resistance is around 75m Ω , the voltage drop across the cable is around 150mV under both the CV mode full load and CC mode conditions. If CDC Comp is zero, at CV full load, the voltage at the PCB end is around 5V, and the voltage at the cable end is around 4.85V. Then the CC shutdown occurs when the voltage at the PCB end decreases to 2.5V if iW1820 provides 2.5V shutdown voltage, and the voltage at the cable end decreases to 2.35V. Normally a product option with CDC Comp is needed in this design in order to achieve a desirable voltage regulation at CV mode, e.g., the CDC Comp production option is selected as 150mV. Then at CV full load, the voltage at the PCB end is around 5.15V, and the voltage at the cable end is around 5V. Correspondingly the CC shutdown occurs when the voltage at the PCB end decreases to 2.65V, and the voltage at the cable end decreases to 2.5V.

15W AccuSwitch™ Quasi-Resonant PWM Controller with Integrated Power BJT for 5V Applications

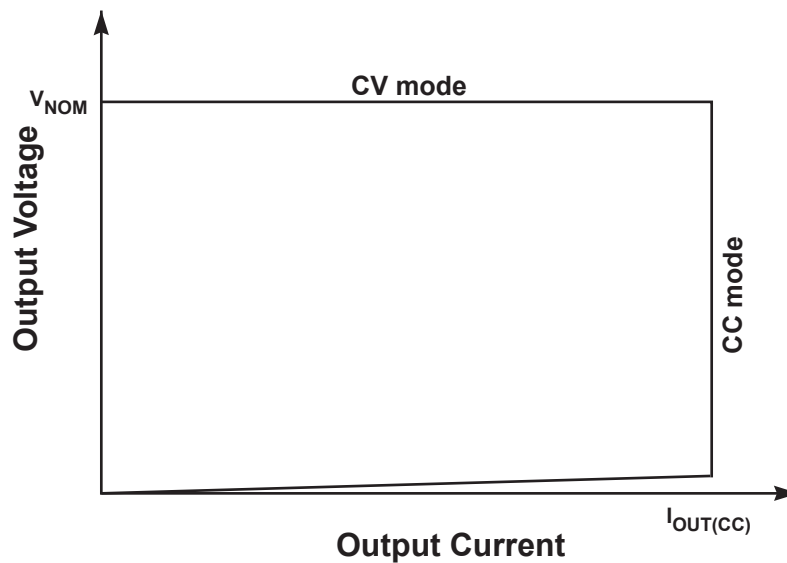


Figure 10.4 : Power Envelope

10.6 Multi-Mode PWM/PFM Control and Quasi-Resonant Switching

The iW1820 uses a proprietary adaptive multi-mode PWM/PFM control to dramatically improve the light-load efficiency and the overall average efficiency.

During the constant voltage (CV) operation, the iW1820 normally operates in a pulse-width-modulation (PWM) mode in heavy load conditions. In the PWM mode, the switching frequency keeps around constant. As the output load I_{OUT} is reduced, the on-time t_{ON} is decreased, and the controller adaptively transitions to a pulse-frequency-modulation (PFM) mode. In the PFM mode, the BJT is turned on for a set duration under a given instantly-rectified AC input voltage, but its off-time is modulated by the load current. With a decreasing load current, the off-time increases and thus the switching frequency decreases.

When the switching frequency approaches the human ear audio band, the iW1820 transitions to a second level of PWM mode, namely deep PWM mode (DPWM). During the DPWM mode, the switching frequency keeps around 25kHz to avoid audible noise. As the load current is further reduced, the iW1820 transitions to a second level of PFM mode, namely deep PFM mode (DPFM), which can reduce the switching frequency to a low level. Although the switching frequency drops across the audible frequency range during the DPFM mode, the output current in the power converter has reduced to an insignificant level in the DPWM mode before transitioning to the DPFM mode. The power converter produces no audible noise, while achieving high efficiency across varying load conditions.

As the load current reduces to low or no-load condition, the iW1820 transitions from the DPFM to the third level of PWM mode, namely deep-deep PWM mode (DDPWM), where the switching frequency is fixed at around 2.1kHz.

The iW1820 also incorporates a unique proprietary quasi-resonant switching scheme that achieves valley-mode turn on for every PWM/PFM switching cycle, during all PFM and PWM modes and in both CV and CC operations. This unique feature greatly reduces the switching loss and dv/dt across the entire operating range of the power supply. Due to the nature of quasi-resonant switching, the switching frequency can vary slightly cycle by cycle, providing the additional benefit of reducing EMI. Together these innovative digital control architecture and algorithms enable the iW1820 to achieve highest overall efficiency and lowest EMI, without causing audible noise over entire operating range.

10.7 Less Than 30mW No-Load Power with Fast Load Transient Response

The iW1820 features the distinctive DDPWM control at no-load conditions to help achieve super-low no-load power

15W AccuSwitch™ Quasi-Resonant PWM Controller with Integrated Power BJT for 5V Applications

consumption (< 30mW for typical applications) and meanwhile to ensure fast dynamic load response. The power supply system designs including the pre-load resistor selection should ensure the power supply can stably operate in the DDPWM mode at the steady-state no-load condition. If the pre-load resistor is too small, the no-load power consumption increases; on the other hand, if it is too large, the output voltage may increase and even cause overvoltage since the switching frequency is fixed at around 2.1kHz. For typical designs, the pre-load resistor is in the range of 5kΩ to 8kΩ.

Aside from the appropriate use of pre-load resistor, the iW1820 enjoys a few other features to bring down no-load power consumption as well. First, the iW1820 implements an intelligent low-power management technique that achieves ultra-low chip operating current at no-load (typically around 250μA). Second, the use of a BJT power switch instead of a MOSFET requires a lower driving voltage, enabling a low UVLO threshold (typically 4.4V). The power supply system design can fully use this low UVLO feature to have a low VCC voltage at the no-load operation in order to minimize the no-load power. All together these features ensure the lowest system cost power supplies built with the iW1820 can achieve less than 50mW no-load power consumption at 230VAC input and very tight constant voltage and constant current regulation over the entire operating range including the no-load operation.

While achieving super-low no-load power consumption, the iW1820 implements innovative proprietary digital control technology to intelligently detect any load transient events, and achieve fast dynamic load response for both one-time and repetitive load transients. In particular, for load transients that are demanded in some applications as from absolutely no load to full load, the iW1820 can still guarantee a fast enough response to meet the most stringent requirements, with the no-load operating frequency designed at around 2.1kHz.

10.8 Variable Frequency Operation Mode

In each of the switching cycles, the falling edge of V_{SENSE} is checked. If the falling edge of V_{SENSE} is not detected, the off-time is extended until the falling edge of V_{SENSE} is detected. The maximum allowed transformer reset time is 110μs. When the transformer reset time reaches 110μs, the iW1820 shuts off.

10.9 Internal Loop Compensation

The iW1820 incorporates an internal Digital Error Amplifier with no requirement for external loop compensation. For a typical power supply design, the loop stability is guaranteed to provide at least 45 degrees of phase margin and -20dB of gain margin.

10.10 Voltage Protection Features

The secondary maximum output DC voltage is limited by the iW1820. When the V_{SENSE} signal exceeds the output OVP threshold at point 1 indicated in Figure 10.3, the iW1820 shuts down.

Although there is no pin available to directly sense the input voltage, the iW1820 uses an innovative proprietary digital control method to detect and analyze the switch ON time, which provides real-time indirect sensing and monitoring of the magnitude and shape of the DC bulk capacitor voltage. This enables the iW1820 to determine and distinguish various conditions of the AC input voltage such as brown-out, brown-in and unplug, and to take appropriate actions. When the AC input voltage drops to below normal operation range and the power supply input is still connected to the AC source, the iW1820 initiates brown-out protection and shuts down the power supply adaptively according to the power supply load condition. Meanwhile, a brown-in input voltage threshold is set with hysteresis. In the case of the power supply input being unplugged or disconnected from the AC source, the iW1820 continues to control the switching actions to discharge the DC bulk capacitor voltage to a safe level before shutting down the power supply. Also, the iW1820 monitors the voltage on the V_{CC} pin and when the voltage on this pin is below UVLO threshold the IC shuts down immediately.

When any of these faults are met the IC remains biased to discharge the V_{CC} supply. Once V_{CC} drops below UVLO threshold, the controller resets itself and then initiates a new soft-start cycle. The controller continues attempting start up until the fault condition is removed.

15W AccuSwitch™ Quasi-Resonant PWM Controller with Integrated Power BJT for 5V Applications

10.11 PCL, OCP and SRS Protection

Peak-current limit (PCL), (OCP), and sense-resistor short protection (SRSP) are features built-in to the iW1820. With the I_{SENSE} pin the iW1820 is able to monitor the peak primary current. This allows for cycle-by-cycle peak current control and limit. When the primary peak current multiplied by the I_{SENSE} resistor is greater than 1.15V, over current (OCP) is detected and the IC immediately turns off the base driver until the next cycle. The output driver sends out a switching pulse in the next cycle, and the switching pulse continues if the OCP threshold is not reached; or, the switching pulse turns off again if the OCP threshold is reached. If the OCP occurs for several consecutive switching cycles, the iW1820 shuts down.

If the I_{SENSE} resistor is shorted, a potential danger of the over current condition not being detected exists. Thus, the IC is designed to detect this sense-resistor-short fault during startup and shut down immediately. The V_{CC} is discharged since the IC remains biased. Once V_{CC} drops below the UVLO threshold, the controller resets itself and then initiates a new soft-start cycle. The controller continues attempting to start up, but does not fully start up until the fault condition is removed.

10.12 Dynamic Base Current Control

One important feature of the iW1820 is that it directly drives a BJT switching device with dynamic base current control to optimize performance. The iW1820 is optimized for 15W. AC/DC adapters/chargers. The BJT base current ranges from 16mA to 50mA, and is dynamically controlled according to the power supply load change. The higher the output power, the higher the base current. Specifically, the base current is related to V_{IPK} .

10.13 Cable Drop Compensation

The iW1820 incorporates an innovative method to compensate for any IR drop in the secondary circuit including cable and cable connector. A 18W adapter with 12V DC output has 2.5% deviation at 1.5A load current due to the drop across a 24 AWG, 1.8 meter DC cable without cable compensation. The iW1820 compensates for this voltage drop by providing a voltage offset to the feedback signal based on the amount of load current detected.

The “Cable Comp” specified in the table in Section 12.0 refers to the voltage increment at PCB end from no-load to fullload conditions in the CV mode, with the assumption that the secondary diode voltage drop can be ignored at the point when the secondary voltage is sensed. Also, the “Cable Comp” is specified based on the nominal output voltage of 5V. For different output voltage, the actual voltage increment needs to be scaled accordingly.

To calculate the amount of cable compensation needed, take the resistance of the cable and connector and multiply by the maximum output current.

10.14 Internal OTP

The iW1820 features an internal OTP that shuts down the device if the internal die junction temperature reaches above T_{SD} . The device is kept off until the junction temperature drops below T_{SD-R} , when the device initiates a new soft-start process to build up the output voltage.

10.15 Thermal Design

The iW1820 may be installed inside a small enclosure, where space and air volumes are constrained. Under these circumstances θ_{JA} (thermal resistance, junction-to-ambient) measurements do not provide useful information for this type of application. Hence we have also provided $\psi_{J-COLLECTOR}$ which estimates the increase in die junction temperature relative to the PCB surface temperature. Figure 10.5 shows the PCB surface temperature is measured at the IC's Collector pin pad.

15W AccuSwitch™ Quasi-Resonant PWM Controller with Integrated Power BJT for 5V Applications

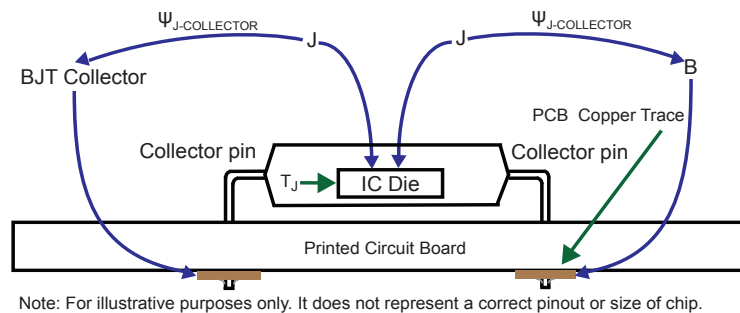


Figure 10.5 : Thermal Resistance

The actual IC power dissipation is related to the power supply application circuit, component selection and operation conditions. The maximum IC power dissipation should be used to estimate the maximum junction temperature. For a typical 12W power supply, the power dissipation can be around 0.6W.

The output power table in Section 3.0 recommends maximum practical continuous output power level be achieved under the following conditions:

- Typical 5V-output power supply designs with a Schottky rectifier diode
- Ambient temperature of 50°C for open frame in a non-ventilated environment
- AC Input voltage is 85V_{AC} at 47Hz
- Minimum bulk capacitor voltage is 90V for open frame
- The iW1820 device is mounted on PCB with no special enhancement for heatsinking and the package/pin temperature is kept below 90°C

Under a given power dissipation, reducing the GND, emitter, and collector pin temperature reduces the junction temperature. Generally, increasing the PCB area and associated amount of copper trace reduces the junction temperature. In particular, the power BJT is a power source and therefore the PCB plating area attached to the two collector pins and the emitter pin can be reasonably large to gain the thermal benefits without violating the high voltage creepage requirements if higher output power is desired. Higher output power is also achievable if bulk capacitor voltage is higher, design is for high line only, design components temperature restriction limit is higher, ambient temperature is lower, or extra metal piece/heat spreader is attached to related pins or package.

15W AccuSwitch™ Quasi-Resonant PWM Controller with Integrated Power BJT for 5V Applications

10.16 PCB Layout

Careful considerations need to be taken when designing a PCB for use with the iW1820. This section describes a few key characteristics of the PCB design for best circuit performance. Figure 10.6 shows a PCB layout for a typical design using the iW1820. For each section of the layout considerations, a simplified view of the layout is used for clarity.

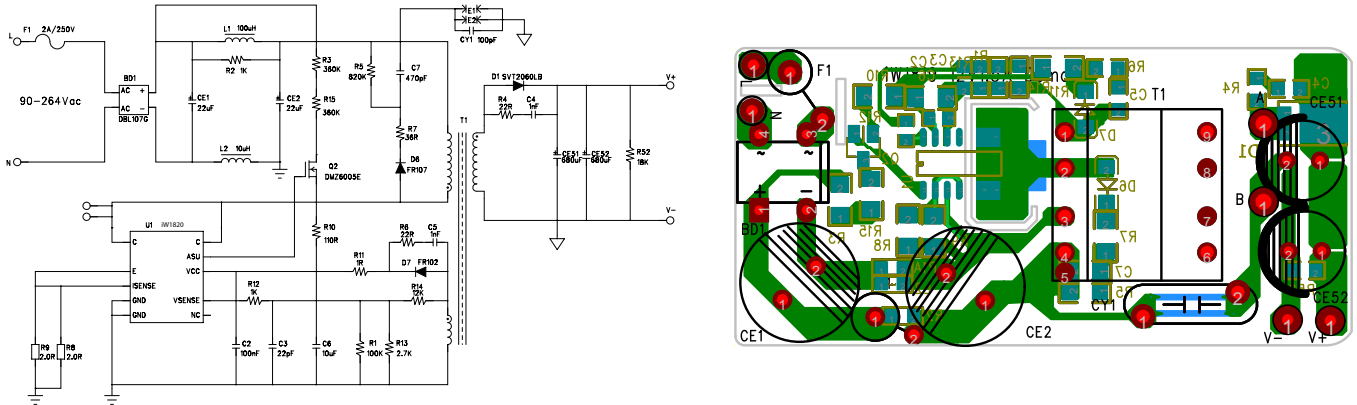


Figure 10.6a : Application Schematic of Typical iW1820 Circuit **Figure 10.6b : Typical Layout of iW1820 Application Circuit**

10.16.1 Creepage

The iW1820 integrates a high-voltage BJT in the same package as the control circuit. The SO-10 package is made especially with a minimum spacing of 1.47mm between the high voltage pins and low voltage pins. For applications that require a creepage rating higher than 1.47mm can use a slot in the PCB between the pins. Figure 10.7 shows the slots on a recommended layout used in a reference design for the iW1820.

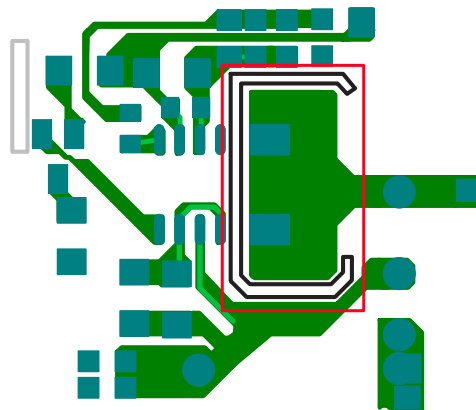


Figure 10.6 : Creepage Layout Example

15W AccuSwitch™ Quasi-Resonant PWM Controller with Integrated Power BJT for 5V Applications

10.16.2 Primary-Side Power Loop

The main power loop, consisting of the input capacitor, primary-side winding, power path through the IC and subsequently through the sense resistor to ground, needs careful consideration during PCB layout. The loop should be as short as possible and the traces, which carry very high dv/dt and di/dt need to be short and wide to keep parasitic resistance and inductance to a minimum. Figure 10.8 shows the paths of concern in a typical layout.

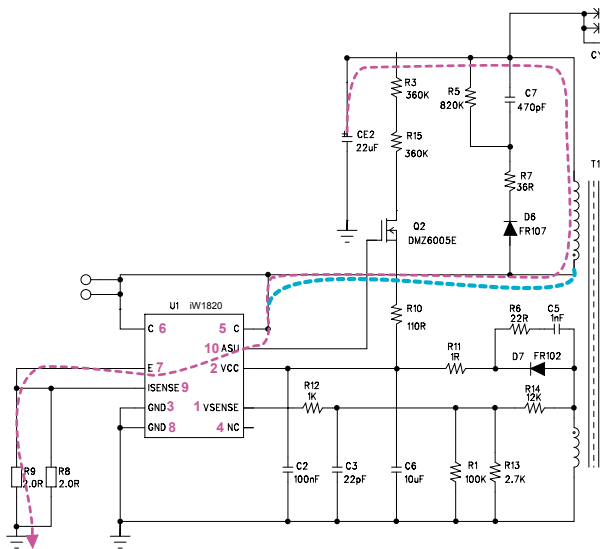


Figure 10.8a : Primary-Side Power Path

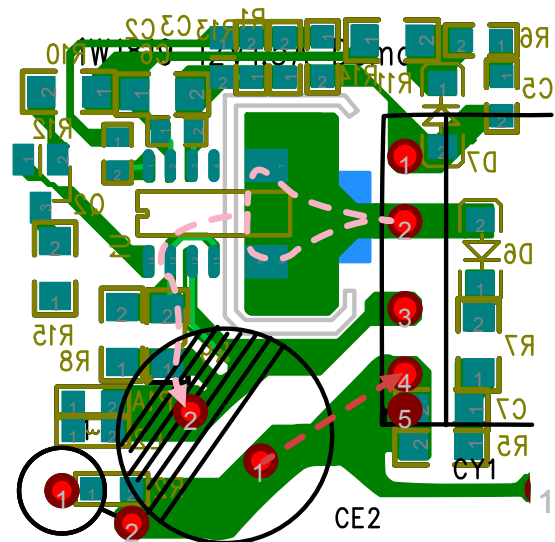


Figure 10.8b : Layout of Primary-Side Power Path

10.16.2 Secondary-Side Power Loop

The secondary-side of the circuit also needs care to optimize performance. The copper trace between the positive connection of the secondary winding of the transformer (NS) and the Schottky rectifier diode should be as short as possible, as it is a hot-point. The copper trace between Schottky diode and the positive terminal of the output capacitor(s) should be as short as possible. The copper trace between the return trace of the secondary winding and the negative terminal of the output capacitor(s) should be as short as possible as well. Finally, the traces connecting the output capacitor should be short and wide so that the current can be fully filtered. Otherwise, the current will bypass the filter capacitor(s) if the copper traces at these points are too large.

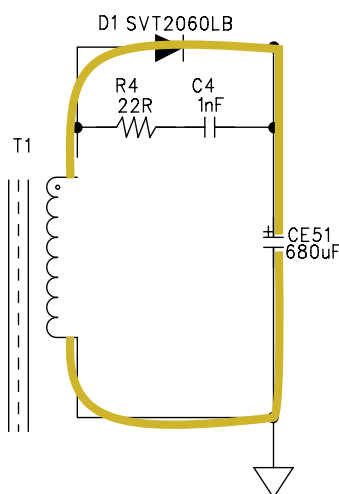


Figure 10.9a : Secondary-Side Power Path

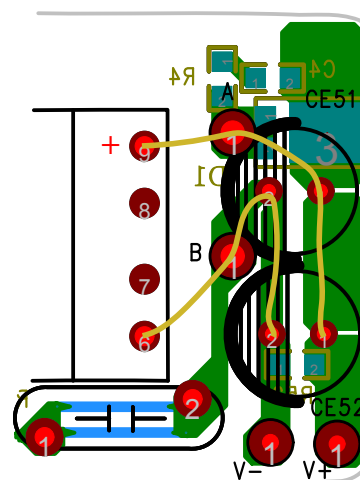


Figure 10.9b : Secondary-Side Layout Path Recommendation

15W AccuSwitch™ Quasi-Resonant PWM Controller with Integrated Power BJT for 5V Applications

10.16.3 V_{SENSE} Voltage Feedback Loop

The voltage sense loop provides the voltage feedback to the controller and it is important to have a clean layout for best performance. The most important points of the layout of the V_{SENSE} traces is to keep them away from hot points or traces with high di/dts or high dv/dts. This prevents noise from coupling into the sensitive voltage feedback loop. The loop should be as small as possible and the trace lengths as short as possible.

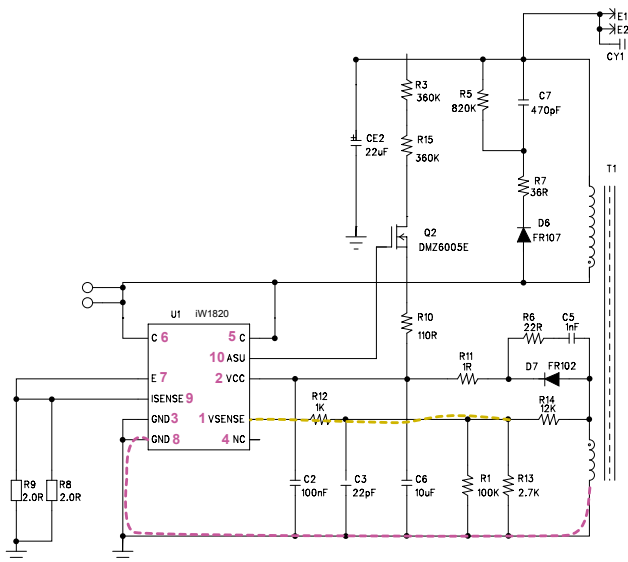


Figure 10.10a : V_{SENSE} Feedback Path

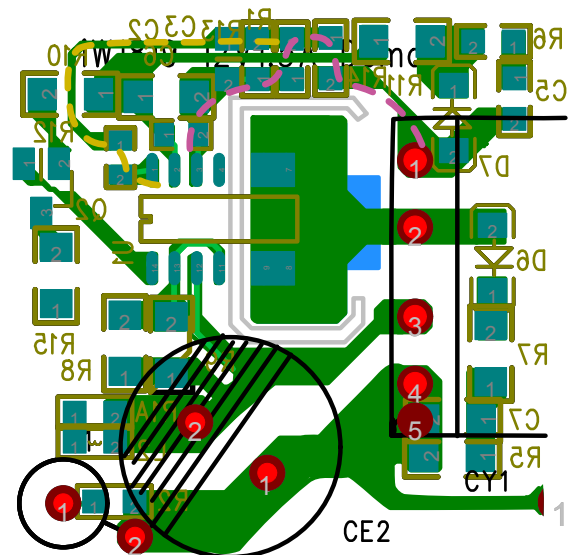


Figure 10.10b : V_{SENSE} Feedback Layout Path

10.16.4 IC and Transformer Ground

The ground traces should not overlap the power loop if at all possible. If it is not possible to avoid overlap, it should be minimized. The copper traces of both the IC ground and the transformer ground should be as short as possible to minimize EMI.

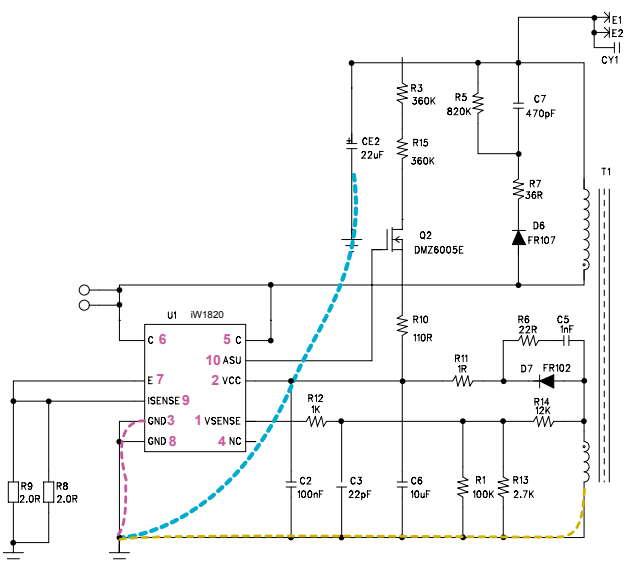


Figure 10.11a : IC and Transformer Ground Path

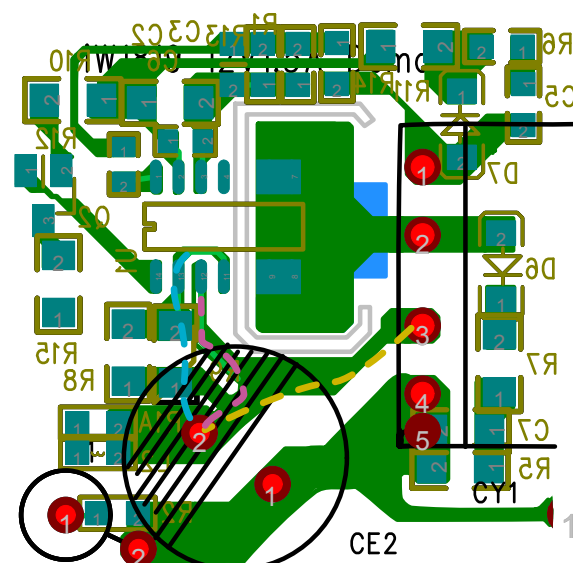


Figure 10.11b : IC and Transformer Ground Layout Path

15W AccuSwitch™ Quasi-Resonant PWM Controller with Integrated Power BJT for 5V Applications

10.16.5 Snubber Circuit

The snubber circuit should be located near the primary-side winding and the copper traces should be as short as possible. The current path from the bulk input capacitor to the snubber circuit and primary-side winding should be as short as possible.

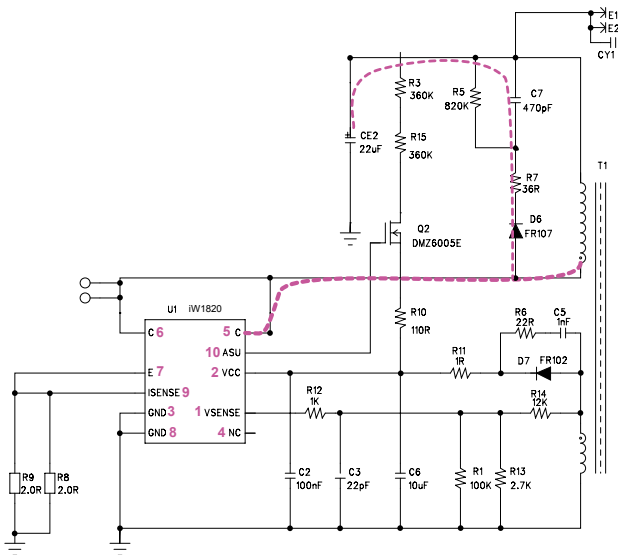


Figure 10.12a : Snubber Circuit Path

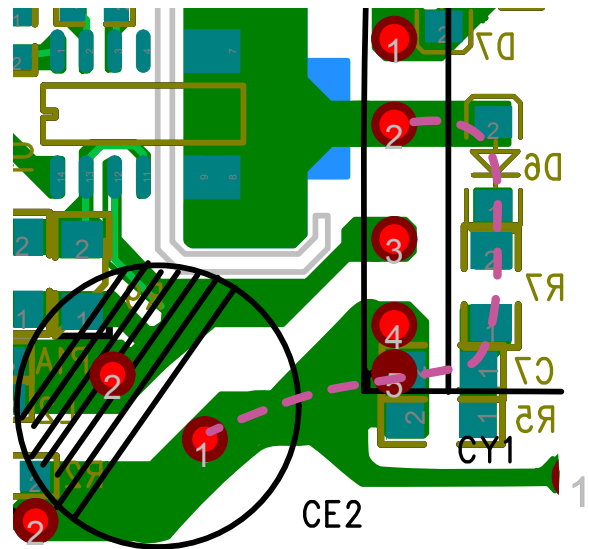


Figure 10.12b : Snubber Circuit Layout Path

10.16.6 IC Power Supply

The power supply for the IC, V_{CC} , needs careful consideration to keep noise out of the control circuit. The bypass capacitors should be as close to the V_{CC} pin as possible, in particular the high frequency bypassing capacitor. This fully filters the aux winding voltage prior to being applied to the V_{CC} pin.

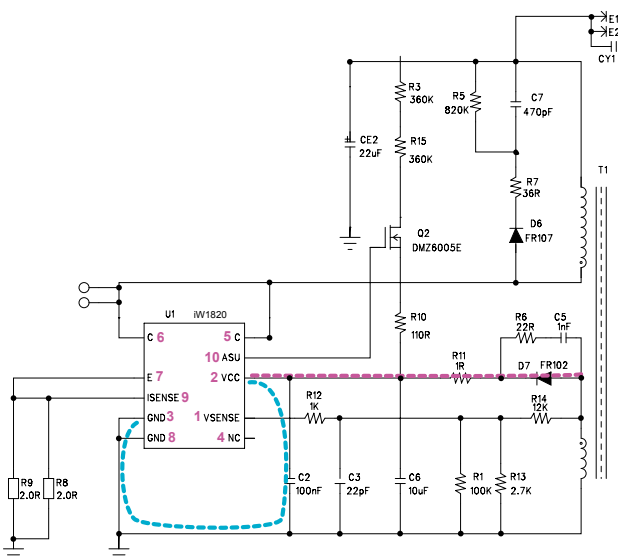


Figure 10.13a : IC Power Supply Path

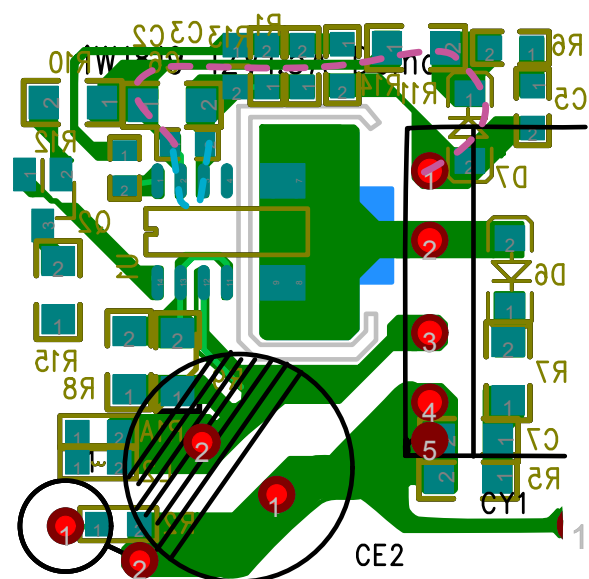


Figure 10.13b : IC Power Supply Layout Path

15W AccuSwitch™ Quasi-Resonant PWM Controller with Integrated Power BJT for 5V Applications

10.16.7 Y-Cap

Similar to the grounding considerations, the copper traces should be as short as possible to help improve EMI performance. Depending on your practical case, the connection to the primary can be the “+” or “-” of the primary bulk E-Cap (but the E-Cap should be the one that is closest to the transformer, CE2 in this example).

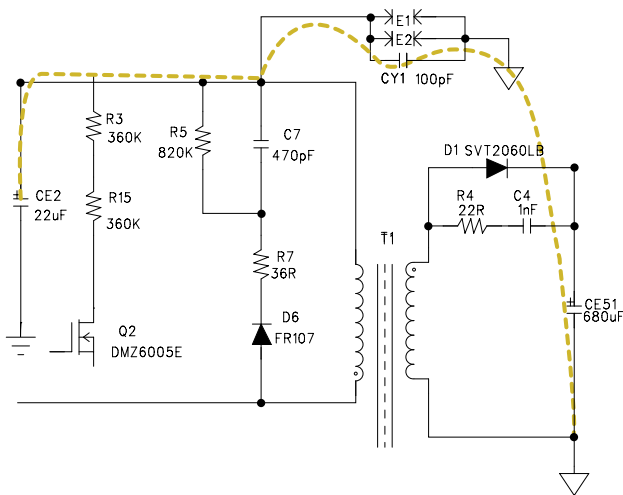


Figure 10.13a : Y-Cap Path

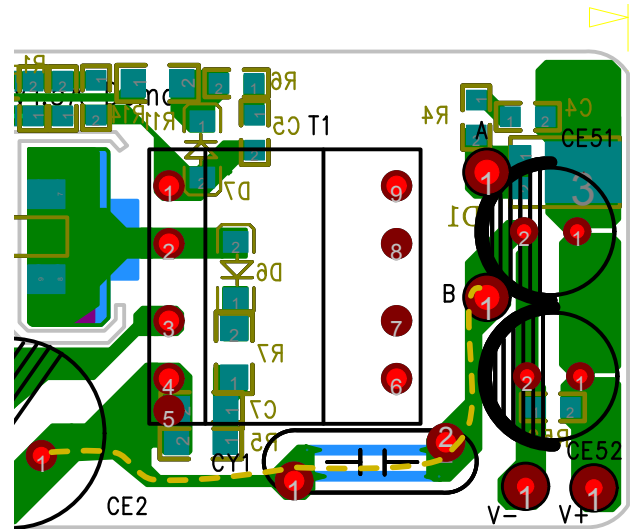
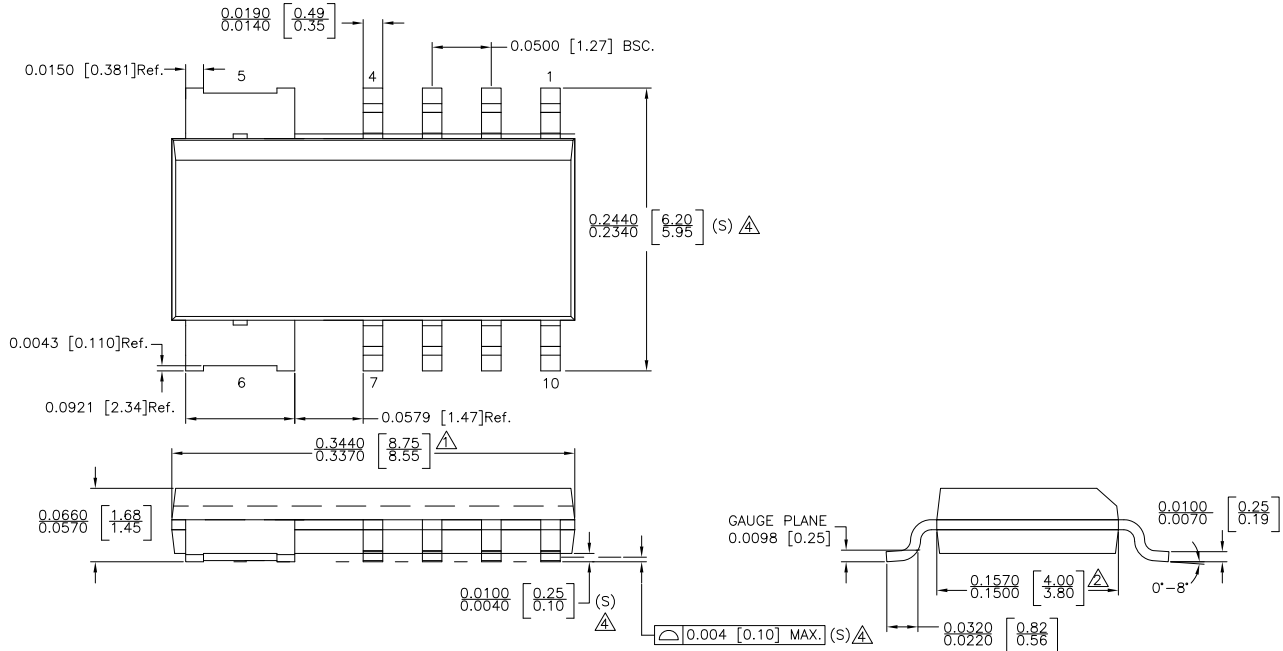


Figure 10.13b : Y-Cap Layout Path

15W AccuSwitch™ Quasi-Resonant PWM Controller with Integrated Power BJT for 5V Applications

11 Physical Dimensions



NOTE :

- △ DOES NOT INCLUDE MOLD FLASH, PROTRUSIONS OR GATE BURRS. MOLD FLASH, PROTRUSIONS AND GATE BURRS SHALL NOT EXCEED .006 INCH PER SIDE.
- △ DOES NOT INCLUDE INTER-LEAD FLASH OR PROTRUSIONS. INTER-LEAD FLASH AND PROTRUSIONS SHALL NOT EXCEED .010 INCH PER SIDE.
- 3. THIS PART IS COMPLIANT WITH JEDEC SPECIFICATION MS-012 AB.
- △ LEAD SPAN/STAND OFF HEIGHT/COPLANARITY ARE CONSIDERED AS SPECIAL CHARACTERISTIC.(S)
- 5. CONTROL DIMENSIONS IN INECHES.[mm]

STATUS: RELEASED	SCALE: DO NOT SCALE
TERMINAL FINISH: NiPdAu (PPF)	
TITLE: 10 SOIC BATWING PACKAGE OUTLINE	
REV: A	REVISION NOTE: NEW DRAWING
DATE: 29-SEP-2015	

12 Ordering Information

Part no.	Options	Package	Description
iW1820-30	Cable Comp = 0mV, OTP recovery threshold = 100°C	SO-10 Batwing	Tape & Reel ¹
iW1820-31	Cable Comp = 300mV, OTP recovery threshold = 100°C	SO-10 Batwing	Tape & Reel ¹
iW1820-33	Cable Comp = 450mV, OTP recovery threshold = 100°C	SO-10 Batwing	Tape & Reel ¹
iW1820-35	Cable Comp = 150mV, OTP recovery threshold = 100°C	SO-10 Batwing	Tape & Reel ¹

Note 1: Tape & Reel packing quantity is 2,500/reel. Minimum ordering packing is 2,500.

15W AccuSwitch™ Quasi-Resonant PWM Controller with Integrated Power BJT for 5V Applications

IMPORTANT NOTICE AND DISCLAIMER

RENESAS ELECTRONICS CORPORATION AND ITS SUBSIDIARIES (“RENESAS”) PROVIDES TECHNICAL SPECIFICATIONS AND RELIABILITY DATA (INCLUDING DATASHEETS), DESIGN RESOURCES (INCLUDING REFERENCE DESIGNS), APPLICATION OR OTHER DESIGN ADVICE, WEB TOOLS, SAFETY INFORMATION, AND OTHER RESOURCES “AS IS” AND WITH ALL FAULTS, AND DISCLAIMS ALL WARRANTIES, EXPRESS OR IMPLIED, INCLUDING, WITHOUT LIMITATION, ANY IMPLIED WARRANTIES OF MERCHANTABILITY, FITNESS FOR A PARTICULAR PURPOSE, OR NON-INFRINGEMENT OF THIRD PARTY INTELLECTUAL PROPERTY RIGHTS.

These resources are intended for developers skilled in the art designing with Renesas products. You are solely responsible for (1) selecting the appropriate products for your application, (2) designing, validating, and testing your application, and (3) ensuring your application meets applicable standards, and any other safety, security, or other requirements. These resources are subject to change without notice. Renesas grants you permission to use these resources only for development of an application that uses Renesas products. Other reproduction or use of these resources is strictly prohibited. No license is granted to any other Renesas intellectual property or to any third party intellectual property. Renesas disclaims responsibility for, and you will fully indemnify Renesas and its representatives against, any claims, damages, costs, losses, or liabilities arising out of your use of these resources. Renesas’ products are provided only subject to Renesas’ Terms and Conditions of Sale or other applicable terms agreed to in writing. No use of any Renesas resources expands or otherwise alters any applicable warranties or warranty disclaimers for these products.

© 2022 Renesas Electronics Corporation. All rights reserved.

RoHS Compliance

Dialog Semiconductor’s suppliers certify that its products are in compliance with the requirements of Directive 2011/65/EU of the European Parliament on the restriction of the use of certain hazardous substances in electrical and electronic equipment. RoHS certificates from our suppliers are available on request.

(Rev.1.0 Mar 2020)

Corporate Headquarters

TOYOSU FORESIA, 3-2-24 Toyosu
Koto-ku, Tokyo 135-0061, Japan
www.renesas.com

Contact Information

For further information on a product, technology, the most up-to-date version of a document, or your nearest sales office, please visit:
www.renesas.com/contact/

Trademarks

Renesas and the Renesas logo are trademarks of Renesas Electronics Corporation. All trademarks and registered trademarks are the property of their respective owners.