

Material:

* Insulation: Nylon 6T UL 94V-0

* Contact: Brass

Ordering Code:

CH87 ** * M 1 P0 -R0
 ① ② ③ ④ ⑤ ⑥ ⑦

- ① Series No.
- ② No. of contacts
- ③ Plating option:
 1= 3.05μm(120μ") Min. Tin
 over 1.27μm(50μ") Nickel
 2= Gold flash plated over 1.27μm(50μ") Nickel
- ④ Tail style: M= SMT Type
- ⑤ Color: 1= Black
- ⑥ Option code: P0= With Pad
- ⑦ Packing Option :R0 = Reel Packing

A = 2.54 * No. of Spaces

B = A + 10.16

C = A + 7.86

△ * Available circuits: 6,8,10,14,16,26

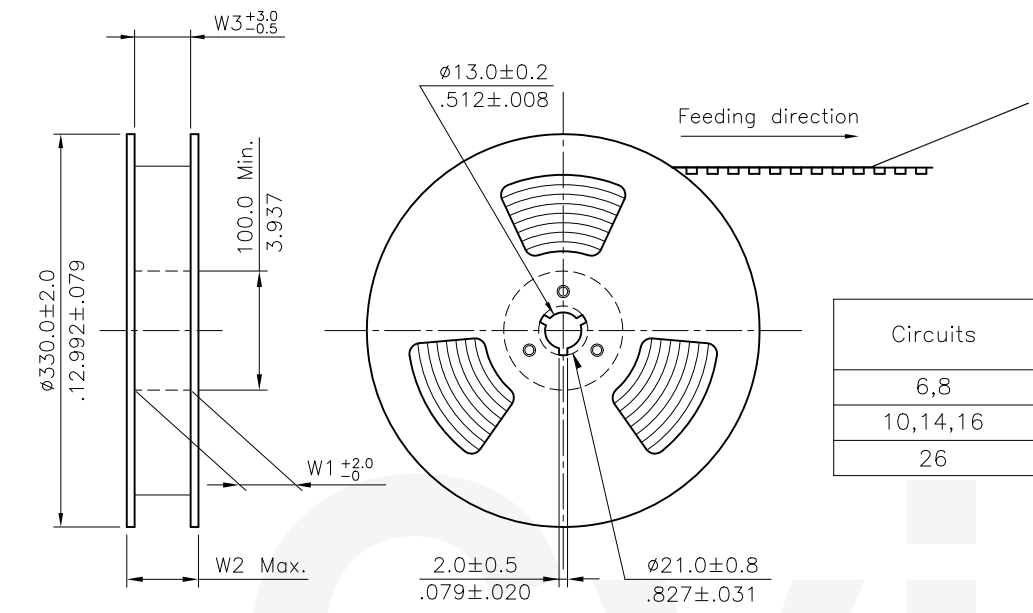
Recommended P.C. Board Layout

RoHS Compliant

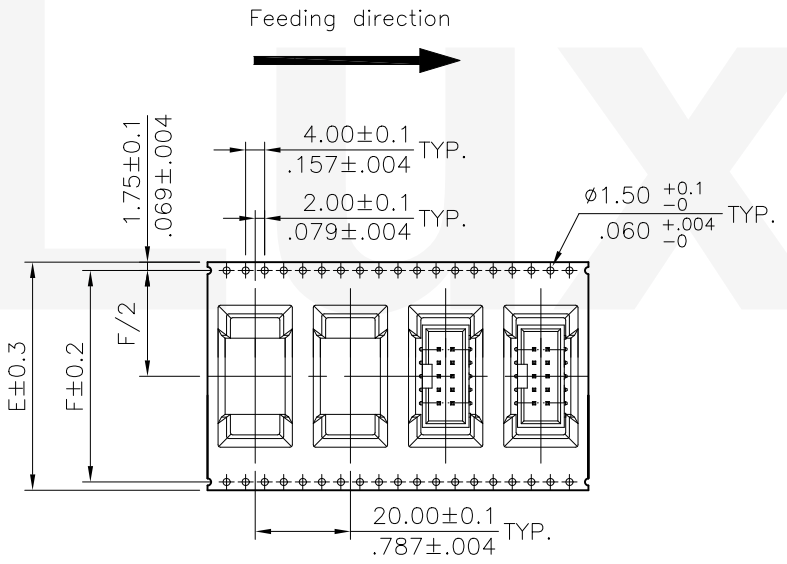
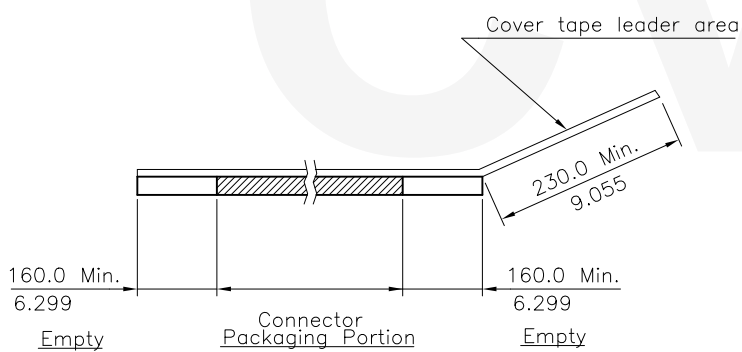
④						DATE	UNIT: mm / inch	TITLE: 2.54MM(.100") SMT TYPE DUAL ROW BOX PIN HEADER	瀚荃股份有限公司 CviLux Corporation	
③	Enya	3/3-14'	ECNT114031		DRAWN BY:	Enya	2/25-14'	TOLERANCE UNLESS OTHERWISE SPECIFIED		MATERIAL:
②	Karen	11/2-09'	ECN09519		ENGINEER:	Sun	2/26-14'	.X ± 0.30/.012 .X' ± 1"		FINISH:
①	Karen	7/29-09'	ECN09388		CHECKED BY:	Eisley	2/27-14'	.XX ± 0.20/.008 .X' ±	DRAWING NO. CH8737SD	PART NO. CH87***M1P0-R0
SYM	NAME	DATE	REVISIONS		APPROVED BY:	David	2/27-14'	.XXX ± 0.10/.004 .XX' ±	SCALE 2 / 1	SHEET 1 OF 2

NOTES:

1. 10 sprocket hole pitch cumulative tolerance ± 0.20
2. Carrier camber is within 1 mm in 250 mm.
3. Material : Transparent Conductive Polysyrene.
4. All dimensions meet EIA-481-C requirements.
5. Thickness : 0.50 ± 0.05 mm.
6. Packing length per 22" Reel : 16.8 Meters.
7. Component load per 13" Reel : 250 pcs.



Circuits	Dimension					Packing (Reel/Caton)
	E	F	W1	W2	W3	
6,8	32.0(1.260)	28.40(1.118)	32.5(1.280)	38.5(1.516)	32.5(1.280)	7
10,14,16	44.0(1.732)	40.40(1.574)	44.5(1.752)	50.5(1.988)	44.5(1.752)	5
26	56.0(2.205)	52.40(2.063)	56.5(2.224)	62.5(2.461)	56.5(2.224)	4



WIDTH : 32,44,56 mm Carrier

RoHS Compliant

SYM	NAME	DATE	REVISIONS	APPROVED BY:	DATE	UNIT: mm / inch	TITLE: TAPE & REEL PACKAGING FOR CH87 SERIES SIDE ENTRY TYPE	MATERIAL:	FINISH:	DRAWING NO.	PART NO.	SHEET	OF	2
4														
3	Enya	3/3-14'	ECNT114031	DRAWN BY:	Enya	2/25-14'	TOLERANCE UNLESS OTHERWISE SPECIFIED			CH8737SD	PART NO. CH87***M1P0-R0	2	OF	2
2	Karen	11/2-09'	ECN09519	ENGINEER:	Sun	2/26-14'								
1	Karen	7/29-09'	ECN09388	CHECKED BY:	Eisley	2/27-14'								
				APPROVED BY:	David	2/27-14'	.X ±	.X' ± 1'						
							.XX ±	.X' ±						
							.XXX ±	.X' ±						

CVILUX CORP
2014.03.06
ISSUED

瀚荃股份有限公司
CviLux Corporation