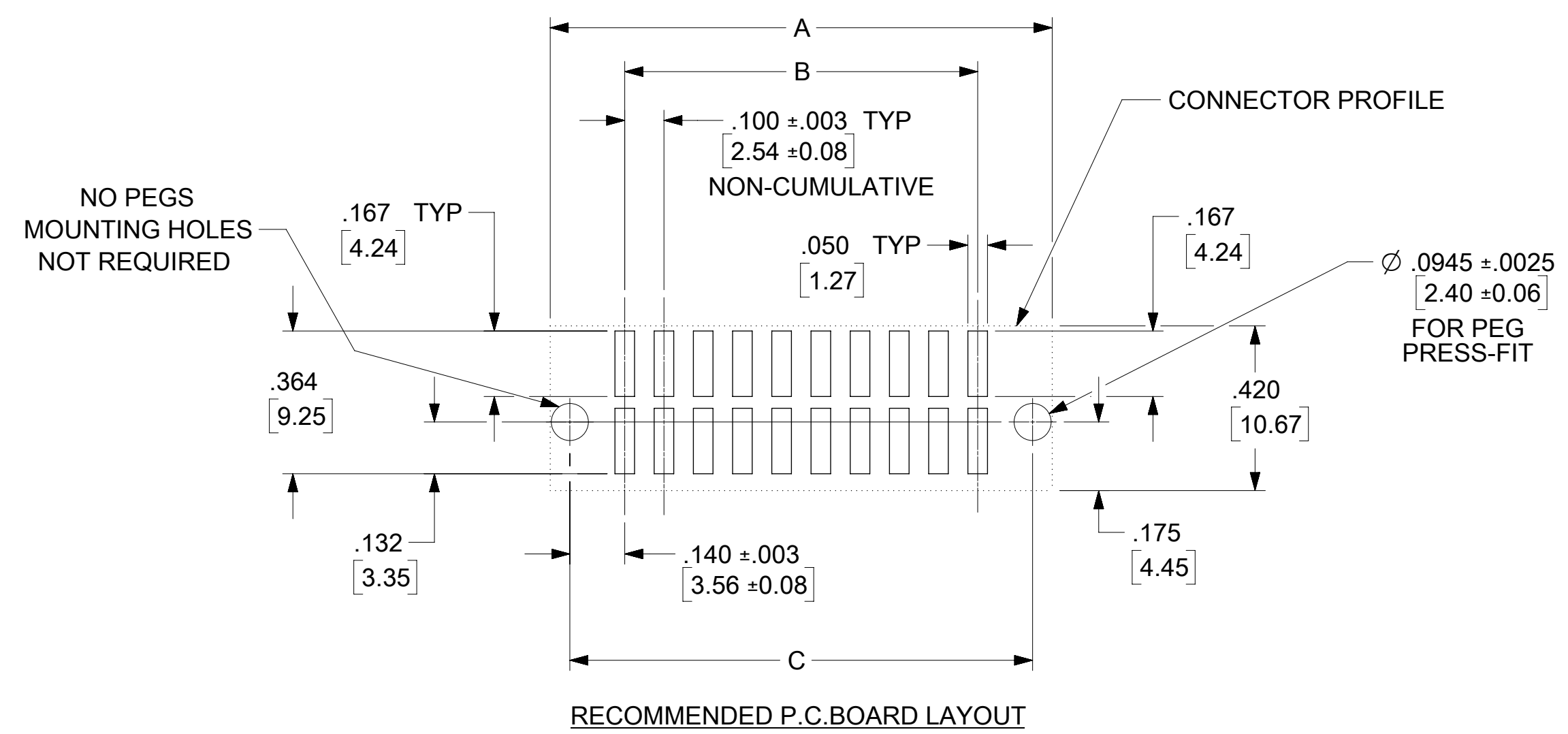
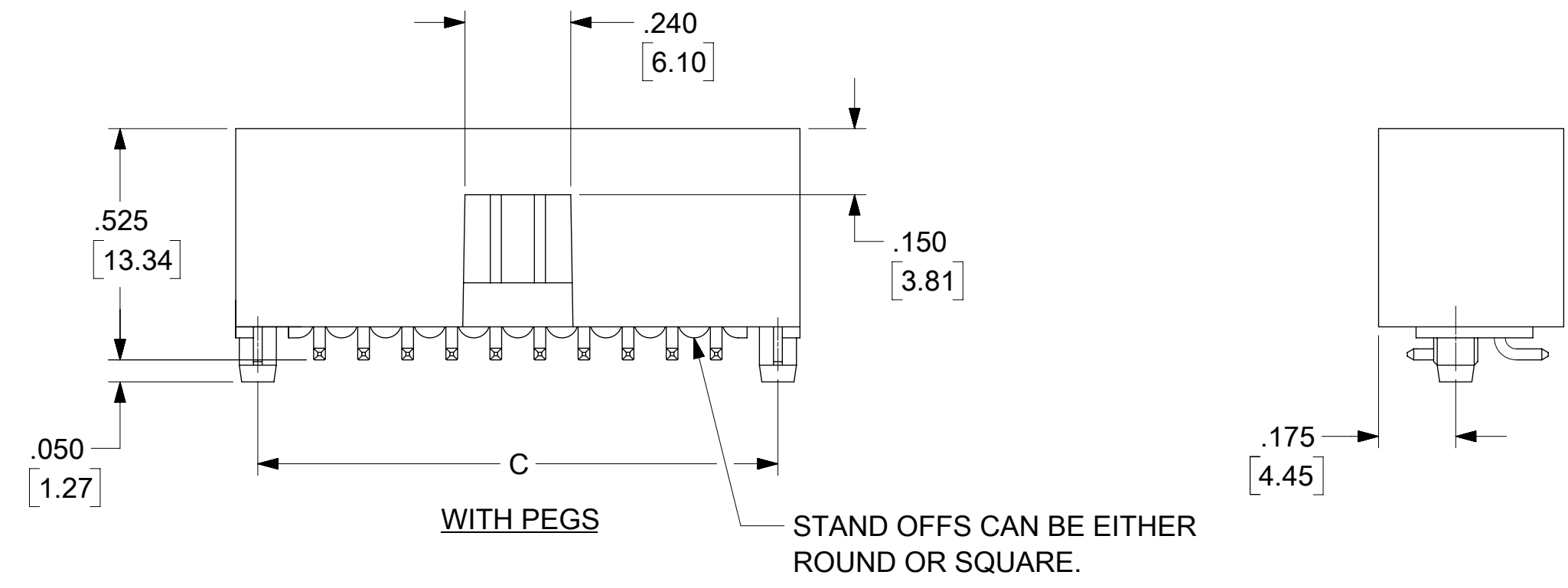
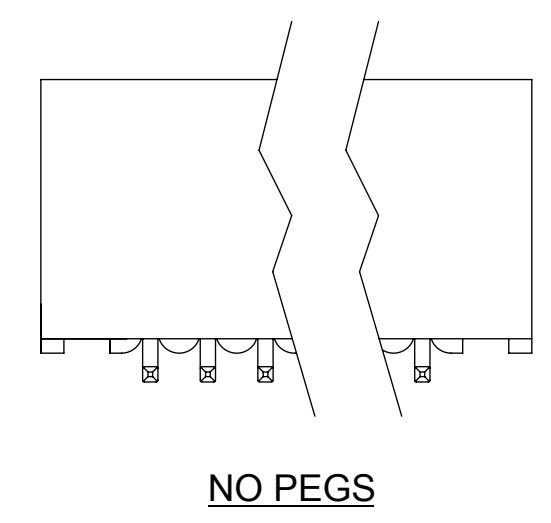
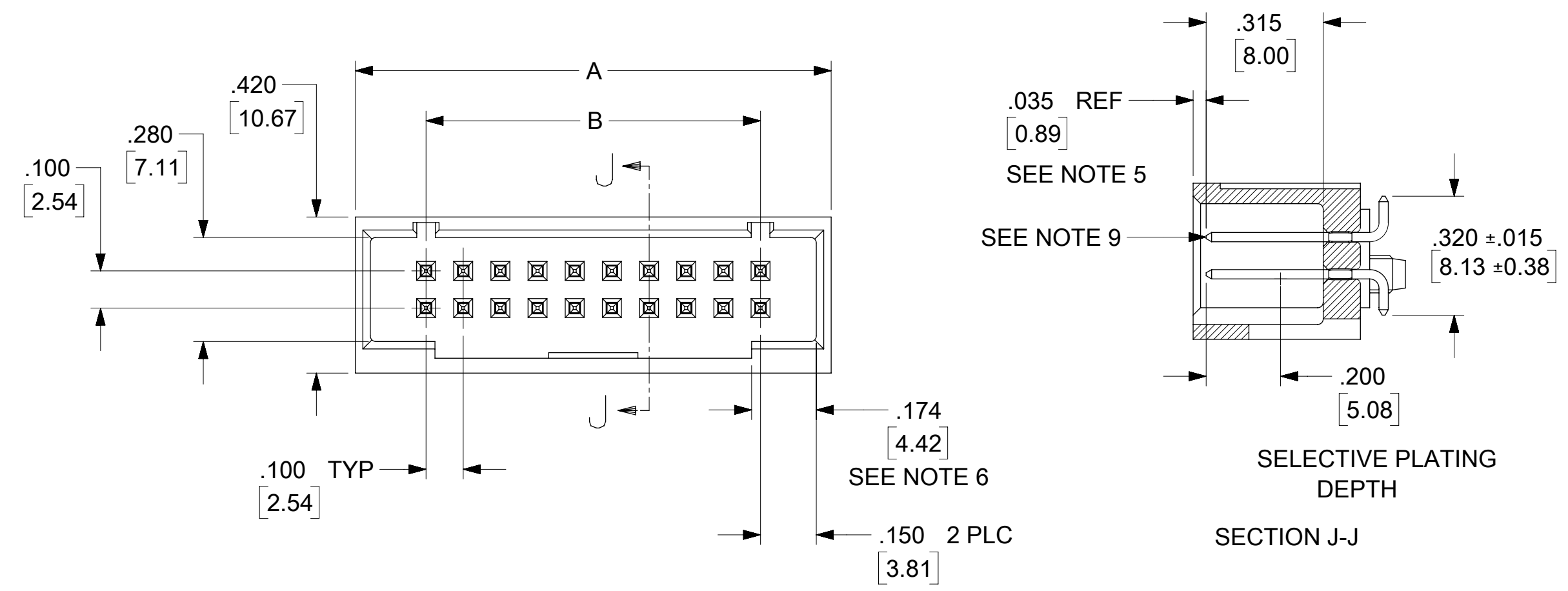


- NOTES:
1. MATERIALS: SHROUDED WAFER: LCP, COLOR: BLACK, 94V-0  
PINS: COPPER ALLOY
  2. FINISHES:  
TIN: .000150/(0.00381) MINIMUM TIN OVER  
.000050/(0.00127) MINIMUM NICKEL.  
15 GOLD: .000015/(0.00038) MINIMUM GOLD PLATE IN SELECTED AREA AND  
.000075/(0.00191) MINIMUM TIN IN SELECTED AREA  
OVER .000050/(0.00127) MINIMUM NICKEL OVER-ALL.  
30 GOLD: .000030/(0.00076) MINIMUM GOLD PLATE IN SELECTED AREA AND  
.000075/(0.00191) MINIMUM TIN IN SELECTED AREA  
OVER .000050/(0.00127) MINIMUM NICKEL OVER-ALL.
  3. PRODUCT SPECIFICATION: PS-71349-001
  4. SEE SHEETS 3 AND 4 FOR PACKAGING DETAILS.
  5. ROW TO ROW PIN HEIGHT VARIATION MUST NOT EXCEED .010/(0.25).
  6. THIS SHOULDER IS .125/(3.18) FOR 6 CIRCUIT ONLY.  
.174/(4.42) FOR ALL OTHER CIRCUIT SIZES.
  7. 20 CIRCUIT SIZE SHOWN FOR ILLUSTRATION PURPOSES.
  8. PIN SMT TAILS MUST MEET SOLDERABILITY PER  
MIL-STD-202, METHOD 208B.
  9. PIN PUSHOUT FORCE 4 LBS/(17.79N) MINIMUM IN DIRECTION INDICATED.
  10. PRODUCT MATES TO 70013B (6 TO 50 CKTS).
  11. THIS PART CONFORMS TO CLASS B REQUIREMENTS OF COSMETIC  
SPECIFICATION PS-45499-002.
  12. PIN FEET TO BE COPLANAR WITHIN .008/(0.20) TOTAL.



|   |    |         |        |   |  |           |  |                 |  |
|---|----|---------|--------|---|--|-----------|--|-----------------|--|
| THIS DRAWING CONTAINS INFORMATION THAT IS PROPRIETARY TO MOLEX ELECTRONIC TECHNOLOGIES, LLC AND SHOULD NOT BE USED WITHOUT WRITTEN PERMISSION |    |         |        |   |  |           |  |                 |  |
| DIMENSION UNITS   |    | SCALE   |        | CURRENT REV DESC:   |  |           |  |                 |  |
| IN/MM   |    | 3:1     |        | <p>EC NO: 705684<br/>         DRWN: ABABUPS 2021/08/26<br/>         CHK'D: DANUSA 2022/05/05<br/>         APPR: MRAMAKRISHNA 2022/05/05</p> <p>INITIAL REVISION:<br/>         DRWN: RB 1992/10/26<br/>         APPR: SMILLER 2011/07/22</p> |  |           |  |                 |  |
| GENERAL TOLERANCES (UNLESS SPECIFIED)   |    |         |        |   |  |           |  |                 |  |
|   | MM | INCH    |        |   |  |           |  |                 |  |
| 4 PLACES  | ±  | ±       |        |   |  |           |  |                 |  |
| 3 PLACES  | ±  | ± 0.005 |        |   |  |           |  |                 |  |
| 2 PLACES  | ±  | 0.13    | ± 0.01 | PRODUCT CUSTOMER DRAWING  |  |           |  |                 |  |
| 1 PLACE   | ±  | 0.25    | ±      | DOCUMENT NUMBER   |  |           |  |                 |  |
| 0 PLACES  | ±  | ±       |        | SDA-71349-XXXX  |  |           |  |                 |  |
| ANGULAR TOL ± 0.5 °   |    |         |        | THIRD ANGLE PROJECTION  |  | DRAWING   |  | SERIES          |  |
| DRAFT WHERE APPLICABLE MUST REMAIN WITHIN DIMENSIONS  |    |         |        | C-SIZE  |  | 71349     |  | MATERIAL NUMBER |  |
|   |    |         |        | GENERAL MARKET  |  | CUSTOMER  |  | SHEET NUMBER    |  |
|   |    |         |        |   |  | SEE TABLE |  | 1 OF 5          |  |

| NO. OF CKTS | "A"           |            | "B"           |            | "C"           |            |
|-------------|---------------|------------|---------------|------------|---------------|------------|
|             | INCH<br>±.005 | MM<br>±.13 | INCH<br>±.003 | MM<br>±.08 | INCH<br>±.003 | MM<br>±.08 |
| 06          | .580          | 14.73      | .200          | 5.08       | .480          | 12.19      |
| 08          | .680          | 17.27      | .300          | 7.62       | .580          | 14.73      |
| 10          | .780          | 19.81      | .400          | 10.16      | .680          | 17.27      |
| 12          | .880          | 22.35      | .500          | 12.70      | .780          | 19.81      |
| 14          | .980          | 24.89      | .600          | 15.24      | .880          | 22.35      |
| 16          | 1.080         | 27.43      | .700          | 17.78      | .980          | 24.89      |
| 18          | 1.180         | 29.97      | .800          | 20.32      | 1.080         | 27.43      |
| 20          | 1.280         | 32.51      | .900          | 22.86      | 1.180         | 29.97      |
| 22          | 1.380         | 35.05      | 1.000         | 25.40      | 1.280         | 32.51      |
| 24          | 1.480         | 37.59      | 1.100         | 27.94      | 1.380         | 35.05      |
| 26          | 1.580         | 40.13      | 1.200         | 30.48      | 1.480         | 37.59      |
| 28          | 1.680         | 42.67      | 1.300         | 33.02      | 1.580         | 40.13      |
| 30          | 1.780         | 45.21      | 1.400         | 35.56      | 1.680         | 42.67      |
| 32          | 1.880         | 47.75      | 1.500         | 38.10      | 1.780         | 45.21      |
| 34          | 1.980         | 50.29      | 1.600         | 40.64      | 1.880         | 47.75      |
| 36          | 2.080         | 52.83      | 1.700         | 43.18      | 1.980         | 50.29      |
| 38          | 2.180         | 55.37      | 1.800         | 45.72      | 2.080         | 52.83      |
| 40          | 2.280         | 57.91      | 1.900         | 48.26      | 2.180         | 55.37      |
| 42          | 2.380         | 60.45      | 2.000         | 50.80      | 2.280         | 57.91      |
| 44          | 2.480         | 62.99      | 2.100         | 53.34      | 2.380         | 60.45      |
| 46          | 2.580         | 65.53      | 2.200         | 55.88      | 2.480         | 62.99      |
| 48          | 2.680         | 68.07      | 2.300         | 58.42      | 2.580         | 65.53      |
| 50          | 2.780         | 70.61      | 2.400         | 60.96      | 2.680         | 68.07      |
| 52          | 2.880         | 73.15      | 2.500         | 63.50      | 2.780         | 70.61      |
| 54          | 2.980         | 75.69      | 2.600         | 66.04      | 2.880         | 73.15      |
| 56          | 3.080         | 78.23      | 2.700         | 68.58      | 2.980         | 75.69      |
| 58          | 3.180         | 80.77      | 2.800         | 71.12      | 3.080         | 78.23      |
| 60          | 3.280         | 83.31      | 2.900         | 73.66      | 3.180         | 80.77      |
| 62          | 3.380         | 85.85      | 3.000         | 76.20      | 3.280         | 83.31      |
| 64          | 3.480         | 88.39      | 3.100         | 78.74      | 3.380         | 85.85      |
| 66          | 3.580         | 90.93      | 3.200         | 81.28      | 3.480         | 88.39      |
| 68          | 3.680         | 93.47      | 3.300         | 83.82      | 3.580         | 90.93      |
| 70          | 3.780         | 96.01      | 3.400         | 86.36      | 3.680         | 93.47      |
| 72          | 3.880         | 98.55      | 3.500         | 88.90      | 3.780         | 96.01      |

|   |  |                     |  |                        |  |                               |              |              |                                |   |  |
|---|--|---------------------|--|------------------------|--|-------------------------------|--------------|--------------|--------------------------------|---|--|
| THIS DRAWING CONTAINS INFORMATION THAT IS PROPRIETARY TO MOLEX ELECTRONIC TECHNOLOGIES, LLC AND SHOULD NOT BE USED WITHOUT WRITTEN PERMISSION |  |                     |  |                        |  |                               |              |              |                                |   |  |
| DIMENSION UNITS<br><b>IN/MM</b>   |  | SCALE<br><b>1:1</b> |  | CURRENT REV DESC:      |  |                               | <b>molex</b> |              |                                |   |  |
| GENERAL TOLERANCES (UNLESS SPECIFIED)   |  |                     |  | EC NO: 705684          |  |                               |              |              |                                | SALES ASSY, WAFER-4 SIDES SHROUDED, HIGH TEMP, SMT POLAR SLOTS, .100 GRID |  |
| 4 PLACES ±  |  | MM                  |  | INCH                   |  | DRWN: ABABUPS 2021/08/26      |              |              | PRODUCT CUSTOMER DRAWING       |   |  |
| 3 PLACES ±  |  | ± 0.005             |  | ± 0.01                 |  | CHK'D: DANUSA 2022/05/05      |              |              | DOCUMENT NUMBER                |   |  |
| 2 PLACES ±  |  | ± 0.13              |  | ± 0.01                 |  | APPR: MRAMAKRISHNA 2022/05/05 |              |              | SDA-71349-XXXX                 |   |  |
| 1 PLACE ±   |  | ± 0.25              |  | ±                      |  | INITIAL REVISION:             |              |              | DOC TYPE   DOC PART   REVISION |   |  |
| 0 PLACES ±  |  | ±                   |  | ±                      |  | DRWN: RB 1992/10/26           |              |              | PSD   001   N2                 |   |  |
| ANGULAR TOL ± 0.5 °   |  | ± 0.5 °             |  | ±                      |  | APPR: SMILLER 2011/07/22      |              |              | MATERIAL NUMBER                |   |  |
| DRAFT WHERE APPLICABLE MUST REMAIN WITHIN DIMENSIONS  |  |                     |  | THIRD ANGLE PROJECTION |  | DRAWING                       |              | SERIES       |                                | CUSTOMER  |  |
|   |  |                     |  |                        |  | <b>C-SIZE</b>                 |              | <b>71349</b> |                                | GENERAL MARKET  |  |
|   |  |                     |  |                        |  |                               |              |              |                                | SHEET NUMBER  |  |
|   |  |                     |  |                        |  |                               |              |              |                                | 2 OF 5  |  |

| WITH PEGS      |                        |                             |                        |                             |                        |                             | WITHOUT PEGS   |                        |                             |                        |                             |                        |                             |
|----------------|------------------------|-----------------------------|------------------------|-----------------------------|------------------------|-----------------------------|----------------|------------------------|-----------------------------|------------------------|-----------------------------|------------------------|-----------------------------|
| PLATING        | TIN                    |                             | 15 GOLD                |                             | 30 GOLD                |                             | PLATING        | TIN                    |                             | 15 GOLD                |                             | 30 GOLD                |                             |
| PACKAGING      | TUBES<br>PK-70873-0019 | TAPE & REEL<br>PK-71349-001 | TUBES<br>PK-70873-0019 | TAPE & REEL<br>PK-71349-001 | TUBES<br>PK-70873-0019 | TAPE & REEL<br>PK-71349-001 | PACKAGING      | TUBES<br>PK-70873-0018 | TAPE & REEL<br>PK-71349-001 | TUBES<br>PK-70873-0018 | TAPE & REEL<br>PK-71349-001 | TUBES<br>PK-70873-0018 | TAPE & REEL<br>PK-71349-001 |
| NO. OF<br>CKTS | ASSEMBLY<br>ITEM NO.   |                             | ASSEMBLY<br>ITEM NO.   |                             | ASSEMBLY<br>ITEM NO.   | ASSEMBLY<br>ITEM NO.        | NO. OF<br>CKTS | ASSEMBLY<br>ITEM NO.   | ASSEMBLY<br>ITEM NO.        | ASSEMBLY<br>ITEM NO.   | ASSEMBLY<br>ITEM NO.        | ASSEMBLY<br>ITEM NO.   | ASSEMBLY<br>ITEM NO.        |
| 06             | 71349-2001             |                             | 71349-2035             |                             | 71349-2069             |                             | 06             | 71349-1001             |                             | 71349-1035             |                             | 71349-1069             |                             |
| 08             | 71349-2002             |                             | 71349-2036             |                             | 71349-2070             |                             | 08             | 71349-1002             | 71349-9002                  | 71349-1036             | 71349-0036                  | 71349-1070             | 71349-5036                  |
| 10             | 71349-2003             | 71349-6003                  | 71349-2037             | 71349-8037                  | 71349-2071             | 71349-4071                  | 10             | 71349-1003             | 71349-9003                  | 71349-1037             | 71349-0037                  | 71349-1071             | 71349-5037                  |
| 12             | 71349-2004             |                             | 71349-2038             |                             | 71349-2072             |                             | 12             | 71349-1004             |                             | 71349-1038             |                             | 71349-1072             |                             |
| 14             | 71349-2005             |                             | 71349-2039             |                             | 71349-2073             |                             | 14             | 71349-1005             | 71349-9005                  | 71349-1039             | 71349-0089                  | 71349-1073             |                             |
| 16             | 71349-2006             |                             | 71349-2040             |                             | 71349-2074             | 71349-4074 (N2)             | 16             | 71349-1006             |                             | 71349-1040             | 71349-0040                  | 71349-1074             | 71349-5040                  |
| 18             | 71349-2007             |                             | 71349-2041             |                             | 71349-2075             |                             | 18             | 71349-1007             |                             | 71349-1041             |                             | 71349-1075             |                             |
| 20             | 71349-2008             | 71349-6008                  | 71349-2042             | 71349-8042                  | 71349-2076             | 71349-4076                  | 20             | 71349-1008             | 71349-9008                  | 71349-1042             |                             | 71349-1076             | 71349-5042                  |
| 20             | -                      | -                           | -                      | -                           | -                      | -                           | 20             | -                      | -                           | 71349-1042             | 71349-0082                  | -                      | -                           |
| 22             | 71349-2009             |                             | 71349-2043             |                             | 71349-2077             |                             | 22             | 71349-1009             |                             | 71349-1043             |                             | 71349-1077             |                             |
| 24             | 71349-2010             |                             | 71349-2044             |                             | 71349-2078             |                             | 24             | 71349-1010             |                             | 71349-1044             |                             | 71349-1078             |                             |
| 26             | 71349-2011             |                             | 71349-2045             |                             | 71349-2079             |                             | 26             | 71349-1011             |                             | 71349-1045             |                             | 71349-1079             |                             |
| 28             | 71349-2012             |                             | 71349-2046             |                             | 71349-2080             |                             | 28             | 71349-1012             |                             | 71349-1046             |                             | 71349-1080             |                             |
| 30             | 71349-2013             |                             | 71349-2047             |                             | 71349-2081             |                             | 30             | 71349-1013             |                             | 71349-1047             |                             | 71349-1081             |                             |
| 32             | 71349-2014             |                             | 71349-2048             |                             | 71349-2082             |                             | 32             | 71349-1014             |                             | 71349-1048             |                             | 71349-1082             |                             |
| 34             | 71349-2015             |                             | 71349-2049             |                             | 71349-2083             |                             | 34             | 71349-1015             |                             | 71349-1049             |                             | 71349-1083             |                             |
| 36             | 71349-2016             |                             | 71349-2050             |                             | 71349-2084             |                             | 36             | 71349-1016             |                             | 71349-1050             |                             | 71349-1084             |                             |
| 38             | 71349-2017             |                             | 71349-2051             |                             | 71349-2085             |                             | 38             | 71349-1017             |                             | 71349-1051             |                             | 71349-1085             |                             |
| 40             | 71349-2018             |                             | 71349-2052             |                             | 71349-2086             |                             | 40             | 71349-1018             |                             | 71349-1052             |                             | 71349-1086             |                             |
| 42             | 71349-2019             |                             | 71349-2053             |                             | 71349-2087             |                             | 42             | 71349-1019             |                             | 71349-1053             |                             | 71349-1087             |                             |
| 44             | 71349-2020             |                             | 71349-2054             |                             | 71349-2088             |                             | 44             | 71349-1020             |                             | 71349-1054             |                             | 71349-1088             |                             |
| 46             | 71349-2021             |                             | 71349-2055             |                             | 71349-2089             |                             | 46             | 71349-1021             |                             | 71349-1055             |                             | 71349-1089             |                             |
| 48             | 71349-2022             |                             | 71349-2056             |                             | 71349-2090             |                             | 48             | 71349-1022             |                             | 71349-1056             |                             | 71349-1090             |                             |
| 50             | 71349-2023             | 71349-6023                  | 71349-2057             | 71349-8057                  | 71349-2091             | 71349-4091                  | 50             | 71349-1023             | 71349-9023                  | 71349-1057             | 71349-0057                  | 71349-1091             | 71349-5057                  |
| 52             | 71349-2024             |                             | 71349-2058             |                             | 71349-2092             |                             | 52             | 71349-1024             |                             | 71349-1058             |                             | 71349-1092             |                             |
| 54             | 71349-2025             |                             | 71349-2059             |                             | 71349-2093             |                             | 54             | 71349-1025             |                             | 71349-1059             |                             | 71349-1093             |                             |
| 56             | 71349-2026             |                             | 71349-2060             |                             | 71349-2094             |                             | 56             | 71349-1026             |                             | 71349-1060             |                             | 71349-1094             |                             |
| 58             | 71349-2027             |                             | 71349-2061             |                             | 71349-2095             |                             | 58             | 71349-1027             |                             | 71349-1061             |                             | 71349-1095             |                             |
| 60             | 71349-2028             |                             | 71349-2062             |                             | 71349-2096             |                             | 60             | 71349-1028             |                             | 71349-1062             |                             | 71349-1096             |                             |
| 62             | 71349-2029             |                             | 71349-2063             |                             | 71349-2097             |                             | 62             | 71349-1029             |                             | 71349-1063             |                             | 71349-1097             |                             |
| 64             | 71349-2030             |                             | 71349-2064             |                             | 71349-2098             |                             | 64             | 71349-1030             |                             | 71349-1064             |                             | 71349-1098             |                             |
| 66             | 71349-2031             |                             | 71349-2065             |                             | 71349-2099             |                             | 66             | 71349-1031             |                             | 71349-1065             |                             | 71349-1099             |                             |
| 68             | 71349-2032             |                             | 71349-2066             |                             | 71349-2100             |                             | 68             | 71349-1032             |                             | 71349-1066             |                             | 71349-1100             |                             |
| 70             | 71349-2033             |                             | 71349-2067             |                             | 71349-2101             |                             | 70             | 71349-1033             |                             | 71349-1067             |                             | 71349-1101             |                             |
| 72             | 71349-2034             |                             | 71349-2068             |                             | 71349-2102             |                             | 72             | 71349-1034             |                             | 71349-1068             |                             | 71349-1102             |                             |

THIS DRAWING CONTAINS INFORMATION THAT IS PROPRIETARY TO MOLEX ELECTRONIC TECHNOLOGIES, LLC AND SHOULD NOT BE USED WITHOUT WRITTEN PERMISSION

|  |                        |                               |   |
|--|------------------------|-------------------------------|---|
| DIMENSION UNITS<br><b>IN/MM</b>                      | SCALE<br><b>1:1</b>    | CURRENT REV DESC:             | <b>molex</b>  |
| GENERAL TOLERANCES (UNLESS SPECIFIED)                |                        | EC NO: 705684                 |   |
| 4 PLACES ±   | MM INCH                | DRWN: ABABUPS 2021/08/26      | SALES ASSY, WAFER-4 SIDES SHROUDED, HIGH TEMP, SMT POLAR SLOTS, .100 GRID |
| 3 PLACES ±   | ± 0.005                | CHK'D: DANUSA 2022/05/05      | PRODUCT CUSTOMER DRAWING  |
| 2 PLACES ±   | 0.13 ± 0.01            | APPR: MRAMAKRISHNA 2022/05/05 |   |
| 1 PLACE ±  | 0.25 ±                 | INITIAL REVISION:             | DOCUMENT NUMBER   |
| 0 PLACES ±   | ±                      | DRWN: RB 1992/10/26           | <b>SDA-71349-XXXX</b>   |
| ANGULAR TOL ±  | 0.5 °                  | APPR: SMILLER 2011/07/22      | DOC TYPE  |
| DRAFT WHERE APPLICABLE MUST REMAIN WITHIN DIMENSIONS | THIRD ANGLE PROJECTION | DRAWING                       | DOC PART  |
|  |                        | SERIES                        | REVISION  |
|  |                        | <b>C-SIZE</b>                 | <b>001</b>  |
|  |                        | <b>71349</b>                  | <b>N2</b>   |
|  |                        | MATERIAL NUMBER               | SHEET NUMBER  |
|  |                        | SEE TABLE                     | <b>3 OF 5</b>   |
|  |                        | CUSTOMER                      |   |
|  |                        | GENERAL MARKET                |   |



BOARD TO BOARD (BTB) DISTANCE

| RECEPTACLE | HEADER | BTB DISTANCE (IN MM ) | PICTORIAL VIEW |
|------------|--------|-----------------------|----------------|
| 71395      | 71349  | 13.80                 |                |

|   |       |                               |         |        |                 |                |   |              |          |          |              |
|---|-------|-------------------------------|---------|--------|-----------------|----------------|---|--------------|----------|----------|--------------|
| THIS DRAWING CONTAINS INFORMATION THAT IS PROPRIETARY TO MOLEX ELECTRONIC TECHNOLOGIES, LLC AND SHOULD NOT BE USED WITHOUT WRITTEN PERMISSION |       |                               |         |        |                 |                |   |              |          |          |              |
| DIMENSION UNITS   | SCALE | CURRENT REV DESC:             |         |        |                 |                |   |              |          |          |              |
| mm  | 5:1   |                               |         |        |                 |                |   |              |          |          |              |
| GENERAL TOLERANCES (UNLESS SPECIFIED)   |       | EC NO: 705684                 |         |        |                 |                | SALES ASSY, WAFER-4 SIDES                       |              |          |          |              |
| ANGULAR TOL ± 0.5°  |       | DRWN: ABABUPS 2021/08/26      |         |        |                 |                | SHROUDED, HIGH TEMP, SMT POLAR SLOTS, .100 GRID |              |          |          |              |
| 4 PLACES ±  |       | CHK'D: DANUSA 2022/05/05      |         |        |                 |                | PRODUCT CUSTOMER DRAWING                        |              |          |          |              |
| 3 PLACES ±  |       | APPR: MRAMAKRISHNA 2022/05/05 |         |        |                 |                | DOCUMENT NUMBER                                 |              |          |          |              |
| 2 PLACES ± 0.13   |       | INITIAL REVISION:             |         |        |                 |                | SDA-71349-XXXX                                  |              | DOC TYPE | DOC PART | REVISION     |
| 1 PLACE ± 0.25  |       | DRWN: RFC_PLMIMP 2018/11/29   |         |        |                 |                | SEE TABLE                                       |              | PSD      | 001      | N2           |
| 0 PLACES ±  |       | APPR: DBRINKMA 2000/11/29     |         |        |                 |                | MATERIAL NUMBER                                 |              | CUSTOMER |          | SHEET NUMBER |
| DRAFT WHERE APPLICABLE MUST REMAIN WITHIN DIMENSIONS  |       | THIRD ANGLE PROJECTION        | DRAWING | SERIES | MATERIAL NUMBER | CUSTOMER       |   | SHEET NUMBER |          |          |              |
|   |       |                               | A3-SIZE | 71349  | SEE TABLE       | GENERAL MARKET |   | 5 OF 5       |          |          |              |

|                 |    |              |            |          |
|-----------------|----|--------------|------------|----------|
| DOCUMENT STATUS | P1 | RELEASE DATE | 2022/05/05 | 09:27:20 |
|-----------------|----|--------------|------------|----------|