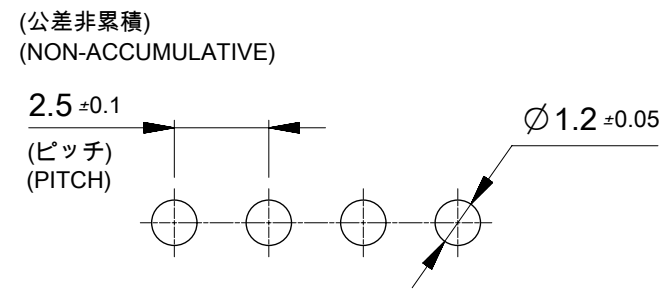


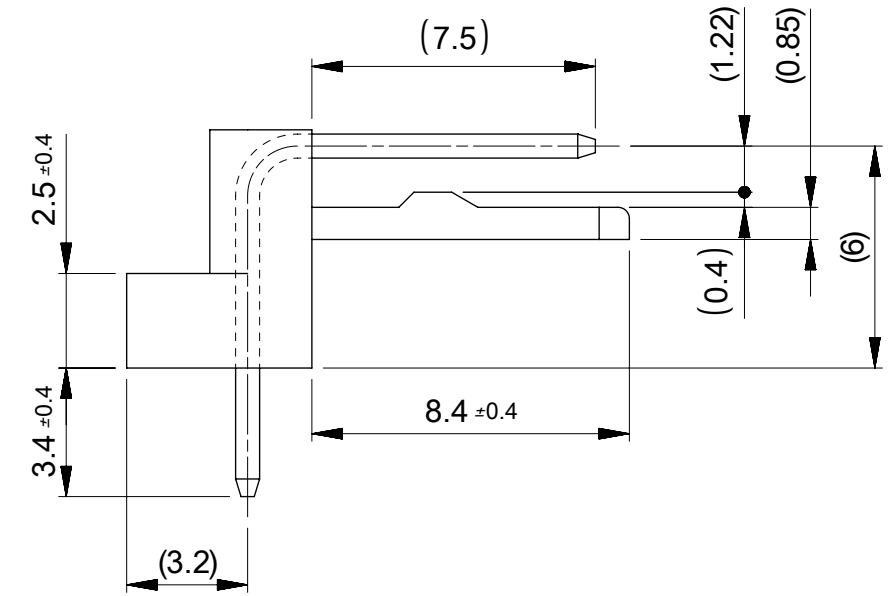
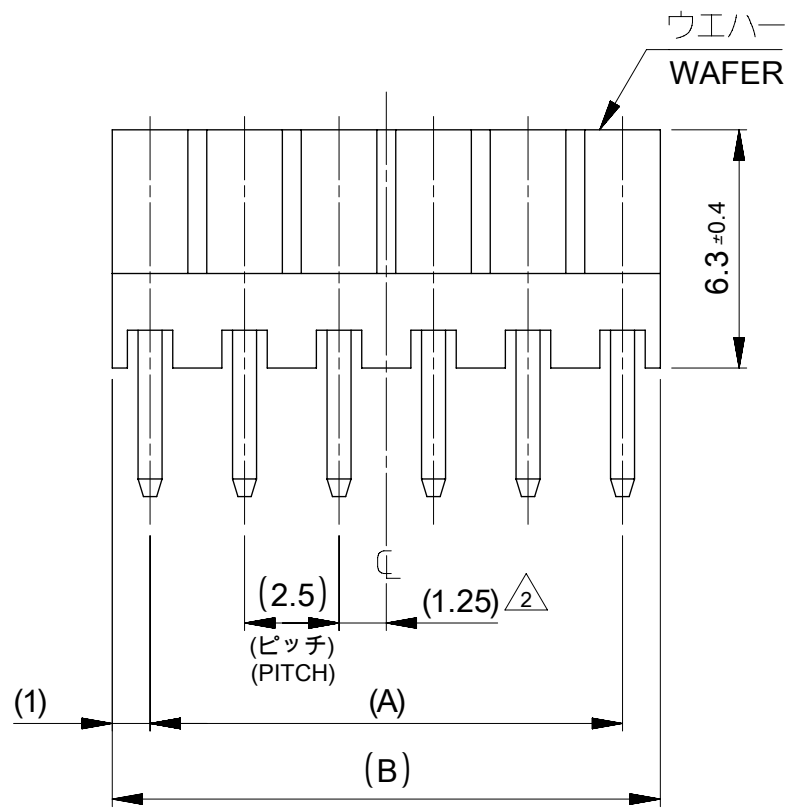
注記

NOTES:

1. 材料(MATERIAL)
 ウェハー : ポリアミド, UL94V-0
 WAFER: POLYAMIDE, UL94V-0
 ピン: □0.635 黄銅、銅下地すずめっき
 PIN: □0.635 BRASS, TIN OVER COPPER PLATING.
2. 全極数が偶数の場合のみ適用。
 APPLY FOR EVEN CIRCUITS PRODUCT ONLY.
3. 本図面はSD-5046-NA REV-Jの再作成図面です。
 THIS DOCUMENT HAS BEEN RE-DRAWING BASED ON SD-5046-NA, REV-J.



基板取付穴推奨寸法
 RECOMMENDED P.W.BOARD HOLE DIM.



37	35	22051152	5046-15A	15
34.5	32.5	22051142	5046-14A	14
32	30	22051132	5046-13A	13
29.5	27.5	22051122	5046-12A	12
27	25	22051112	5046-11A	11
24.5	22.5	22051102	5046-10A	10
22	20	22051092	5046-09A	9
19.5	17.5	22051082	5046-08A	8
17	15	22051072	5046-07A	7
14.5	12.5	22051062	5046-06A	6
12	10	22051052	5046-05A	5
9.5	7.5	22051042	5046-04A	4
7	5	22051032	5046-03A	3
4.5	2.5	22051022	5046-02A	2
(B)	(A)	ORDER NO.	ENG. NO.	CKT.

THIS DRAWING CONTAINS INFORMATION THAT IS PROPRIETARY TO MOLEX ELECTRONIC TECHNOLOGIES, LLC AND SHOULD NOT BE USED WITHOUT WRITTEN PERMISSION

DIMENSION UNITS	SCALE	CURRENT REV DESC: REVISED&REDRAWING		
mm	5:1			
GENERAL TOLERANCES (UNLESS SPECIFIED)				
ANGULAR TOL	± °	KK 2.5 RIGHT ANGLE WAFER ASS'Y		
4 PLACES	±	PRODUCT CUSTOMER DRAWING		
3 PLACES	±	DOCUMENT NUMBER		
2 PLACES	± 0.2	50460002		
1 PLACE	± 0.2	DOC TYPE		
0 PLACES	± 0.2	PSD		
DRAFT WHERE APPLICABLE MUST REMAIN WITHIN DIMENSIONS		THIRD ANGLE PROJECTION		DOC PART
		DRAWING		000
		SERIES		A
		MATERIAL NUMBER		REVISION
		CUSTOMER		
		SHEET NUMBER		
		SEE CHART		
		GENERAL		
		1 OF 1		