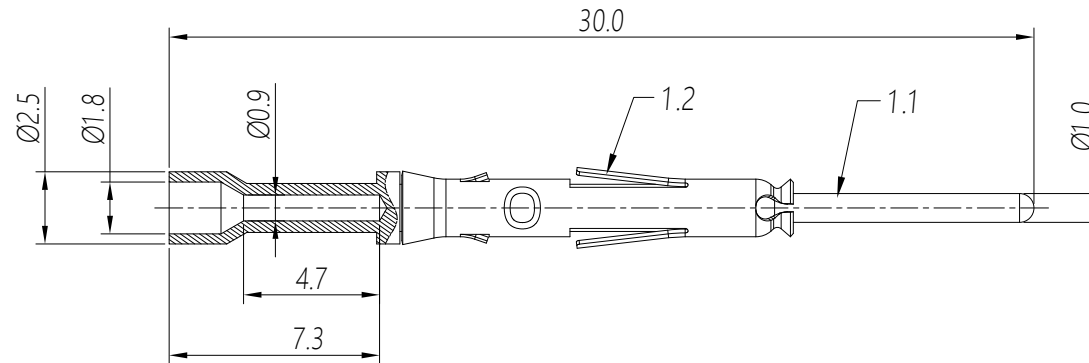


REVISIONS					
REV	ECO	DESCRIPTION	DATE	BY	APPR
B1	-	RELEASED DRAWING	JUN-18-2014	BEN	TOMMY



- NOTES: (UNLESS OTHERWISE SPECIFIED)
- MATERIAL:
    - CONTACT BODY: COPPER ALLOY.
    - OUTER SPRING: STAINLESS STEEL.
  - SPECIFICATIONS:
    - CURRENT RATING: 7.5A(MAX).
    - TERMINATION TYPE: CRIMPING.
    - WIRE RANGE: 26~24AWG.
  - SUITABLE SOCKET TYPE: MS24W23xx.
  - ROHS COMPLIANT.
  - ALL DIMENSIONS ARE FOR REFERENCE USE ONLY.

P/N	CONTACT PLATING(MATING AREA)
MP24W23F	GOLD FLASH PLATING OVER NICKEL.
MP24W23G5	5μ" GOLD PLATING OVER NICKEL.
MP24W23G10	10μ" GOLD PLATING OVER NICKEL.
MP24W23G15	15μ" GOLD PLATING OVER NICKEL.
MP24W23G30	30μ" GOLD PLATING OVER NICKEL.

QUANTITY	PART NUMBER	DESCRIPTION	ITEM
<b>MATERIALS LIST</b>			
<small>UNLESS OTHERWISE SPECIFIED</small> 1) All dimensions are in metric(mm). 2) Tolerances are as follows: 1 PL DEC ±0.30 2 PL DEC ±0.15 3 PL DEC ±0.08 Fractions ±1/64 Angles ±1° 3) Note reference =		SIGNATURES DRAWN: BEN CHECKED: ENGINEER: APPROVAL: DATE: JUN-18-2014	<b>Amphenol</b> Sine Systems - www.amphenol-sine.com 44724 Morley Drive Clinton Township, MI 48036
MATERIAL SPECIFICATIONS:  PROCESS SPECIFICATIONS:  NEXT ASSY:		CUSTOMER:  THIS DRAWING IS SUPPLIED FOR INFORMATION ONLY. DESIGN FEATURES, SPECIFICATIONS AND PERFORMANCE DATA SHOWN HEREON ARE THE PROPERTY OF THE AMPHENOL CORPORATION. NO RIGHTS OF REPRODUCTION ARE IMPLIED. ALL DIMENSIONS ARE SUBJECT TO NORMAL MANUFACTURING VARIATIONS.	ECO-MATE, PIN CONTACT, MACHINE, 26-24AWG, SIZE 20.  SIZE: <b>B</b> TYPE: <b>C</b> DWG NO.: <b>MP24W23xx</b> REVISION: <b>B1</b> SCALE: NONE SHEET 1 OF 1

TITLE: ECO-MATE PIN CONTACT MACHINE, 26-24AWG, SIZE 20  
 DWG NO: MP24W23xx  
 REV: B1  
 SH: 1  
 OF: 1