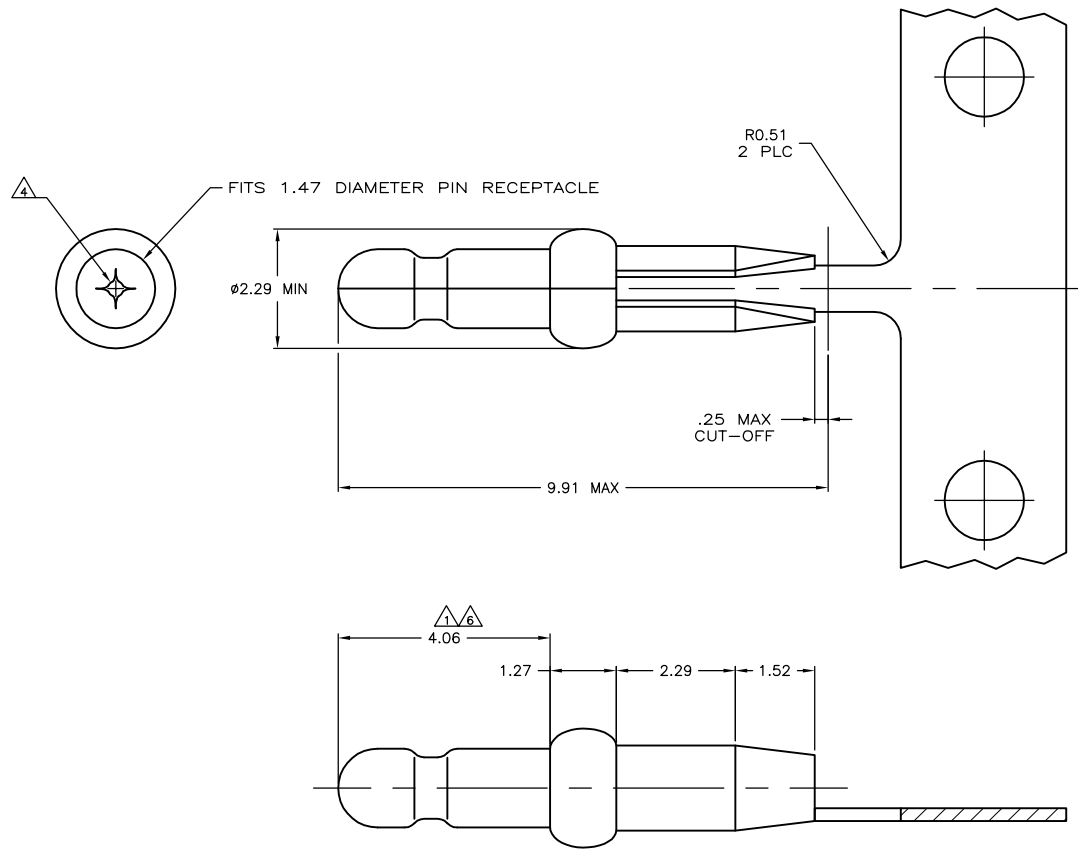
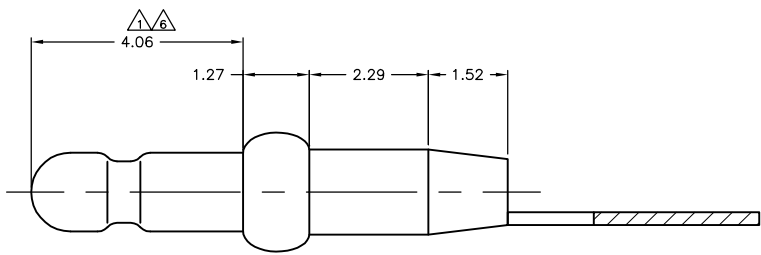
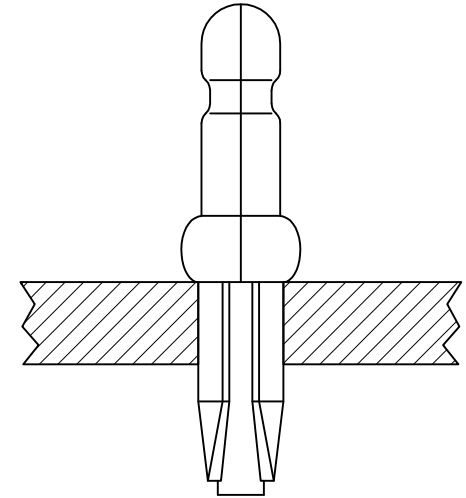


THIS DRAWING IS UNPUBLISHED. RELEASED FOR PUBLICATION  
 © COPYRIGHT - TE Connectivity ALL RIGHTS RESERVED.

REVISIONS					
REV	DESCRIPTION	DATE	OWN	APP'D	
AK2	REVISED PER ECR-17-013047	12SEP17	J.Z	D.Z	



- ⚠ 0.00076 MIN GOLD PLATING IN THIS AREA WITH 0.00381 MIN MATTE TIN LEAD ON THE REMAINDER, BOTH OVER 0.00127 MIN NICKEL UNDERPLATE.
- 2. FITS 1.47 - 1.57 DIAMETER HOLE IN A 1.57 OR 2.36 PRINTED CIRCUIT BOARD.
- 3. PARTS TO COMPLY WITH AMP SOLDERABILITY SPECIFICATION 109-11-3.
- ⚠ 0.05 - 0.25 DIAMETER OPENING REQUIRED IN TIP OF PIN.
- 5. APPLICATOR FEED: 8.00 - 8.26.
- ⚠ 0.00076 MIN GOLD PLATING IN THIS AREA WITH 0.00381 MIN MATTE TIN ON THE REMAINDER, BOTH OVER 0.00127 MIN NICKEL UNDERPLATE.



MM	IN	MM	IN	MM	IN	MM	IN
0.13	.005	1.52	.060	8.00	.315	-	-
0.05	.002	1.47	.058	4.06	.160	-	-
0.00381	0.000150	1.27	.050	2.36	.093	-	-
0.00127	0.000050	0.51	.020	2.29	.090	9.91	.390
0.00076	0.000030	0.25	.010	1.57	.062	8.26	.325

CONVERSION TABLE

**METRIC**

THIS DRAWING IS A CONTROLLED DOCUMENT.		OWN T. BECK 29JUL97	3-60809-2	
DIMENSIONS: mm		CHK R. SWING 29JUL97	60809-2	
TOLERANCES UNLESS OTHERWISE SPECIFIED: 0 PLC ± - 1 PLC ± - 2 PLC ± 0.13 3 PLC ± - 4 PLC ± - ANGLES ± -		DATE A. BEDDICK 10SEP97	60809-1	
MATERIAL 0.25 PH BRZ		FINISH SEE TABLE	PART NUMBER	
PRODUCT SPEC 108-1025		TE Connectivity		
APPLICATION SPEC 114-1008		PIN, .058 DIAMETER, PHOSPHOR BRONZE, PRESS FIT, P.C. CONTACT		
WEIGHT 0.000000	SIZE A2	CAGE CODE 00779	DRAWING NO 60809	RESTRICTED TO -
CUSTOMER DRAWING		SCALE 15:1	SHEET 1 of 1	REV AK2

OBSOLETE	⚠	3-60809-2
	⚠	60809-2
	⚠	60809-1
	⚠	PART NUMBER