

HE1H



Dimensions & Weight

Pitch Spacing	8 mm
Weight per piece (12 pole)	17.2 g

Technical Data/Ratings

Approvals		
Wire Size (solid / stranded)	24-12 AWG	1-2.5 mm ²
Voltage Rating	600 V	500 V
Current Rating	20 A	6 A
Torque	4.4 lb-in	0.35 Nm
Insulation Material	Polyamide 66/6 V0	
Insert Material	Tinned Brass	
Screw Material	Blue Chromated Steel	

Installation Instructions

Wire Stripping Length	5 mm
Mounting Hole Diameter	3.0 mm
Terminal Screw Size	M2.6

Terminal Strips

	Cat. No.	Cat. No.	Length	Std. Pk.
2 pole	HE1HWPR/02	HE1HWPR/02/BK	13.2 mm	100
3 pole	HE1HWPR/03	HE1HWPR/03/BK	21.2 mm	100
4 pole	HE1HWPR/04	HE1HWPR/04/BK	29.2 mm	100
5 pole	HE1HWPR/05	HE1HWPR/05/BK	37.2 mm	100
6 pole	HE1HWPR/06	HE1HWPR/06/BK	45.2 mm	50
7 pole	HE1HWPR/07	HE1HWPR/07/BK	53.2 mm	50
8 pole	HE1HWPR/08	HE1HWPR/08/BK	61.2 mm	50
9 pole	HE1HWPR/09	HE1HWPR/09/BK	69.2 mm	50
10 pole	HE1HWPR/10	HE1HWPR/10/BK	77.2 mm	50
11 pole	HE1HWPR/11	HE1HWPR/11/BK	85.2 mm	50
12 pole	HE1HWPR/12	HE1HWPR/12/BK	93.2 mm	50

Accessories

	Cat. No.	Std. Pk.
External Jumpers 2 pole	HCL8-2	100
3 pole	HCL8-3	100
4 pole	HCL8-4	100
12 pole	HCL8-12	25

HIGHLIGHTS

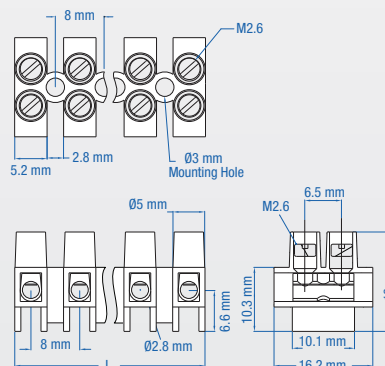
FEATURES

- 600V up to 63A
- Cost effective reliable wire-to-wire solution
- Easy to use double-row terminal strips
- Panel mount or free float
- Finger safe metal parts
- Wire protector
- easy to cut to required pole configuration
- Pre cut version in stock
- Color: white

APPLICATIONS

- HVAC
- Appliances
- Equipment
- Power Distribution
- Junction Boxes
- Cost effective alternative to barrier strips

HE1H DIMENSIONS



(All dimensions are shown in mm, to convert to inches please divide by 25.4)

HE6H



Dimensions & Weight

Pitch Spacing	12 mm
Weight per piece (12 pole)	49.1 g

Technical Data/Ratings

Approvals	
Wire Size (solid / stranded)	20-10 AWG / 4-6 mm ²
Voltage Rating	600 V / 500 V
Current Rating	40 A / 16 A
Torque	7.0 lb-in / 0.55 Nm
Insulation Material	Polyamide 66/6 V0
Insert Material	Tinned Brass
Terminal Screw Material	Blue Chromated Steel

Installation Instructions

Wire Stripping Length	5 mm
Mounting Hole Diameter	4.2 mm
Terminal Screw Size	M3.5

Terminal Strips

	Cat. No. <input type="checkbox"/>	Cat. No. <input checked="" type="checkbox"/>	Length	Std. Pk.
2 pole	HE6HWPR/02	HE6HWPR/02/BK	19.8 mm	100
3 pole	HE6HWPR/03	HE6HWPR/03/BK	31.8 mm	100
4 pole	HE6HWPR/04	HE6HWPR/04/BK	43.8 mm	100
5 pole	HE6HWPR/05	HE6HWPR/05/BK	55.8 mm	100
6 pole	HE6HWPR/06	HE6HWPR/06/BK	67.8 mm	50
7 pole	HE6HWPR/07	HE6HWPR/07/BK	79.8 mm	50
8 pole	HE6HWPR/08	HE6HWPR/08/BK	91.8 mm	50
9 pole	HE6HWPR/09	HE6HWPR/09/BK	103.8 mm	50
10 pole	HE6HWPR/10	HE6HWPR/10/BK	115.8 mm	25
11 pole	HE6HWPR/11	HE6HWPR/11/BK	127.8 mm	25
12 pole	HE6HWPR/12	HE6HWPR/12/BK	139.8 mm	25

Accessories

	Cat. No.	Std. Pk.
External Jumpers 2 pole	HCL12-2	100
3 pole	HCL12-3	100
4 pole	HCL12-4	100
12 pole	HCL12-12	25

HIGHLIGHTS

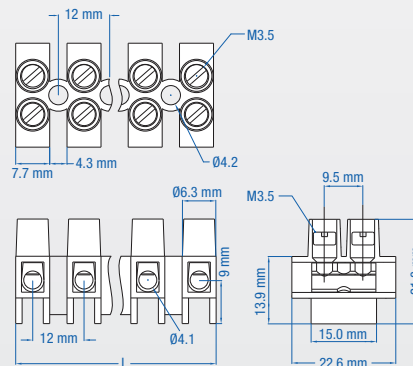
FEATURES

- 600V up to 63A
- Cost effective reliable wire-to-wire solution
- Easy to use double-row terminal strips
- Panel mount or free float
- Finger safe metal parts
- Wire protector
- easy to cut to required pole configuration
- Pre cut version in stock
- Color: white

APPLICATIONS

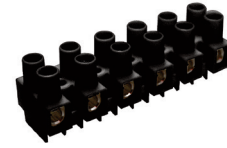
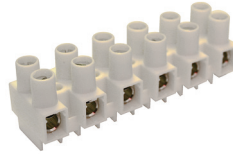
- HVAC
- Appliances
- Equipment
- Power Distribution
- Junction Boxes
- Cost effective alternative to barrier strips

HE6H DIMENSIONS



(All dimensions are shown in mm, to convert to inches please divide by 25.4)

HE10H



HIGHLIGHTS

FEATURES

- 600V up to 63A
- Cost effective reliable wire-to-wire solution
- Easy to use double-row terminal strips
- Panel mount or free float
- Finger safe metal parts
- Wire protector
- easy to cut to required pole configuration
- Pre cut version in stock
- Color: white

APPLICATIONS

- HVAC
- Appliances
- Equipment
- Power Distribution
- Junction Boxes
- Cost effective alternative to barrier strips

Dimensions & Weight

Pitch Spacing	15 mm
Weight per piece (12 pole)	98.7 g

Technical Data/Ratings

Approvals		
Wire Size (solid / stranded)	18-8 AWG	6-10 mm ²
Voltage Rating	600 V	500 V
Current Rating	50 A	25 A
Torque	7.6 lb-in	0.84 Nm
Insulation Material	Polyamide 66/6 V0	
Insert Material	Tinned Brass	
Screw Material	Blue Chromated Steel	

Installation Instructions

Wire Stripping Length	6 mm
Mounting Hole Diameter	4.5 mm
Terminal Screw Size	M4

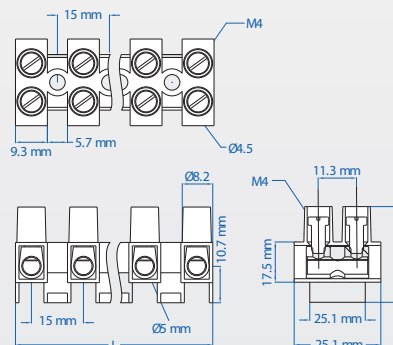
Terminal Strips

	Cat. No. <input type="checkbox"/>	Cat. No. <input checked="" type="checkbox"/>	Length	Std. Pk.
2 pole	HE10HWPR/02	HE10HWPR/02/BK	24.2 mm	40
3 pole	HE10HWPR/03	HE10HWPR/03/BK	39.2 mm	40
4 pole	HE10HWPR/04	HE10HWPR/04/BK	54.2 mm	40
5 pole	HE10HWPR/05	HE10HWPR/05/BK	69.2 mm	40
6 pole	HE10HWPR/06	HE10HWPR/06/BK	84.2 mm	20
7 pole	HE10HWPR/07	HE10HWPR/07/BK	99.2 mm	20
8 pole	HE10HWPR/08	HE10HWPR/08/BK	114.2 mm	20
9 pole	HE10HWPR/09	HE10HWPR/09/BK	129.2 mm	10
10 pole	HE10HWPR/10	HE10HWPR/10/BK	144.2 mm	10
11 pole	HE10HWPR/11	HE10HWPR/11/BK	159.2 mm	10
12 pole	HE10HWPR/12	HE10HWPR/12/BK	174.2 mm	10

Accessories

	Cat. No.	Std. Pk.
External Jumpers		
2 pole	HCL15-2	100
3 pole	HCL15-3	100
4 pole	HCL15-4	100
12 pole	HCL15-12	25

HE10H DIMENSIONS



(All dimensions are shown in mm, to convert to inches please divide by 25.4)

HE16H



Dimensions & Weight

Pitch Spacing	15 mm
Weight per piece (12 pole)	99.3 g

Technical Data/Ratings

Approvals	
Wire Size (solid / stranded)	18-6 AWG / 10-16 mm ²
Voltage Rating	600 V / 500 V
Current Rating	63 A / 35 A
Torque	17.7 lb-in / 1.4 Nm
Insulation Material	Polyamide 66/6 V0
Insert Material	Tinned Brass
Terminal Screw Material	Blue Chromated Steel

Installation Instructions

Wire Stripping Length	6 mm
Mounting Hole Diameter	4.5 mm
Terminal Screw Size	M5

Terminal Strips

	Cat. No. <input type="checkbox"/>	Cat. No. <input checked="" type="checkbox"/>	Length	Std. Pk.
2 pole	HE16HWPR/02	HE16HWPR/02/BK	24.2 mm	40
3 pole	HE16HWPR/03	HE16HWPR/03/BK	39.2 mm	40
4 pole	HE16HWPR/04	HE16HWPR/04/BK	54.2 mm	40
5 pole	HE16HWPR/05	HE16HWPR/05/BK	69.2 mm	40
6 pole	HE16HWPR/06	HE16HWPR/06/BK	84.2 mm	20
7 pole	HE16HWPR/07	HE16HWPR/07/BK	99.2 mm	20
8 pole	HE16HWPR/08	HE16HWPR/08/BK	114.2 mm	20
9 pole	HE16HWPR/09	HE16HWPR/09/BK	129.2 mm	10
10 pole	HE16HWPR/10	HE16HWPR/10/BK	144.2 mm	10
11 pole	HE16HWPR/11	HE16HWPR/11/BK	159.2 mm	10
12 pole	HE16HWPR/12	HE16HWPR/12/BK	174.2 mm	10

Accessories

	Cat. No.	Std. Pk.
External Jumpers	HCL15-2	100
	HCL15-3	100
	HCL15-4	100
	HCL15-12	25

HIGHLIGHTS

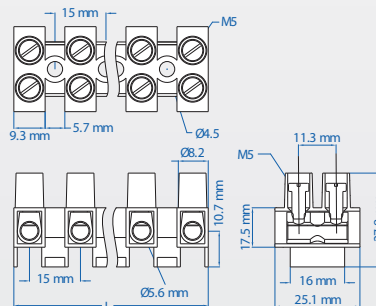
FEATURES

- 600V up to 63A
- Cost effective reliable wire-to-wire solution
- Easy to use double-row terminal strips
- Panel mount or free float
- Finger safe metal parts
- Wire protector
- easy to cut to required pole configuration
- Pre cut version in stock
- Color: white

APPLICATIONS

- HVAC
- Appliances
- Equipment
- Power Distribution
- Junction Boxes
- Cost effective alternative to barrier strips

HE16H DIMENSIONS



(All dimensions are shown in mm, to convert to inches please divide by 25.4)