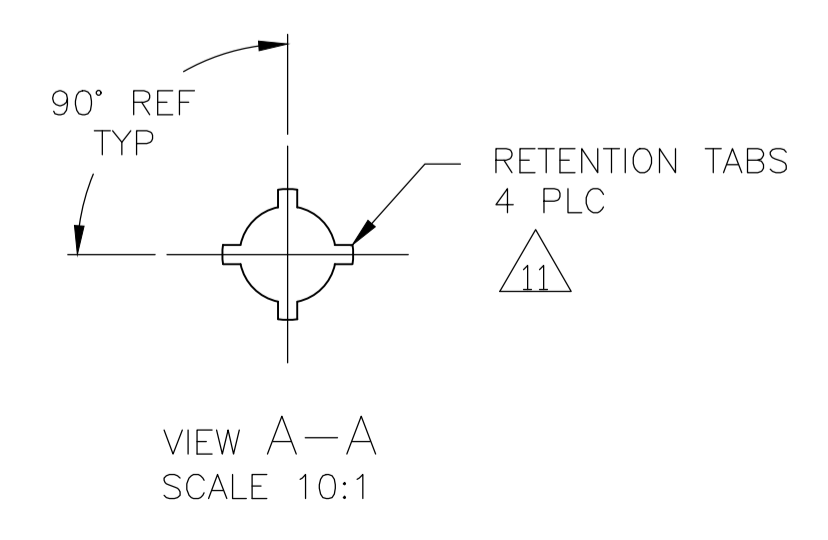
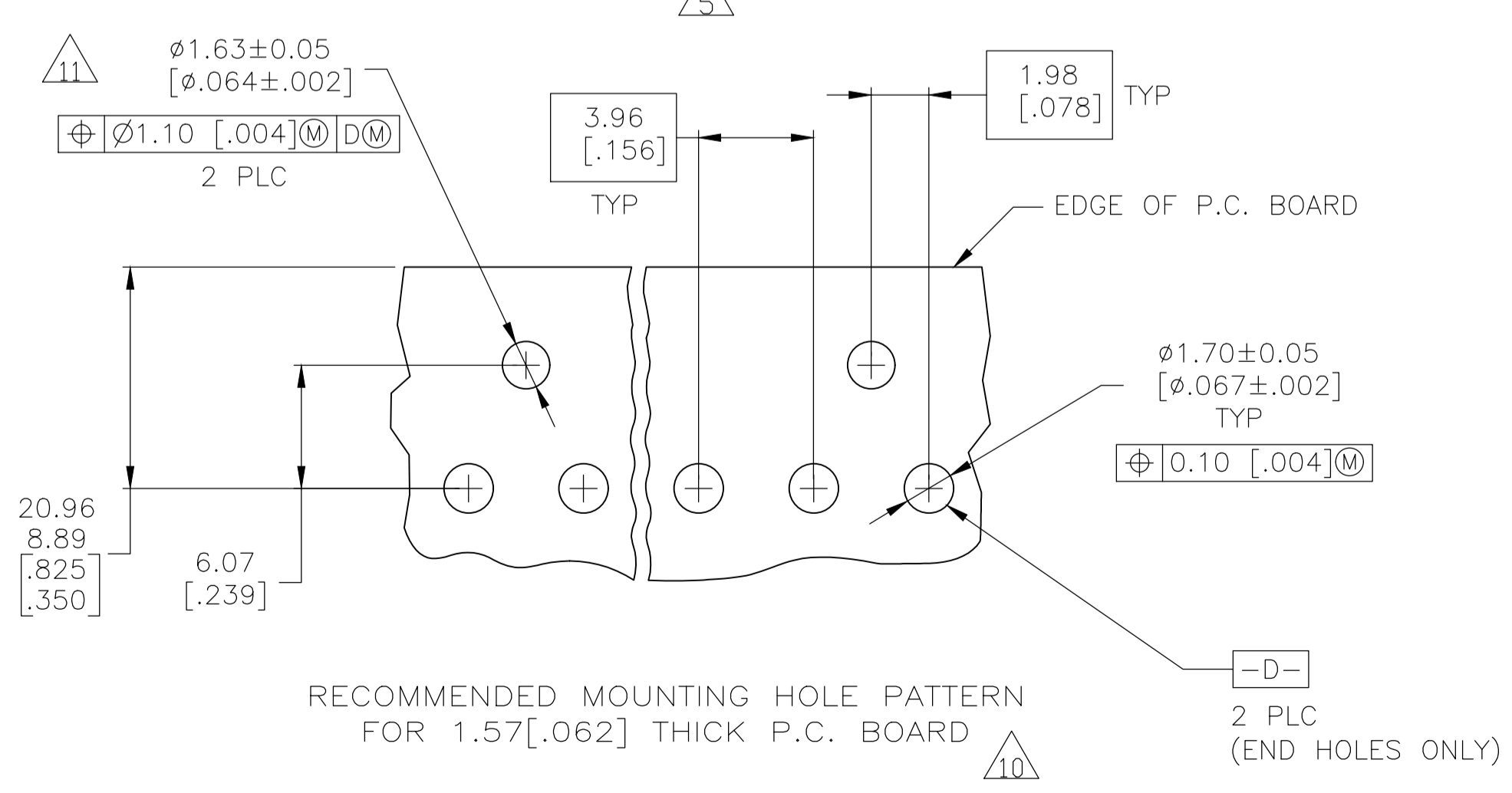
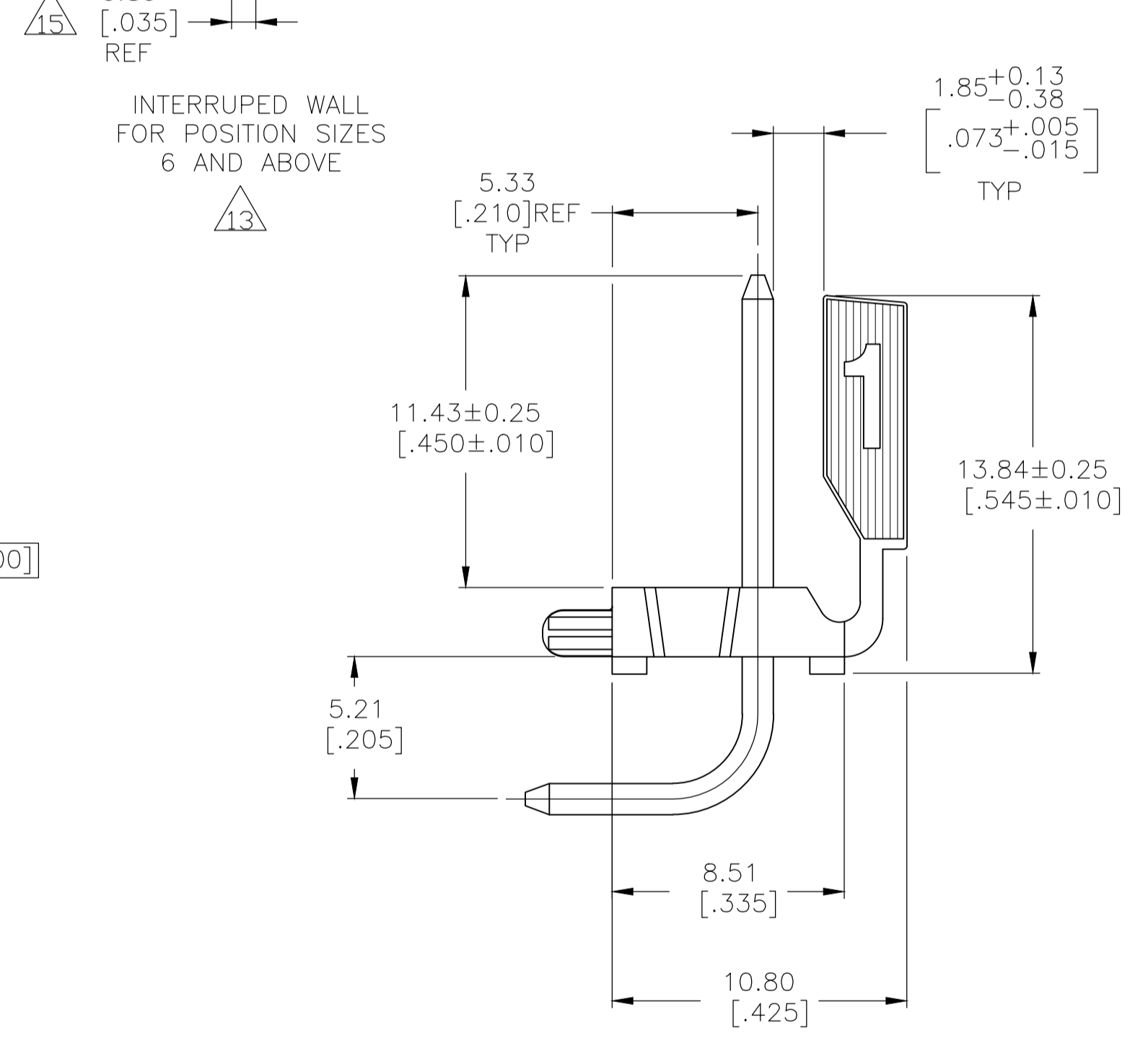
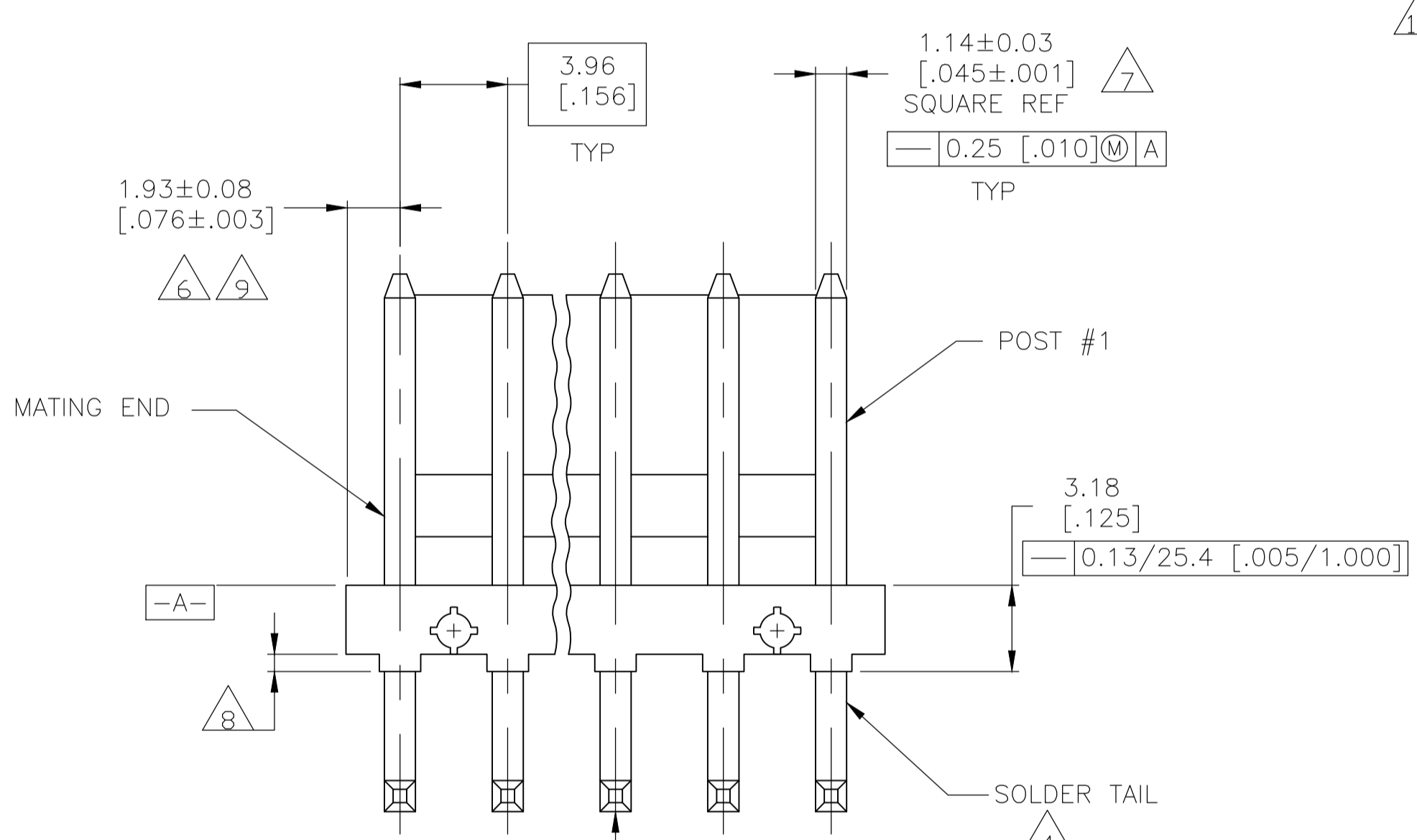
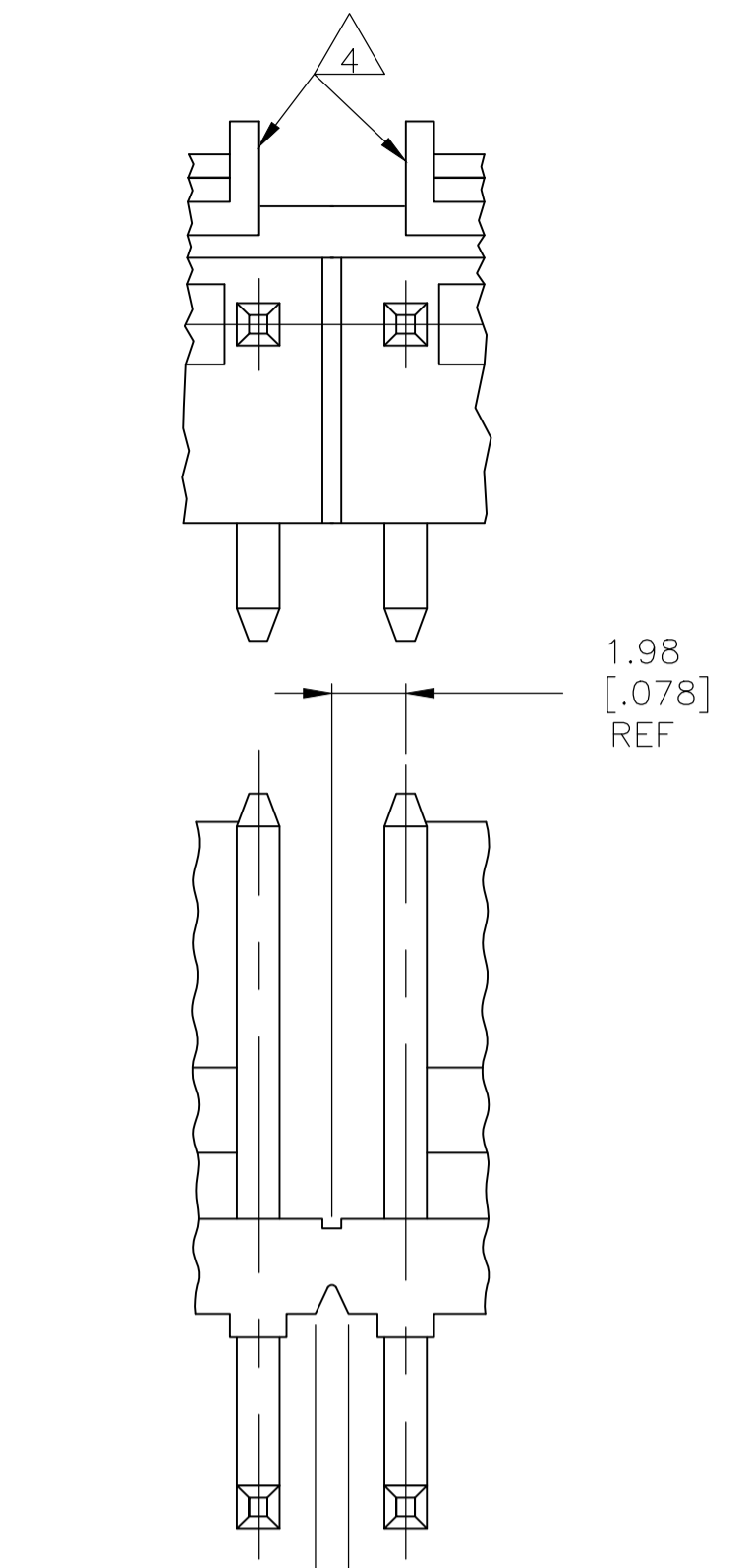
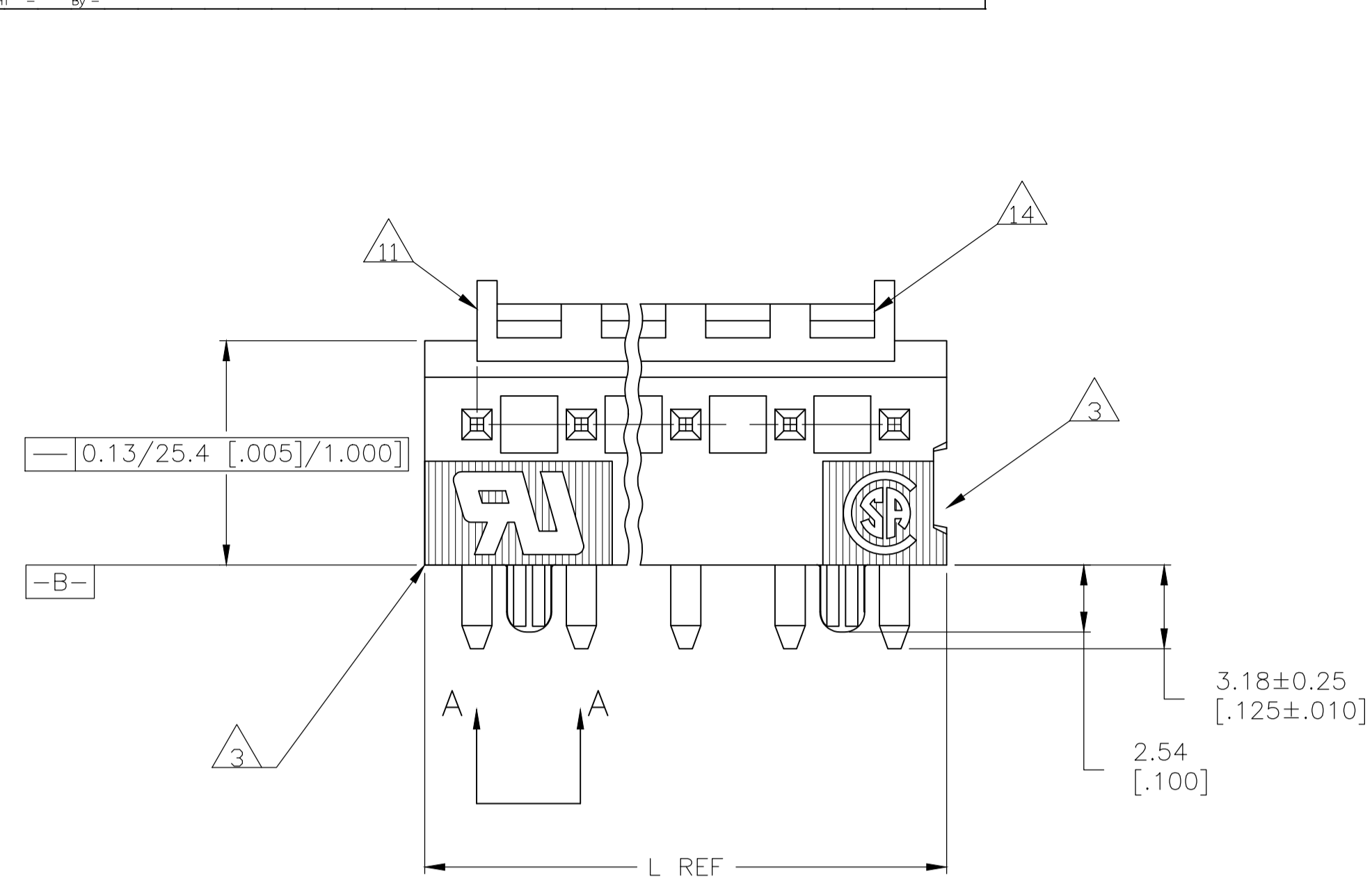


| REVISIONS | | | | |
|-----------|-----------|-----|-------|---------------------------|
| REV | DATE | BY | APP'D | DESCRIPTION |
| K1 | 23JUL2019 | BDA | SW | REVISED PER ECR-19-011103 |



- 1 MATERIAL
HOUSING: THERMOPLASTIC POLYESTER, GLASS FILLED, UL94V-0.
POST: COPPER ALLOY
- 2 FINISH
HOUSING: NATURAL
POST: BRIGHT TIN-LEAD (93/7) PLATE, 0.00380-0.00880 [.000150-.000350] THK OVER NICKEL UNDERPLATE, 0.00130 [.000050] MIN THK.
- 3 UL MARKING MAY NOT APPEAR ON THE 2 OR 3 POSITION SIZES.
CSA MARKING MAY NOT APPEAR ON THE 2 POSITION SIZE.
- 4 POST SOLDER TAILS COMPLY WITH AMP SOLDERABILITY SPEC 109-11-2.
- 5 POST WITHSTANDS 13.34N [3 LB] MIN AXIAL FORCE IN EITHER DIRECTION WITHOUT DISLODGING.
- 6 APPLIES AT -A-.
- 7 APPLIES WHEN THE HEADER IS STRAIGHT.
- 8 PLASTIC PROJECTIONS PERMITTED IN THIS ZONE.
- 9 COORDINATE DIMENSIONS APPLIES FROM THE CENTER OF THE ACTUAL FEATURE.
- 10 SOLDER SIDE OF BOARD IS SHOWN.
- 11 THE RETENTION TABS PROVIDE A ONE-TIME INTERFERENCE FIT IN THE 1.63 [.064] DIAMETER BOARD HOLE FOR HEADER ASSEMBLY RETENTION DURING SOLDERING. FOUR TABS PER PEG, TWO PEGS PER HEADER ASSEMBLY (ONE PEG ONLY FOR 2 POSITION SIZE).
- 12 DIMENSIONS IN BRACKETS ARE IN INCHES.
- 13 ALL POSITION SIZES HAVE THE BACKWALL NOTCHED ON BOTH ENDS AS SHOWN. THE 2 THRU 5 POSITION SIZES HAVE SOLID BACKWALLS. POSITION SIZES 6 AND ABOVE HAVE AN INTERRUPTED BACKWALL AT VARIOUS LOCATIONS (SEE TABLE FOR INTERRUPTION(S) LOCATIONS).
- 14 EDGE OF POLARIZING LOCK WALL TO BE IN LINE WITH CENTERLINE OF ADJACENT POST WITHIN ±0.13 [.005]
- 15 NOTCH SHOWN MAY OR MAY NOT APPEAR.
- 16 FINISH
HOUSING: NATURAL
POST: MATTE TIN PLATE, .000150" MIN THICK OVER NICKEL.
- 17 OBSOLETE PART NUMBER

| FINISH | BACKWALL INTERRUPTION(S) BETWEEN POST | L | NO. OF POSITIONS | PART NO. |
|--------|---------------------------------------|---------------|------------------|------------|
| 15 | 4&5, 7&8, 11&12, 14&15 | 71.20 [2.803] | 18 | 4-644617-8 |
| 15 | 4&5, 7&8, 10&11, 13&14 | 67.23 [2.647] | 17 | 4-644617-7 |
| 15 | 4&5, 8&9, 12&13 | 63.27 [2.491] | 16 | 4-644617-6 |
| 15 | 4&5, 8&9, 11&12 | 59.31 [2.335] | 15 | 4-644617-5 |
| 15 | 4&5, 7&8, 10&11 | 55.35 [2.179] | 14 | 4-644617-4 |
| 15 | 4&5, 7&8, 10&11 | 51.38 [2.023] | 13 | 4-644617-3 |
| 15 | 4&5, 8&9 | 47.42 [1.867] | 12 | 4-644617-2 |
| 15 | 4&5, 7&8 | 43.46 [1.711] | 11 | 4-644617-1 |
| 15 | 3&4, 7&8 | 39.50 [1.555] | 10 | 4-644617-0 |
| 15 | 3&4, 6&7 | 35.53 [1.399] | 9 | 3-644617-9 |
| 15 | 4&5 | 31.57 [1.243] | 8 | 3-644617-8 |
| 15 | 4&5 | 27.61 [1.087] | 7 | 3-644617-7 |
| 15 | 3&4 | 23.65 [.931] | 6 | 3-644617-6 |
| 15 | NONE | 19.69 [.775] | 5 | 3-644617-5 |
| 15 | NONE | 15.72 [.619] | 4 | 3-644617-4 |
| 15 | NONE | 11.76 [.463] | 3 | 3-644617-3 |
| 15 | NONE | 7.80 [.307] | 2 | 3-644617-2 |
| 2 | 4&5, 7&8, 11&12, 14&15 | 71.20 [2.803] | 18 | 1-644617-8 |
| 2 | 4&5, 7&8, 10&11, 13&14 | 67.23 [2.647] | 17 | 1-644617-7 |
| 2 | 4&5, 8&9, 12&13 | 63.27 [2.491] | 16 | 1-644617-6 |
| 2 | 4&5, 8&9, 11&12 | 59.31 [2.335] | 15 | 1-644617-5 |
| 2 | 4&5, 7&8, 10&11 | 55.35 [2.179] | 14 | 1-644617-4 |
| 2 | 4&5, 7&8, 10&11 | 51.38 [2.023] | 13 | 1-644617-3 |
| 2 | 4&5, 8&9 | 47.42 [1.867] | 12 | 1-644617-2 |
| 2 | 4&5, 7&8 | 43.46 [1.711] | 11 | 1-644617-1 |
| 2 | 3&4, 7&8 | 39.50 [1.555] | 10 | 1-644617-0 |
| 2 | 3&4, 6&7 | 35.53 [1.399] | 9 | 644617-9 |
| 2 | 4&5 | 31.57 [1.243] | 8 | 644617-8 |
| 2 | 4&5 | 27.61 [1.087] | 7 | 644617-7 |
| 2 | 3&4 | 23.65 [.931] | 6 | 644617-6 |
| 2 | NONE | 19.69 [.775] | 5 | 644617-5 |
| 2 | NONE | 15.72 [.619] | 4 | 644617-4 |
| 2 | NONE | 11.76 [.463] | 3 | 644617-3 |
| 2 | NONE | 7.80 [.307] | 2 | 644617-2 |

THIS DRAWING IS A CONTROLLED DOCUMENT.

| | | | | |
|-------------------------|--|------------------------|--|--|
| DIMENSIONS: mm [INCHES] | TOLERANCES UNLESS OTHERWISE SPECIFIED: | DIN B. LEWIS 26 OCT 93 | DATE 26 OCT 93 | TE Connectivity MTA-156 HDR ASN, PLRZD LCK, RT ANGLE FRNT BND, .045 SQ PST, SN-PB PLTD, W/ RTTN PGS |
| 0 PLC ± - | 1 PLC ± - | CHK R. SWING 26 OCT 93 | NAME D. CLARK 03 NOV 93 | |
| 2 PLC ± - | 3 PLC ± - | APPROV D. CLARK | APPLICATION SPEC | |
| 4 PLC ± - | ANGLES ± - | APPLIC. SPEC | SIZE CASE CODE DRAWING NO. RESTRICTED TO | |
| MATERIAL 1 | FINISH 2 16 | WEIGHT 0.000000 | A1 00779 | SCALE 5:1 SHEET 1 OF 1 REV K1 |

CUSTOMER DRAWING