

# Slide Potentiometer

## Model PSxxG



### Features:

- With/without dust cover
- Stable sliding force
- 200,000 cycle life
- Metal lever
- RoHS compliant

## Model Styles Available

|                         |       |
|-------------------------|-------|
| Dual Gang , 45mm Travel | PS45G |
| Dual Gang , 60mm Travel | PS60G |

## Electrical

|                                |   |
|--------------------------------|---|
| Resistance Range, Ohms         | 10K -1M   |
| Standard Resistance Tolerance  | ± 20%   |
| Resistance Tapers              | A,B,C   |
| Residual Resistance            | Less than 1.0 ohms  |
| Input Voltage, Maximum         | 300Vdc  |
| Power rating, Watts            | <b>Linear B taper:</b> 0.25W<br><b>Other tapers:</b> 0.125W |
| Dielectric Strength            | 300Vac, 1 minute  |
| Insulation Resistance, Minimum | 10M ohms at 250Vdc/ 1 minute                                |
| Sliding Noise                  | Less than 100mV   |
| Gang Error                     | ±3dB (-40dB to 0dB)   |

## Mechanical

|                               |           |
|-------------------------------|-----------|
| Static Stop Strength, Minimum | 5.0 Kg/cm |
| Operating Force               | 50gf max. |

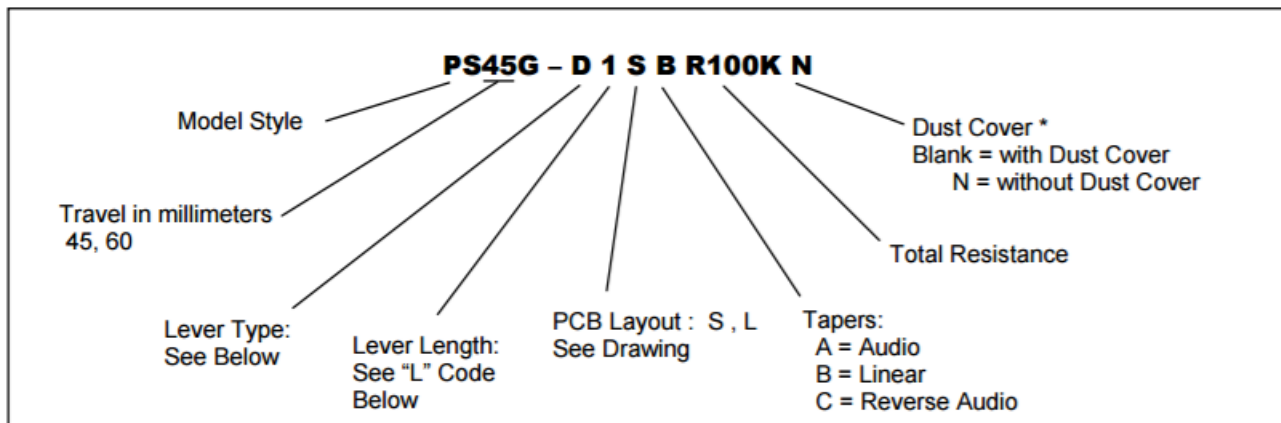
## Durability

|              |                |
|--------------|----------------|
| Sliding Life | 200,000 cycles |
|--------------|----------------|

### General Note

TT Electronics reserves the right to make changes in product specification without notice or liability. All information is subject to TT Electronics' own data and is considered accurate at time of going to print.

### Ordering



### Standard Resistance Values, ohms

|     |     |     |      |      |      |       |
|-----|-----|-----|------|------|------|-------|
| 10K | 20K | 50K | 100K | 200K | 500K | 1 MEG |
|-----|-----|-----|------|------|------|-------|

### Lever Types & Length

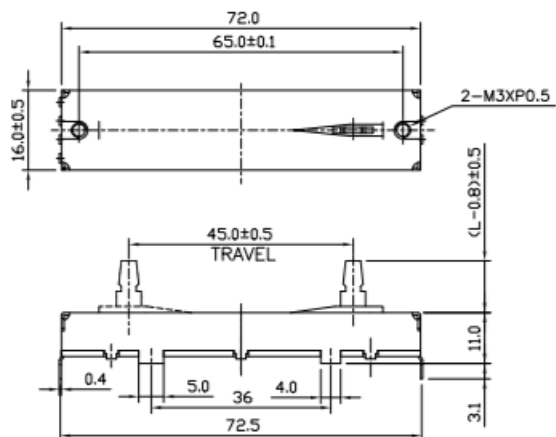
| D-Type |            | B-Type |         | C-Type |    | A-Type |       |
|--------|------------|--------|---------|--------|----|--------|-------|
|        |            |        |         |        |    |        |       |
| L      | 12.5 15 20 | L      | 8 13 20 | F      | 10 | M      | 11 12 |
| CODE   | 1 2 4      | CODE   | 1 3 4   | L      | 15 | F      | 11 10 |
|        |            |        |         | CODE   | 1  | L      | 16 20 |
|        |            |        |         |        |    | CODE   | 1 2   |

**\* Dust Cover option not offered for levers less than 10 mm in length**

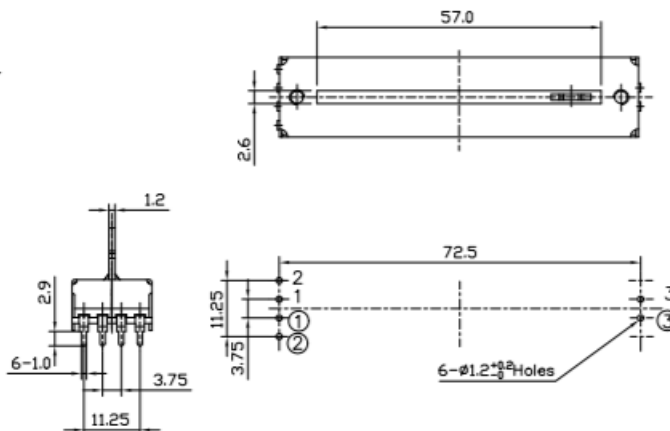
### Outline Drawings

#### PS45G with L type PCB LAYOUT

With Dust Cover

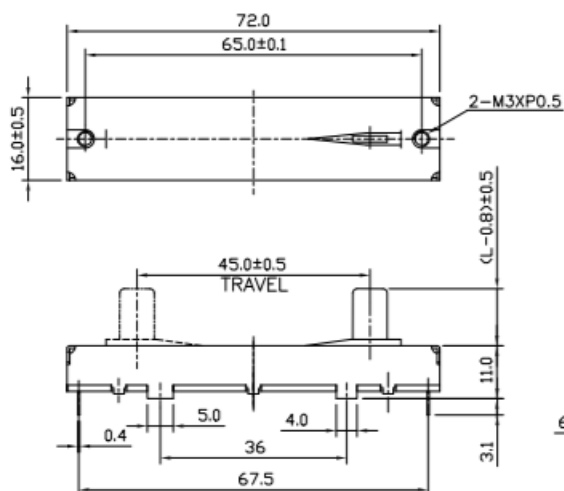


Without Dust Cover

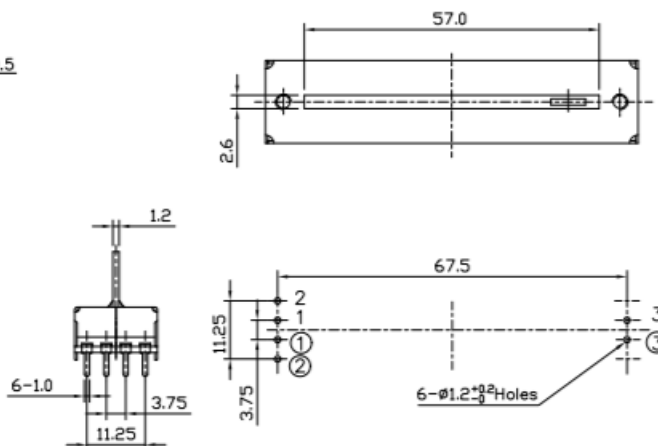


#### PS45G with S type PCS LAYOUT

With Dust Cover



Without Dust Cover



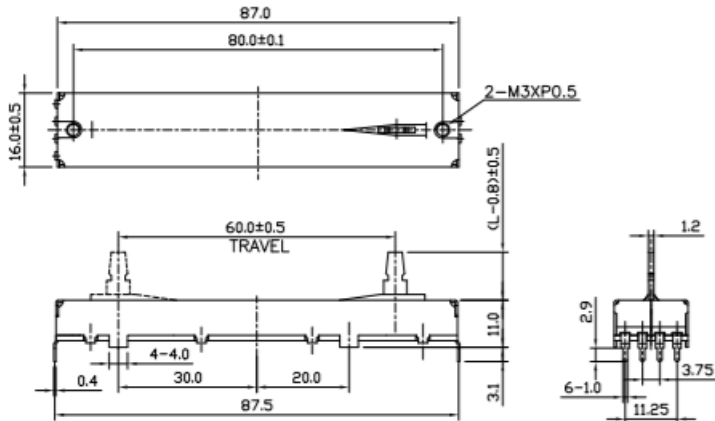
General Note  
 TT Electronics reserves the right to make changes in product specification without notice or liability. All information is subject to TT Electronics' own data and is considered accurate at time of going to print.

TT Electronics | BI Technologies  
 Circulo de la Amistad #102 PIMSA IV Mexicali B.C. Mexico C.P 21210  
 Ph: +1 714 447 2345  
[www.ttelectronics.com/bi-technologies](http://www.ttelectronics.com/bi-technologies)

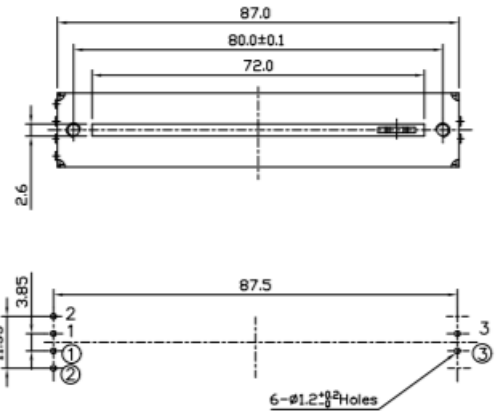
### Outline Drawings

#### PS60G with L type PCB LAYOUT

##### With Dust Cover

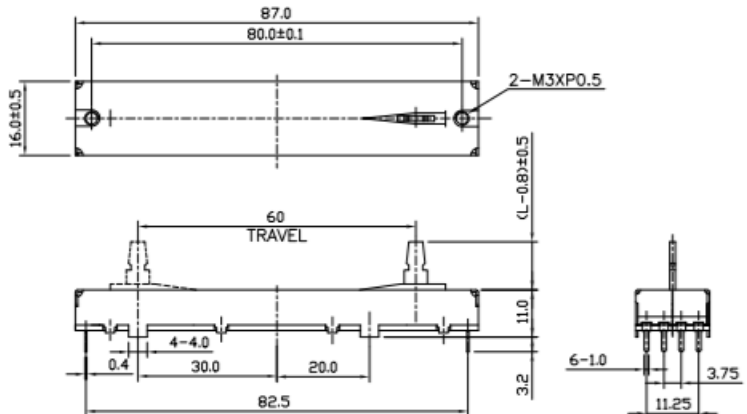


##### Without Dust Cover

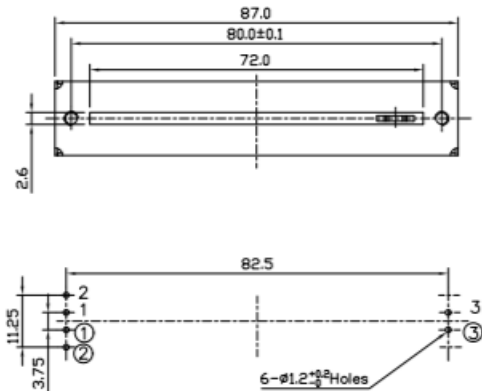


#### PS60G with S type PCB LAYOUT

##### With Dust Cover



##### Without Dust Cover



### Circuit Diagram

#### PSxxG Dual Gang

