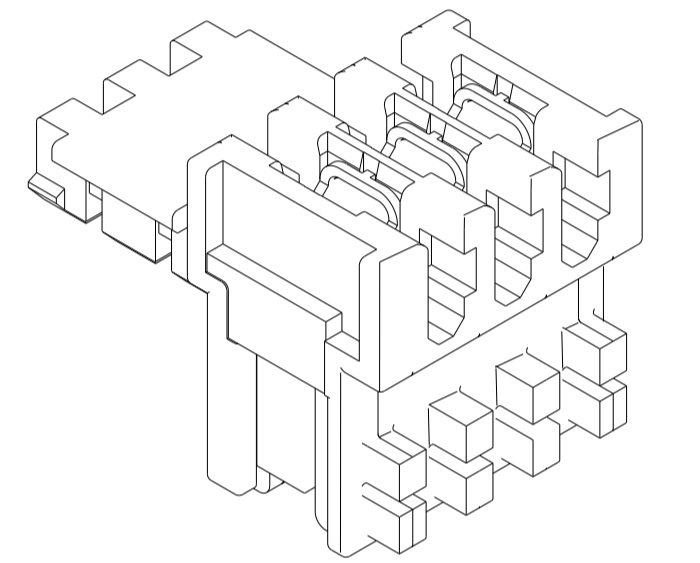
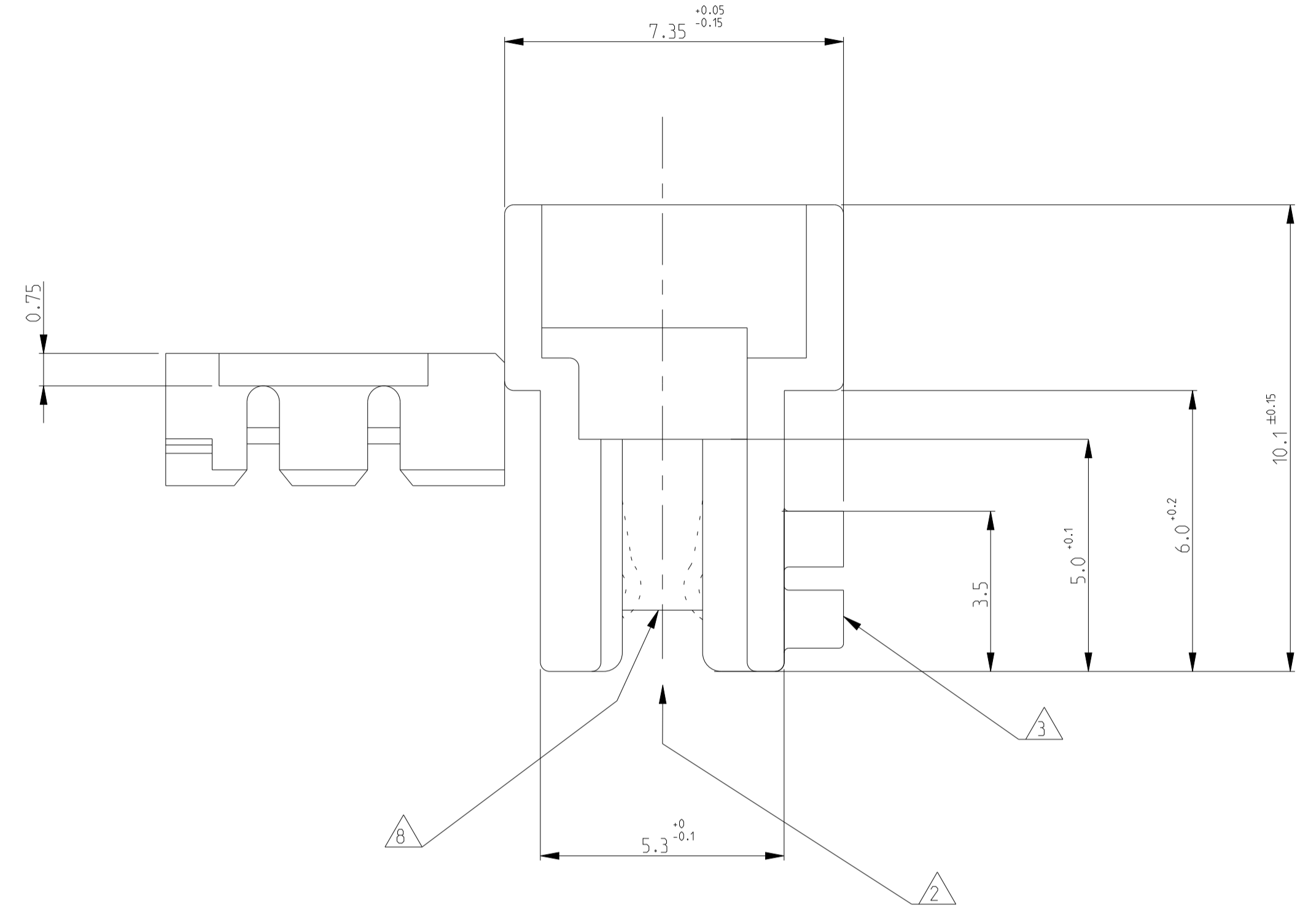
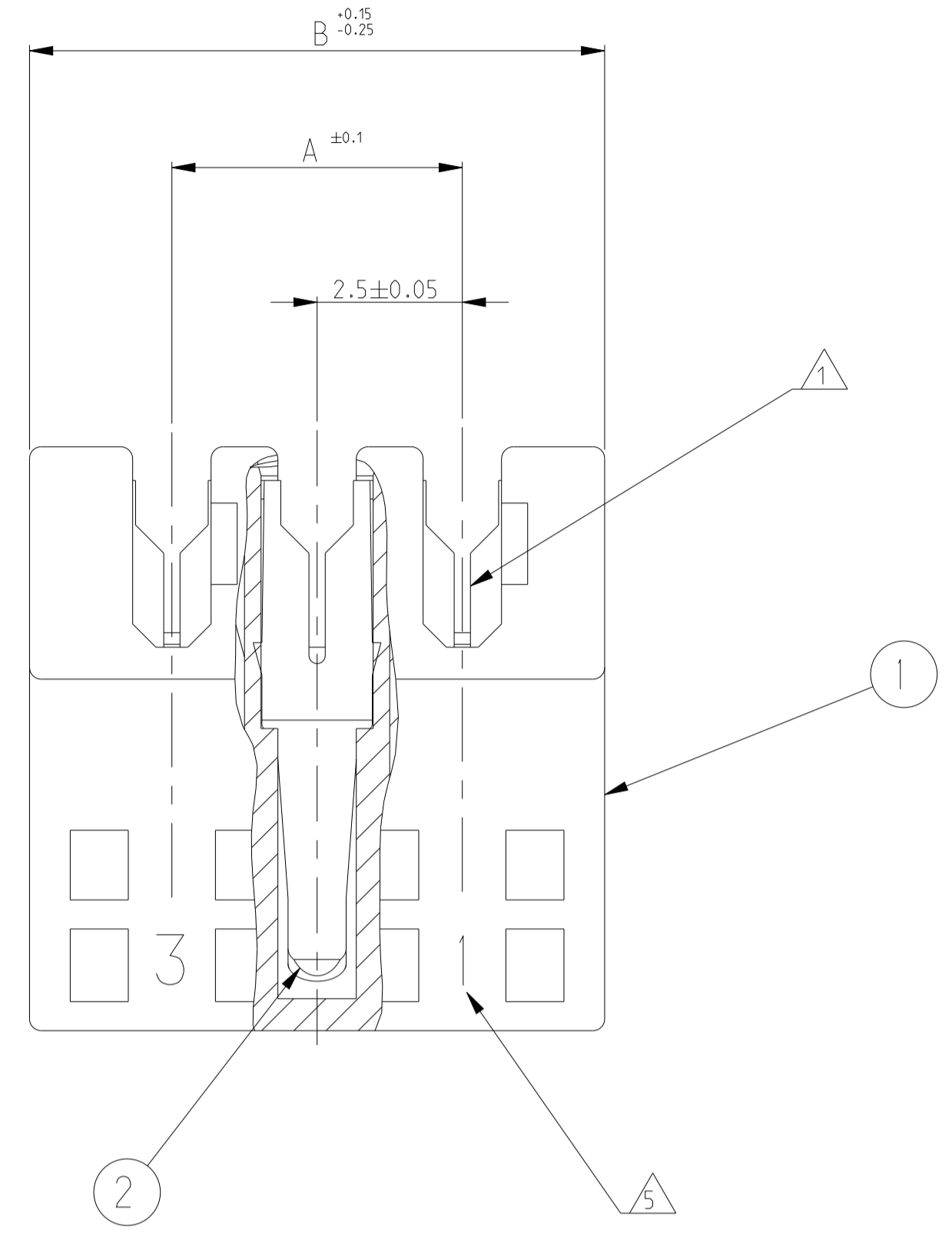
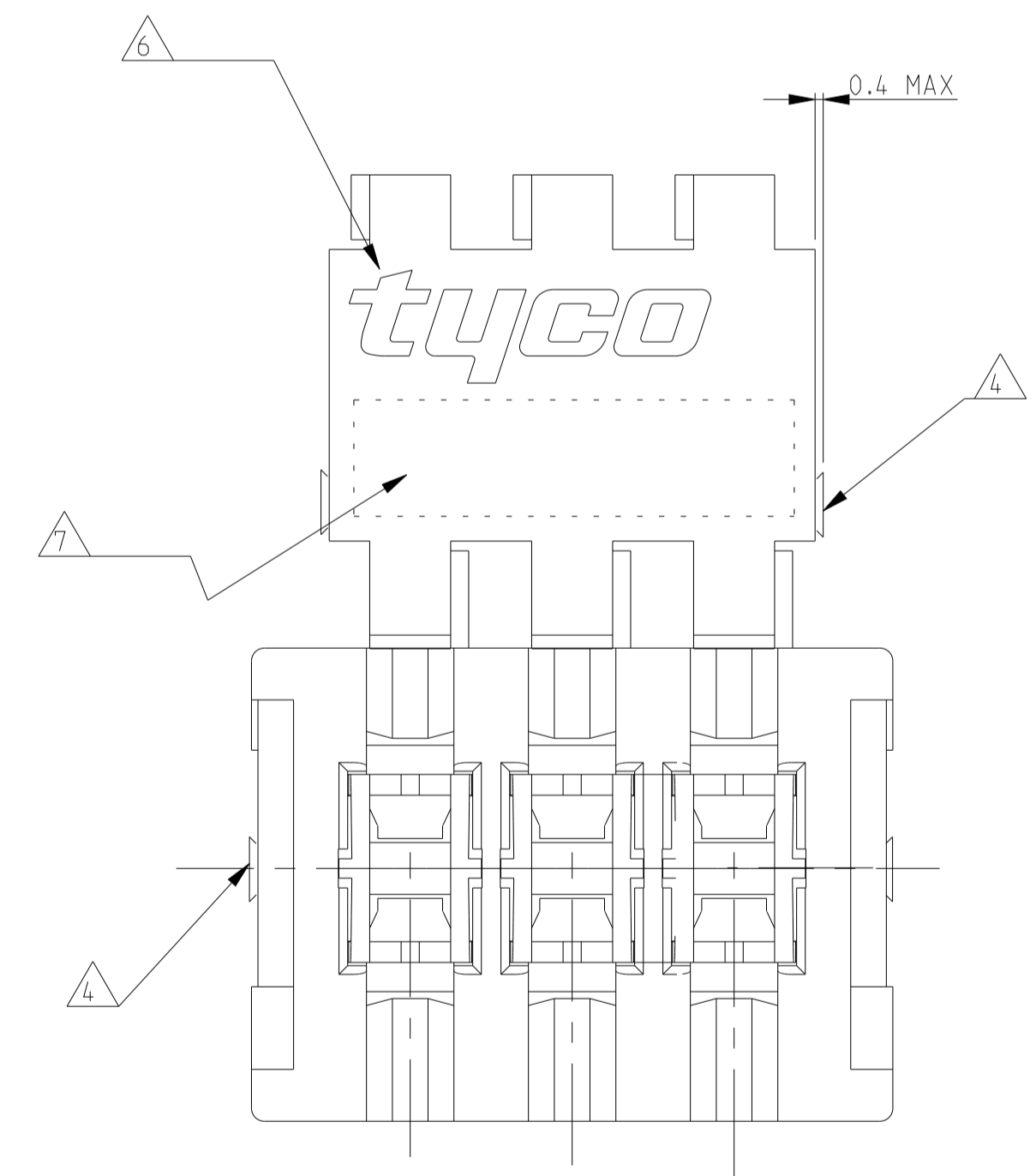


LOC		DIST		REVISIONS			
P	LTN	DESCRIPTION	DATE	DMN	APVD		
D3	ECR-22-128794		10FEB2022	DC	FL		
D4	ECR-22-130044		01MAR2022	DC	FL		
D5	ECR-22-134224		04APR2022	DC	FL		
D6	ECR-22-162225		16JAN2023	DC	FL		



SCALE 5:1
 P/N 0-284932-3 AS SHOWN



- 1 WIRE RANGE : STRANDED 0.22-0.35 mm² (INS. DIA. 1.30±0.1)
- 2 MATING PART: PCB FRAME P/N 964575 (PCB THK 1.5±0.14 COPPER CLADDING INCLUDED) SEE PRODUCT SPEC. 108-18056 FOR FRAME APPLICATION
- 3 KEYING RIBS TO BE REMOVED BY TERMINATION MACHINE
- 4 CUT OFF DIMENSION DUE TO PRODUCTION PROCESS
- 5 CIRCUIT No. IDENTIFICATION
- 6 TE TRADEMARK (OPTIONAL POSITION)
- 7 TAMPOGRAPHIC COLOUR CODE AREA (P/Ns IDENTIFICATION BEFORE CRIMPING)
- 8 POLARIZATION RIB BETWEEN CAVITIES. (SEE SHEET 2 TYPICAL POLARIZATION CUTOFF ON PCB)
- 9 PRELIMINARY PART NOT RELEASED FOR PRODUCTION.
- 10 X - CAVITY LOADED WITH CONTACT
 O - CAVITY WITHOUT CONTACT
- 11 PBT GF
- 12 PA GF. UL94-V0 & GWEPT 750 NO-FLAME. NATURAL
- 13 POLARIZATION RIB IN CAVITY 1. (SEE SHEET 2 TYPICAL POLARIZATION CUTOFF ON PCB)
- 14 POLARIZATION RIB IN LAST CAVITY. (SEE SHEET 2 TYPICAL POLARIZATION CUTOFF ON PCB)
- 15 ALTERNATIVE RESIN PBT GF

16 PART RELEASED WITHOUT EXTENSIVE TERMINATION TESTS

-				THIS DRAWING IS A CONTROLLED DOCUMENT.		DMN R. FABRIS 27FEB2004		TE Connectivity	
SEE TABLE				DIMENSIONS: mm		TOLERANCES UNLESS OTHERWISE SPECIFIED:			
PH. BRONZE, TIN PLATED				IDC RECEPTACLE CONTACT		2		APVD G. TURCO 27FEB2004	
PBT GLASS FIBER FILLED				FEMALE HOUSING		1		NAME	
MATERIAL				DESCRIPTION		ITEM		DUOPLUG 2.5 FEMALE CONNECTOR STANDARD VERSION, KEYED (FULLY LOADED)	
1				REVISIONE DELL'ASSEMBLATO (REVISION OF EACH ASSY NO)				SIZE CAGE CODE DRAWING NO	
0.1A PER ASSEMBLATO (0.1A PER ASSY)				ELENCO DEI COMPONENTI (PARTS LIST)				RESTRICTED TO	
				MATERIAL SEE TABLE				116-18049-1	
								WEIGHT	
								CUSTOMER DRAWING	
								SCALE 10:1 SHEET 1 OF 2 REV D6	

