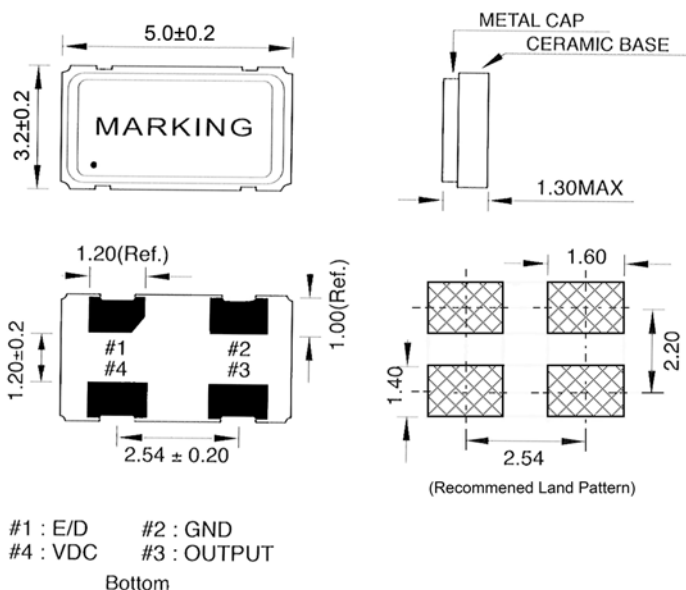


● SPECIFICATION

Model	OSC-S5 Series				
Power supply voltage	5V DC $\pm 10\%$	5V DC $\pm 10\%$	3.3V DC $\pm 10\%$	2.5V DC $\pm 5\%$	1.8V DC $\pm 5\%$
Output level	TTL	C-MOS			
Frequency range	0.500 ~ 100.000 MHz		0.500 ~ 156.000 MHz		
Storage temperature range	- 55°C ~ +125°C				
Operating temperature range	-10°C ~ +70°C , -40°C ~ +85°C				
Frequency stability	$\pm 20\text{ppm} \sim \pm 100\text{ppm}$				
Current consumption	0.500~9.999MHz:15mA max.	0.500~9.999MHz:10mA max.	0.500~19.999MHz:7mA max.	0.500~9.999MHz:6mA max.	0.500~9.999MHz:5mA max.
	10.000~19.999MHz:20mA max.	10.000~19.999MHz:15mA max.		10.000~31.999MHz:8mA max.	10.000~31.999MHz:6mA max.
	20.000~31.999MHz:30mA max.	20.000~31.999MHz:25mA max.	20.000~31.999MHz:12mA max.		
	32.000~49.999MHz:40mA max.	32.000~49.999MHz:35mA max.	32.000~49.999MHz:20mA max.	32.000~79.999MHz:20mA max.	32.000~79.999MHz:15mA max.
	50.000~79.999MHz:50mA max.	50.000~79.999MHz:50mA max.	50.000~79.999MHz:25mA max.		
	80.000~99.999MHz:60mA max.	80.000~99.999MHz:60mA max.	80.000~99.999MHz:30mA max.	80.000~99.999MHz:25mA max.	80.000~99.999MHz:20mA max.
	100.000MHz:80mA max.	100.000MHz:80mA max.	100.000~156.000MHz:40mA max.	100.000~156.000MHz:30mA max.	100.000~156.000MHz:25mA max.
Load	10 TTL	15pF or 50pF			
Output voltage level	V _{OL} :10%V _{DD} max. / V _{OH} :90%V _{DD} min.				
Duty cycle	40%~60% (at 1.4V DC)		40%~60% at 1/2V _{DD}		
RISE / FALL TIME	0.500~31.999MHz:10nS max.	0.500~31.999MHz:10nS max.	0.500~49.999MHz:10nS max.	0.500~49.999MHz:5nS max.	0.500~49.999MHz:5nS max.
	32.000~99.999MHz:5nS max.	32.000~49.999MHz:6nS max.		50.000~79.999MHz:8nS max.	50.000~79.999MHz:4nS max.
		50.000~99.999MHz:5nS max.	80.000~99.999MHz:5nS max.		
	100.000MHz:4nS max.	100.000MHz:4nS max.	100.000~156.000MHz:4nS max.	80.000~156.000MHz:3nS max.	80.000~156.000MHz:3nS max.
AGING	$\pm 3\text{ppm/Year}$				

● DIMENSION (mm)



● OUTPUT WAVEFORM

● TEST CIRCUIT

