

CTSPI2D18F Series

From 1.0 μ H to 470 μ H



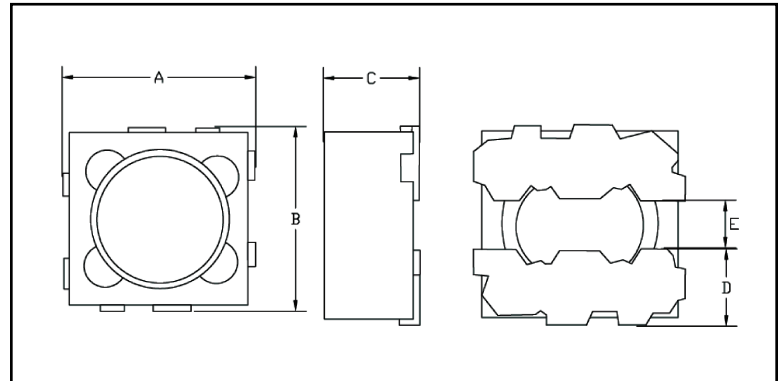
SPECIFICATIONS

Please specify tolerance code when ordering.
CTSPI2D18F-1R0 ← M = $\pm 20\%$, N = $\pm 30\%$

Part Number	Inductance (μ H)	Tolerance ($\pm\%$)	DCR Typ. (Ω)	IDC Typ. (mA)	I _{rms} Typ. (mA)	Color Coding
CTSPI2D18F-1R0	1.0	20, 30	0.038	960	1800	Green
CTSPI2D18F-1R2	1.2	20, 30	0.041	940	1760	Blue
CTSPI2D18F-1R5	1.5	20, 30	0.048	900	1700	Violet
CTSPI2D18F-1R8	1.8	20, 30	0.052	840	1680	Gray
CTSPI2D18F-2R2	2.2	20, 30	0.055	840	1640	White
CTSPI2D18F-2R7	2.7	20, 30	0.060	680	1460	Green
CTSPI2D18F-3R3	3.3	20, 30	0.078	600	1400	Blue
CTSPI2D18F-3R9	3.9	20, 30	0.090	580	1220	Violet
CTSPI2D18F-4R7	4.7	20, 30	0.099	540	1200	Gray
CTSPI2D18F-5R6	5.6	20, 30	0.110	500	1120	White
CTSPI2D18F-6R8	6.8	20, 30	0.120	480	1060	Green
CTSPI2D18F-8R2	8.2	20, 30	0.168	400	900	Blue
CTSPI2D18F-100M	10	20	0.190	360	880	Violet
CTSPI2D18F-120M	12	20	0.222	320	800	Gray
CTSPI2D18F-150M	15	20	0.285	300	720	White
CTSPI2D18F-180M	18	20	0.350	280	660	Green
CTSPI2D18F-220M	22	20	0.440	240	500	Blue
CTSPI2D18F-270M	27	20	0.490	220	420	Violet
CTSPI2D18F-330M	33	20	0.780	200	380	Gray
CTSPI2D18F-470M	47	20	0.880	170	300	Back
CTSPI2D18F-471	470	20, 30	12.20	50	120	Gray

PHYSICAL DIMENSIONS

Size	A	B	C Max.	D	E
mm	3.2 \pm 0.2	3.2 \pm 0.2	1.80	1.1	0.8
inches	0.126 \pm 0.008	0.126 \pm 0.008	0.071	0.043	0.031



CHARACTERISTICS

Description: SMD Shielded Power Inductors (low profile)

Applications: Cellular phones, PDAs, DVC, DSC, digital cameras, and hard disk drives

Operating Temperature: -40°C to +105°C

Testing: Inductance is tested on an HP4284A at 1KHz/1.0V

IDC: For inductance 10% or 35% from its value without current

I_{rms}: For a 25°C or 40°C rise above 25°C ambient

Packaging: Tape & Reel.

Additional Information: Additional electrical & physical information available upon request.

Samples available. See website for ordering information.

PAD LAYOUT

