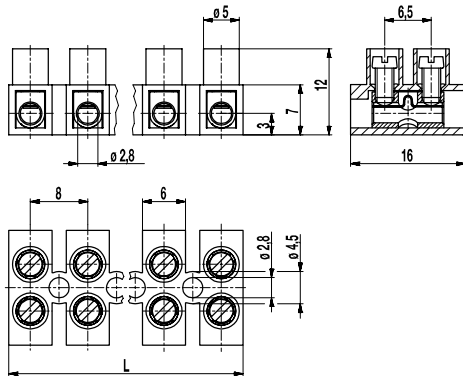
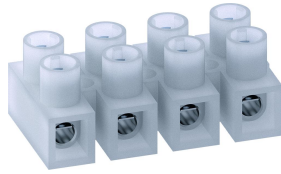


302-N(-HDS)

Socket terminal strip
Screw connection, low profile version



The socket terminal strip 302-N, low version in 8 mm pitch, is available with 1 to 12 poles.

The lower version (by 3 mm) is well suited for applications where mounting space is limited (e.g. in plastic boxes where longer clearance and creepage distances are not required).

The flexible polyamide moulding can even be mounted on curved surfaces.

The wire protector of the "HDS"-version reliably prevents damage to multi-wire flexible conductors by the turning screw.

Part Numbers

No. of poles	302-N	302-N-HDS	Length	PU
1	11.820.043	31.820.043	7,00	5000
2	12.820.043	32.820.043	15,00	2000
3	13.820.043	33.820.043	23,00	2000
4	14.820.043	34.820.043	31,00	1000
5	15.820.043	35.820.043	39,00	1000
6	16.820.043	36.820.043	47,00	100
7	17.820.043	37.820.043	55,00	70
8	18.820.043	38.820.043	63,00	70
9	19.820.043	39.820.043	71,00	60
10	20.820.043	40.820.043	79,00	50
11	21.820.043	41.820.043	87,00	50
12	22.820.043	42.820.043	94,00	50

further number of poles on request

Part Numbers: "no flame" acc. to glow-wire test

No. of poles	302-N	302-N-HDS	Length	PU
2	12.820.044.EN6	32.820.044.EN6	15,00	2000
4	14.820.044.EN6	34.820.044.EN6	31,00	1000
5	15.820.044.EN6		39,00	1000
12	22.820.044.EN6	42.820.044.EN6	94,00	50

further number of poles on request

General Information

Pitch	8 mm
No. of poles	1 - 12
Areas of application	For lighting applications and similar electrical equipment.




Technical Data

Clamping Range	<i>solid / flexible / AWG</i>		
<i>without wire protector</i>	0,5 - 4 mm ² / 0,5 - 2,5 mm ² / 20 - 12 AWG		
<i>with wire protector</i>	0,34 - 2,5 mm ² / 0,34 - 2,5 mm ² / 22 - 14 AWG		
Rated Cross Section	1,5 mm ²		
Wire Stripping Length	5 mm ± 0,5 mm		
Overvoltage Category	III	III	II
Pollution Severity Level	3	2	2
Rated Voltage	250 V	320 V	320 V
Rated Impulse Voltage	4 kV	4 kV	4 kV
Rated Insulation Voltage	250 V acc. to EN 60998-1		
Rated Current	17,5 A		
Torque	0,4 Nm		

Material

Moulding	PA, natural, V-2 (PA, white, V-0) Details in brackets for "no flame" products		
Comparative Tracking Index	CTI ≥ 600		
Insulating Group	I		
Temperature Range	-40°C up to 100°C		
Terminal Body	Nickel plated brass		
Screw	M2,6; zinc plated steel, blue passivated		
Wire protector	Stainless steel strip		

Approvals

	Current [A]	Voltage [V]	Group	AWG	[Nm]
	10	300	B,D	20 - 12	0,4
	20	300	B	26 - 12	0,4 [1]
	10	300	D,E	26 - 12	0,4 [1]
	Current [A]	Voltage [V]	[mm ²]		
	17,5	250	1,5		

[1] 302-N-HDS: 26 - 14 AWG

Options / Accessories

- Marking options on the screw guides
- Marking strips BST-302
- Jumper 302-J
- Screws made out of brass
- Up to 26 poles possible
- Socket with blind hole