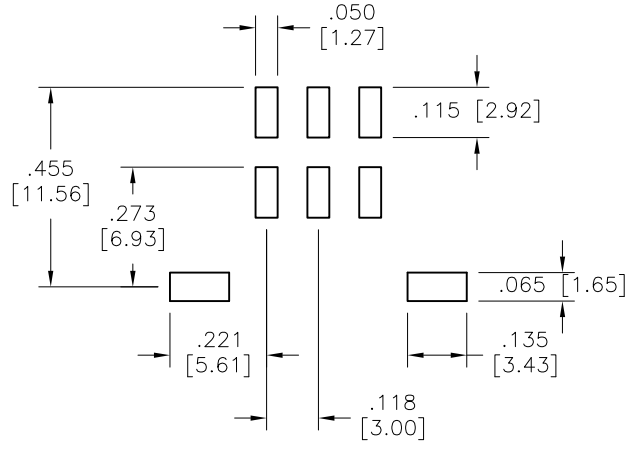
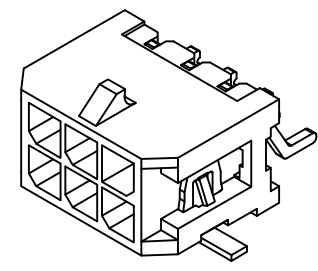
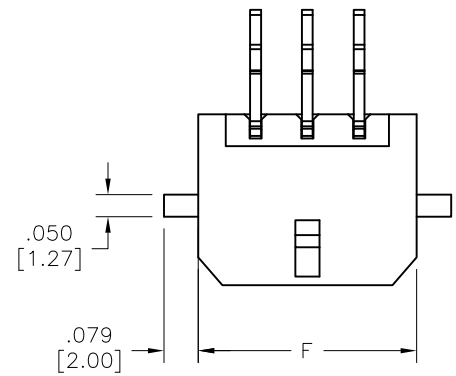


Rev	AWO #	Description	Date	Appr
-		RELEASED	6/15/12	

APPROVED: _____
DATE: _____ TITLE: _____



PCB Layout: Component side



Dimensional Information

Unit: mm

CIRCUITS	DIM. E	DIM. F	CIRCUITS	DIM. E	DIM. F
2		6.65	14	18.0	24.65
4	3.0	9.65	16	21.0	27.65
6	6.0	12.65	18	24.0	30.65
8	9.0	15.65	20	27.0	33.65
10	12.0	18.65	22	30.0	36.65
12	15.0	21.65	24	33.0	39.65

SPECIFICATIONS:

Material:
Insulator: Hi-temp thermoplastic, rated UL 94V-0
Insulator color: Black
Contacts: Brass

Plating:

Tin over Copper underplate overall

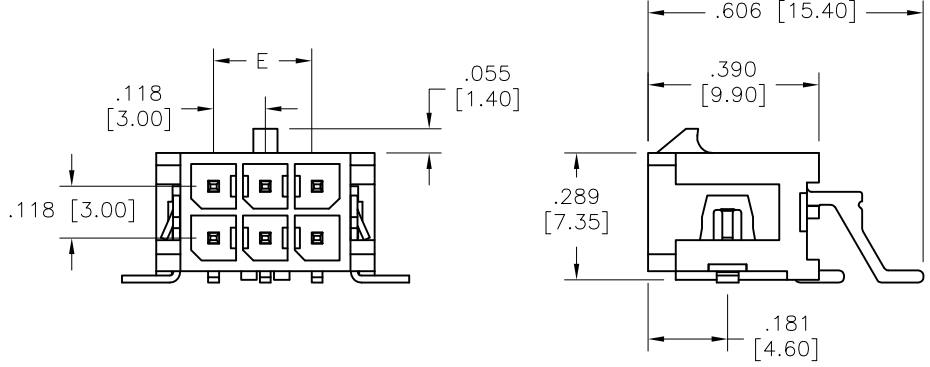
Electrical:

Operating voltage: 250V AC, DC
Current rating: 5A AC, DC
Contact resistance: 10 mohms max.
Dielectric withstanding voltage: 1500 VAC for 1 minute

Temperature Rating:

Ambient temperature: -25°C to +85°C
Environmental:

Lead free, RoHS compliant.



PACKAGED ON TAPE & REEL

UNLESS OTHERWISE SPECIFIED
ALL DIMENSIONS ARE INCHES [MM]
TOLERANCES: EXCEPT AS NOTED
INCHES HOLES
.X ±.10 Ø.X ±.10
.XX ±.020 Ø.XX ±.015
.XXX ±.015 Ø.XXX ±.010

ADAM TECH
909 Rahway Avenue, Union, NJ 07083
Phone: 908-687-5000 Fax: 908-687-5710

APPROVALS		DATE
DRAWN	AY	6/15/12
CHECKED	AH	6/15/12
APPROVED		

TITLE DUAL ROW, .118"(3.0MM) PITCH, SMT HOUSING & TERMINAL, W/ FITTING NAIL		
SIZE X	PART NO. DML-XX-A-H-T-A-TSMT-T/R	REV. -
REF: S00123T	SCALE: NTS	SHEET 1 OF 1