

NOTES.

1. 嵌合相手 : 501189****
MATE WITH : 501189****

2. ソルダーピン及びネイル平坦度は0.1MAX.
SOLDER PIN AND NAIL COPLANARITY TO BE 0.1MAX.

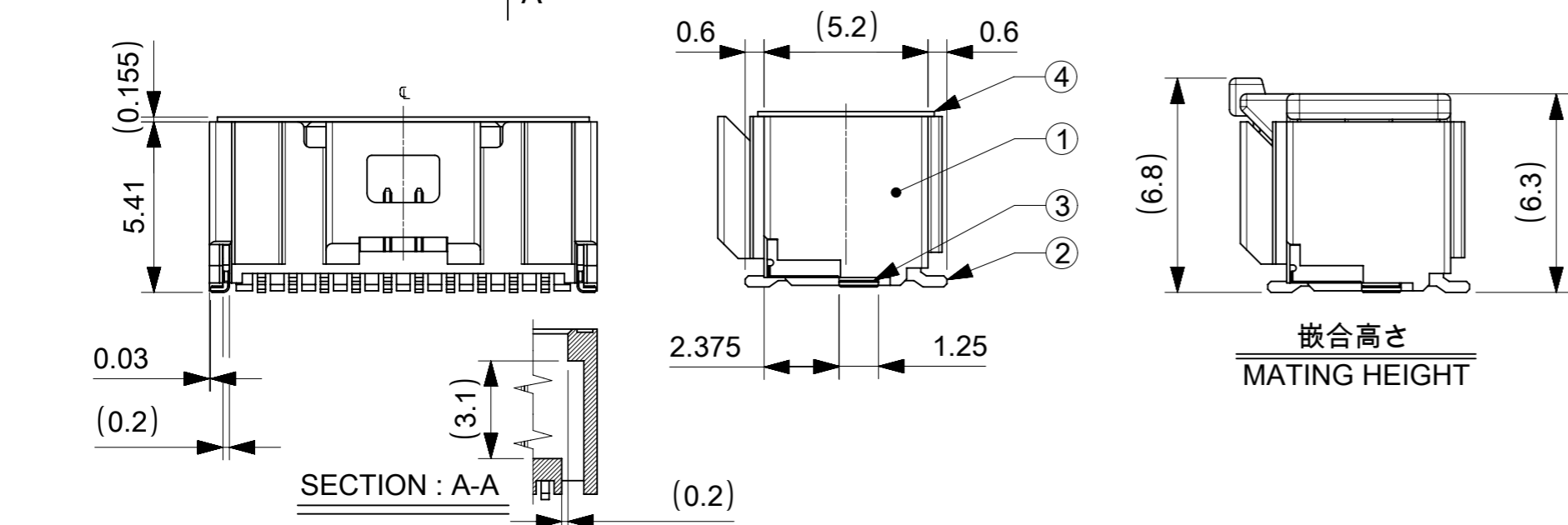
③ 極数/2 = 偶数に適用
APPLY FOR CKT SIZE/2=EVEN

④ トレードマーク : MXプラス1文字のアルファベットにて構成
TRADE MARK : FORMED BY MX AND 1 MORE LETTER OF ALPHABET.

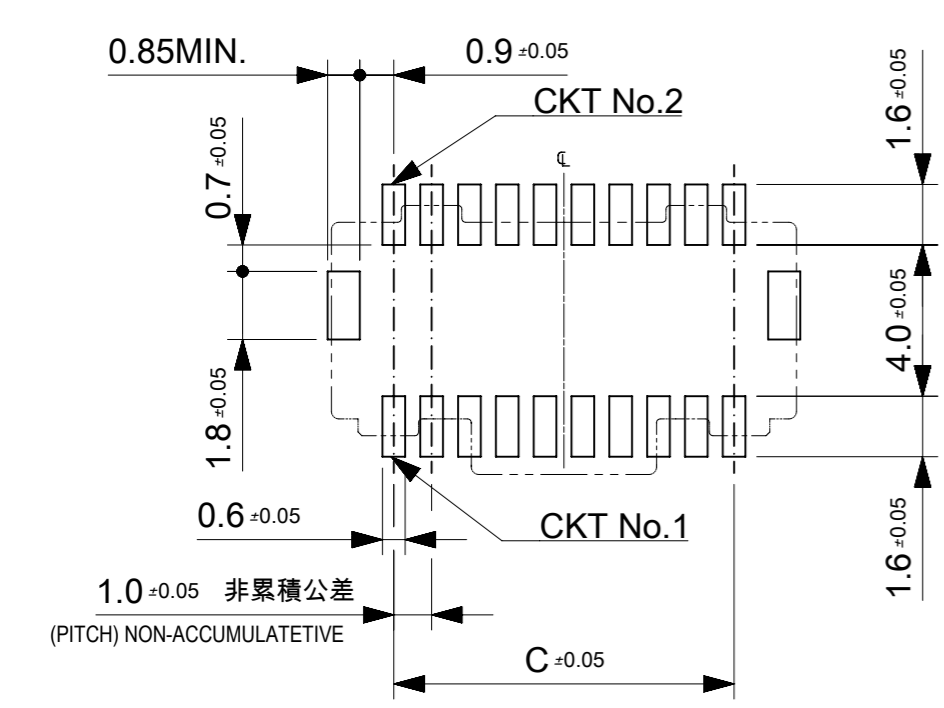
キャビティー番号 : 1桁から2桁の数字にて構成
CAVITY No. : FORMED BY 1-2 DIGIT NUMBERS.

金型番号 : アルファベット1文字にて構成
MOLD No. : FORMED BY 1 LETTER OF ALPHABET.

番号 NO.	部品 PART	材質 MATERIAL
①	ウェハー WAFER	ポリアミド、UL94V-0、色 : 自然色 POLYAMIDE, UL94V-0, COLOR : NAURAL
②	ソルダーピン SOLDER PIN	りん青銅 PHOSPHOR BRONZE 金メッキ : 0.38 MICRO METER MINIMUM. GOLD PLATING ニッケルメッキ (下地) : 1.27 MICRO METER MINIMUM. NICKEL (UNDER PLATING)
③	ネイル NAIL	りん青銅 PHOSPHOR BRONZE 錫メッキ : 1.0 MICRO METER MINIMUM. TIN PLATING ニッケルメッキ (下地) : 1.0 MICRO METER MINIMUM. NICKEL (UNDER PLATING)
④	カバーテープ COVER TAPE	ポリイミドテープ POLYIMIDE TAPE



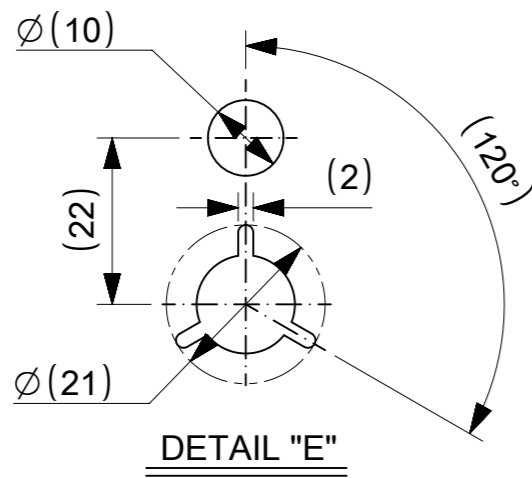
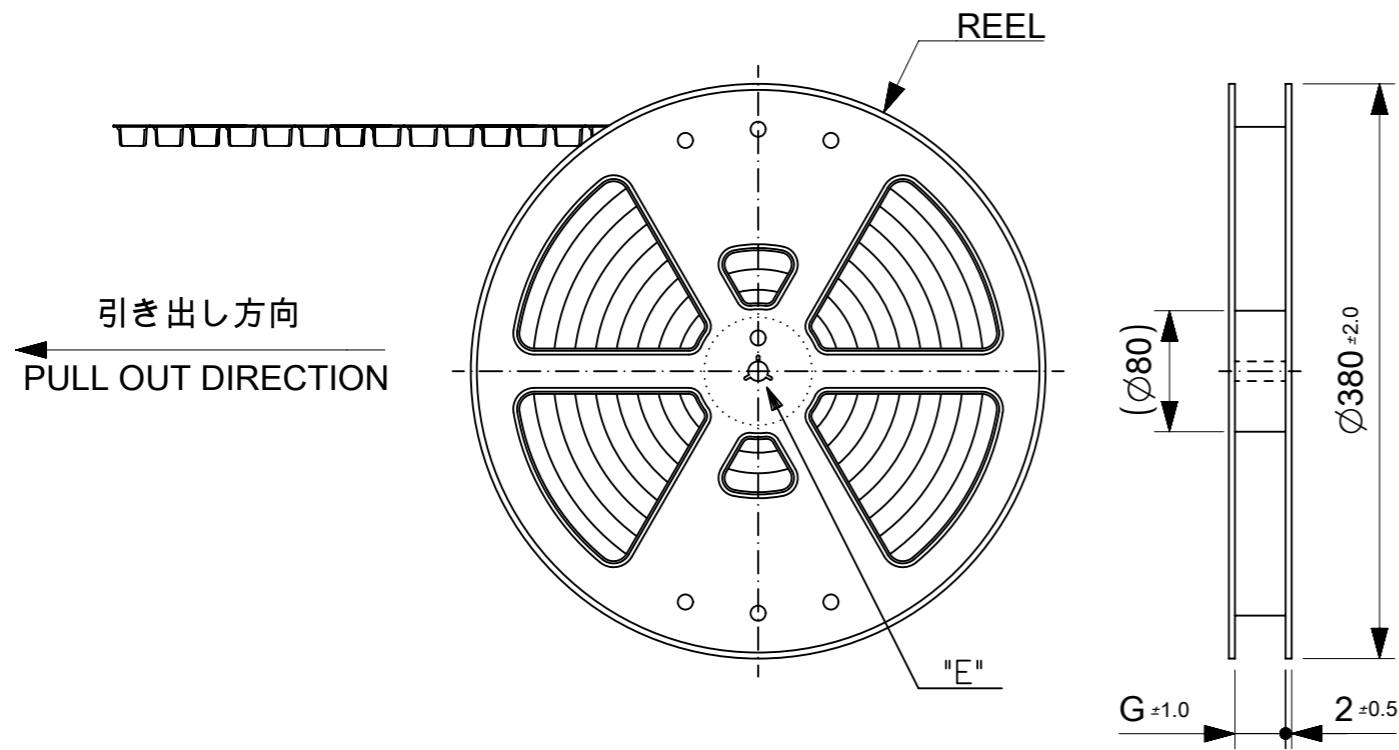
無 NO	24	27.3	2035645027	50	
	19	22.3	2035644027	40	
	14	17.3	2035643027	30	
	9	12.3	2035642027	20	
有 YES	24	26.8 27.3	2035645017	50	
	19	21.8 22.3	2035644017	40	
	14	16.8 17.3	2035643017	30	
	9	11.8 12.3	2035642017	20	
カバーテープの有無 COVER TAPE	C	B	A	EMBOSSED PACKAGE オーダー番号: ORDER No.	CKT



参考パターンレイアウト
RECOMMENDED PATTERN DIM.
(REF.)

THIS DRAWING CONTAINS INFORMATION THAT IS PROPRIETARY TO MOLEX ELECTRONIC TECHNOLOGIES, LLC AND SHOULD NOT BE USED WITHOUT WRITTEN PERMISSION

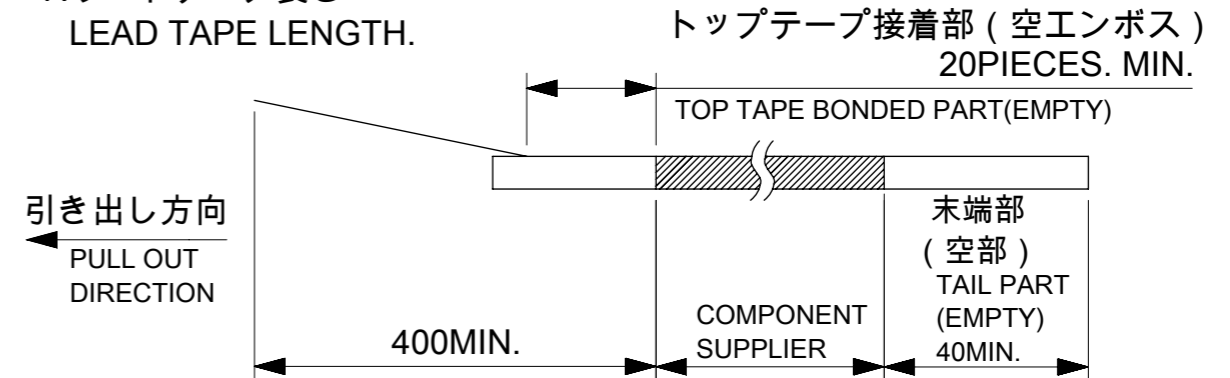
EC NO: 168346 DRWN: KYAMADA02 CHK'D: SAKIYAMA APPR: TKANEKO	2017/11/13	2017/11/30	2017/12/01	GENERAL TOLERANCES (UNLESS SPECIFIED)	DIMENSION UNITS	SCALE			
	4 PLACES	± 0.2	ANGULAR TOL ± 3.0 °		mm	5:1			
	3 PLACES	± 0.2	2 PLACES ± 0.2		DRWN BY	DATE		KYAMADA02	2017/11/13
	1 PLACE	± 0.2	0 PLACES ± 0.2		CHK'D BY	DATE		SAKIYAMA	2017/11/30
DRAFT WHERE APPLICABLE MUST REMAIN WITHIN DIMENSIONS					APPR BY	DATE	PRODUCT CUSTOMER DRAWING		
A3		THIRD ANGLE PROJECTION			TKANEKO	2017/12/01	SERIES		
							MATERIAL NUMBER		
							CUSTOMER		
							203564		
							SEE CHART		
							GENERAL		
							DOCUMENT NUMBER		
							2035642017-SD		
							DOC TYPE		
							PSD		
							DOC PART		
							000		
							SHEET NUMBER		
							1 OF 3		



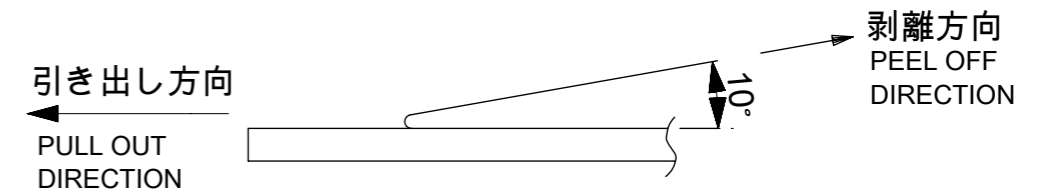
NOTES.

6.梱包数量：1,100個/リール
 NUMBER OF CONNECTORS : 1,100PIECES/REEL

7.リードテープ長さ
 LEAD TAPE LENGTH.



8.トップテープの剥離強度：0.1～1.3N (10.2～132.5gf)(剥離方向は下図参照)
 PEELING OFF FORCE OF TOP TAPE
 (PEELING DIRECTION AS SHOWN IN FOLLOWING FIGURE)
 尚、本規格値は、出荷時に適用。(但し、輸送時に剥離が発生しないこと)
 THIS REQUIREMENT SHOULD BE APPLIED AT SHIPMENT.
 PEEL OFF SHOULD NOT BE ALLOWED, DURING TRANSPORTION.



9.材料

MATERIAL

キャリアテープ：ポリプロピレン(PP)

CARRIER TAPE : POLYPROPYLENE

トップテープ：ポリエステル(PET),ポリエチレン(PE),ポリエチレン フラノエート(PEF),

TOP TAPE : POLYESTER, POLYETHYLENE, POLYETHYLENE FURANOATE

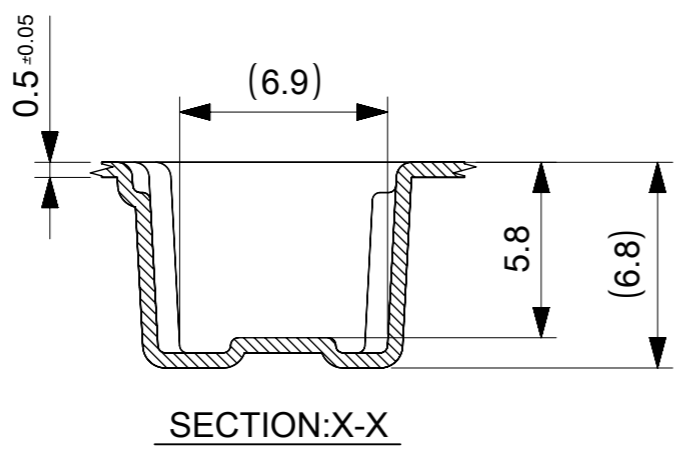
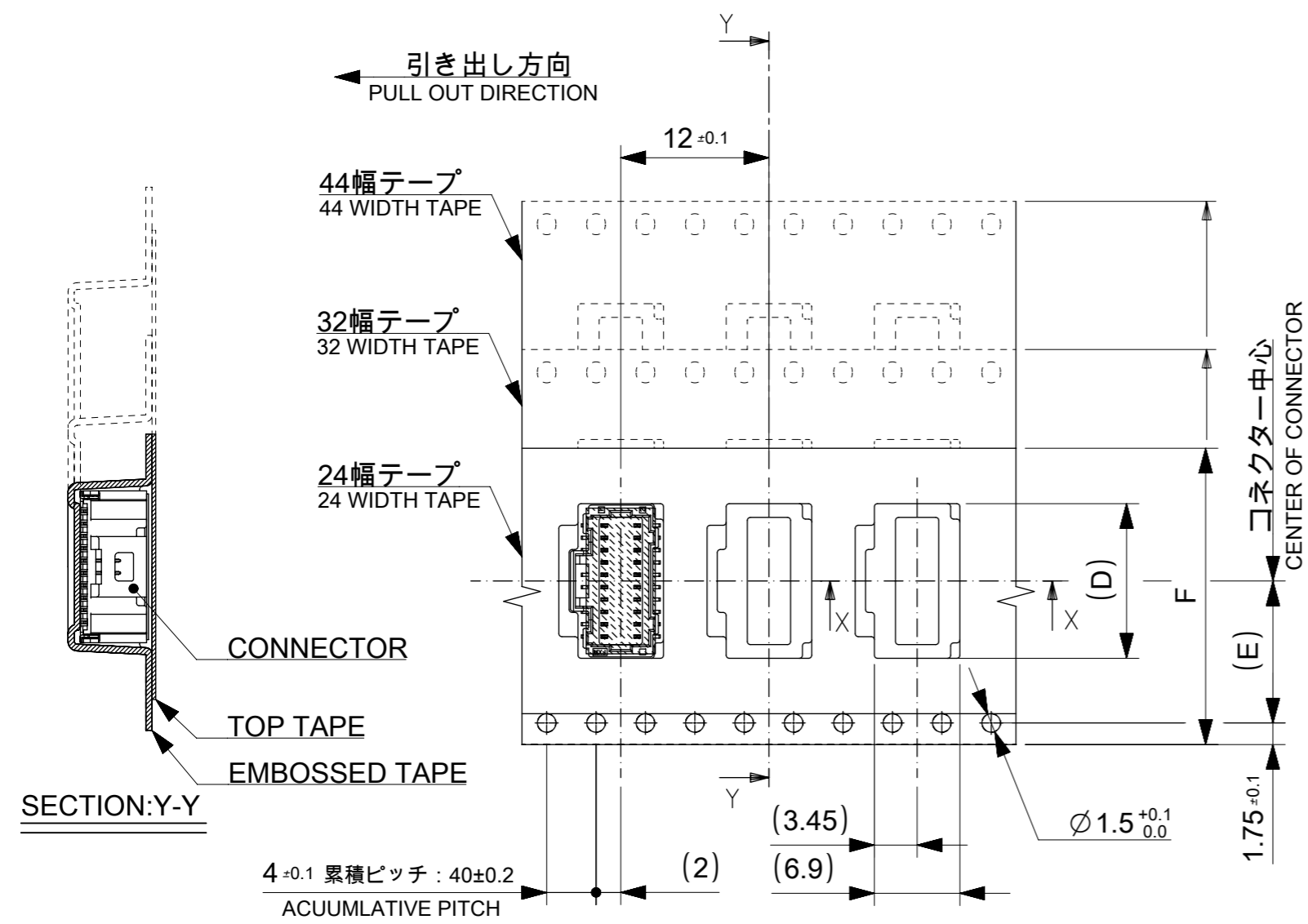
リール：ポリスチレン(PS),(リサイクル材を含む)

REEL : POLYSTYRENE (RECYCLE MATERIAL CONTAINED)

THIS DRAWING CONTAINS INFORMATION THAT IS PROPRIETARY TO MOLEX ELECTRONIC TECHNOLOGIES, LLC AND SHOULD NOT BE USED WITHOUT WRITTEN PERMISSION

EC NO: 168346 DRWN: KYAMADA02 CHK'D: SAKIYAMA APPR: TKANEKO	2017/11/13	GENERAL TOLERANCES (UNLESS SPECIFIED)		DIMENSION UNITS	SCALE	
	2017/11/30	ANGULAR TOL ± 3.0 °		mm	1:1	
	2017/12/01	4 PLACES ± 0.2	DRWN BY	DATE		
		3 PLACES ± 0.2	KYAMADA02	2017/11/13		
		2 PLACES ± 0.2	CHK'D BY	DATE		
	1 PLACE ± 0.2	SAKIYAMA	2017/11/30			
	0 PLACES ± 0.2	APPR BY	DATE			
		TKANEKO	2017/12/01			
		DRAFT WHERE APPLICABLE MUST REMAIN WITHIN DIMENSIONS	DRAWING SIZE	THIRD ANGLE PROJECTION		
			A3			

PICO-CLASP 1.0W/B DUAL-ROW ST WAFER ASSY 20-50CKT (GOLD VERSION 0.38)			
PRODUCT CUSTOMER DRAWING			
SERIES	MATERIAL NUMBER	CUSTOMER	
203564	SEE CHART	GENERAL	
DOCUMENT NUMBER	DOC TYPE	DOC PART	SHEET NUMBER
2035642017-SD	PSD	000	2 OF 3



45.5	44 \pm 0.3	20.2	27.6	50
			22.6	40
33.5	32 \pm 0.3	14.2	17.6	30
25.5	24 \pm 0.3	11.5	12.6	20
G	F CARRIER TAPE WIDTH	(E)	(D)	CKT

THIS DRAWING CONTAINS INFORMATION THAT IS PROPRIETARY TO MOLEX ELECTRONIC TECHNOLOGIES, LLC AND SHOULD NOT BE USED WITHOUT WRITTEN PERMISSION

EC NO: 168346 DRWN: KYAMADA02 CHK'D: SAKIYAMA APPR: TKANEKO	2017/11/13	GENERAL TOLERANCES (UNLESS SPECIFIED)		DIMENSION UNITS	SCALE	
	2017/11/30	ANGULAR TOL \pm 3.0 °		mm	1:1	
	2017/12/01	4 PLACES	\pm 0.2	DRWN BY	DATE	
		3 PLACES	\pm 0.2	KYAMADA02	2017/11/13	
		2 PLACES	\pm 0.2	CHK'D BY	DATE	
		1 PLACE	\pm 0.2	SAKIYAMA	2017/11/30	
		0 PLACES	\pm 0.2	APPR BY	DATE	
				TKANEKO	2017/12/01	
DRAFT WHERE APPLICABLE MUST REMAIN WITHIN DIMENSIONS				DRAWING SIZE	THIRD ANGLE PROJECTION	PICO-CLASP 1.0W/B DUAL-ROW ST WAFER ASSY 20-50CKT (GOLD VERSION 0.38)
				A3		
				PRODUCT CUSTOMER DRAWING		
RELEASE STATUS		P1	RELEASE DATE	01.12.2017	05:26:12	SERIES
						203564
						MATERIAL NUMBER
						SEE CHART
						CUSTOMER
						GENERAL
						DOCUMENT NUMBER
						2035642017-SD
						DOC TYPE
						PSD
						DOC PART
						000
						SHEET NUMBER
						3 OF 3