

TY - 300 P

Description:

The TY series transformers are used for a variety of applications including impedance matching, isolation, repeat coil, line balancing, bridging and hybrid circuit.

Electrical Specifications at 25° C:

| Impedance (Ohms) | | Max. DC Current (mA) | Typ. Insertion Loss (dB) | Typ. Return Loss (dB) | Trans-Hybrid Loss (dB) | DCR (Ohms) | |
|---------------------|---------|----------------------------|--------------------------------|-----------------------------|------------------------------|---------------|-------|
| Pri | Sec | | | | | Pri | Sec |
| 600 (4W) | 600/600 | 0 | .80 | 30 | 50 | 172 | 66/66 |

Designed to meet FCC Part 68

Longitudinal Balance: (FCC 68.310) – 60 dB min. 200 – 1000 Hz
45 dB min. 1000 – 4000 Hz

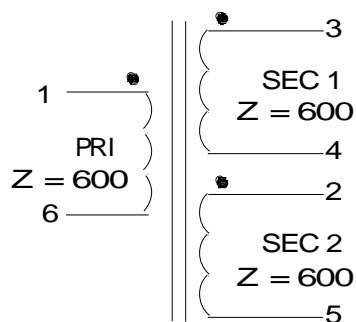
Dielectric Strength: (FCC 68.304) – 1500VAC

Power Level: -45 dBm to +7 dBm

Frequency Range: 300 to 3500 Hz

Operating Temperature: -20°C ~ 85°C

Electrical Schematic:



RoHS Compliance: As of manufacturing date February 2016, all standard products meet the requirements of 2015/863/EU, known as the RoHS 3 initiative.

*Upon printing, this document is considered “uncontrolled”. Please contact Triad Magnetics website for the most current version. For soldering and washing information please see <http://www.triadmagnetics.com/faq.html>

